

⚠ WARNING

- ⊘ Do not use it for an engine model. There is a danger of waking up loose connection, for a vibration peculiar to an engine model. Moreover, loose connection will be woken up if fuel is applied to a wiring junction.
- ❗ **Turn on the power in transmitter → receiver order. In addition, always check the operation of all the servos before flight.**
- ⊘ **Do not insert or remove the servo connector while the receiver power is ON.** Since the S.BUS2 servo switches the operation mode automatically according to the type of signal (S.BUS signal/PWM signal) from the receiver, if the connector is inserted or removed while the power is ON, an S.BUS connected servo will be erroneously recognized and may stop.
- ⊘ **Do not leave the servo in the locked state.** Leaving the servo in the locked state (state in which enough force is applied that the servo cannot move) may cause smoke, fire, and damage.
- ⊘ **Never connect the battery in reverse.** Reverse connection may cause smoke, fire, and damage.
- ⊘ **Do not expose the servo to dust and water.** The servo does not have a waterproof construction. If it gets wet, the servo may not operate or the power supply may short circuit.
- ❗ **When installing the servo, check PUSHROD LINKAGE** to make sure there is no binding in order to prevent excessive power consumption and decrease the life of the motor and battery.

⚠ CAUTION

- ⊘ **Do not touch the servo case immediately after servo operation.** You may be burned because the motor and circuits inside the servo become hot.
- ⊘ **Do not turn the servo horn with unreasonable force.** The servo may be damaged.
- ⊘ **Do not disassemble or modify the servo.** The servo has a precision construction. Futaba Corp. will not be responsible for any disassembly or modification other than those specified by us.
- ⊘ **Do not drop the servo or expose it to strong shocks or vibrations.** It will damage with a shock.
- ❗ **Use the servo as an actuator in hobby applications.** Futaba will not be responsible if the servo is used in applications other than the above.

Futaba will not be responsible for damage, etc. caused by the use of parts other than Genuine Futaba parts.

• Current consumption

This servo is designed to be used with models which require especially high torque and high speed. For this reason, a large current flows during servo operation. Therefore, decide the safe number of uses by paying careful attention to the remaining battery capacity.

• Power supply

Use the battery as specification. Use a battery or a voltage regulator with an ample margin as the power supply. The specified performance cannot be displayed with a dry cell battery.

Even if using a receiver with the BATTERY FAIL SAFE function, it may not operate correctly. Therefore always check the battery voltage and charge the battery quickly.

• System use

For full performance, 2.4GHz system is recommended.

• Programming function

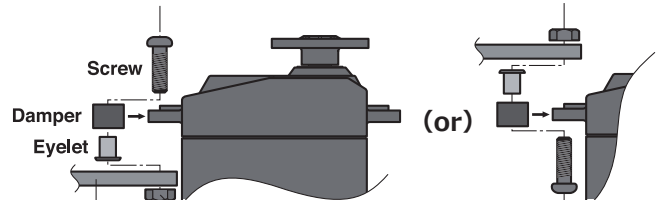
This servo can be connected to a PC by using the CIU-2 USB Adapter sold separately and its various operating characteristics can be changed as a programmable servo by means of dedicated software "S-Link". S-Link is downloadable from a Futaba WEB site. However, channel setting and other operating characteristics settings cannot be made with the existing S.BUS PCLink software. Depending on a setup, a servo carries out vibration. If a servo continues carrying out vibration, it will break, please restore a setup.

• Soft start

In order to protect the linkage, only the first operation when the power is turned on moves the servo to the specified position slowly. When a new control signal enters while the soft start is operating, it become normal operation at once.

[Servo Mounting Precautions]

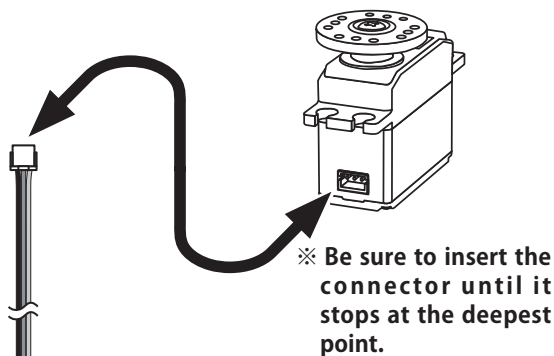
- Use attached dampers and eyelets correctly.



i - Connector (SVi type)

- The servo of SVi series is used for EP model.
- Connector exchange of a servo

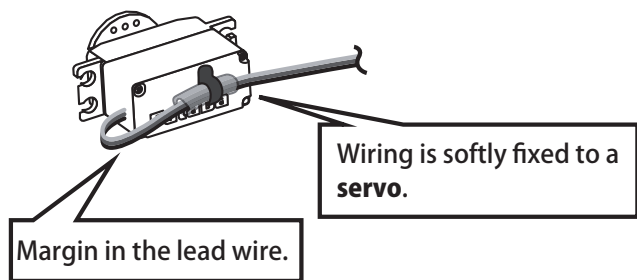
The servo of SVi series is exchangeable for the connector which suited your model. Please choose out of the i-connector prepared as an option. Moreover, while the connector is fixed to the model, a servo is removed and there is a maintainable advantage.



● i-Connector for SVi servos (Option)

Exchange with i-connector of each length is possible.

The fixed example of a lead wire (inside of the fuselage)



*The part of wiring fixation is not contained in this product.

⚠ WARNING

- ❗ Be sure to insert the connector until it stops at the deepest point.
- ❗ **To prevent the servo lead cable from being broken by vibration during flight, provide a little slack in the cable and fasten it at suitable points (fixes to a servo case). Periodically check the cable during daily maintenance.**
- ⊘ **Do not apply a vibration strong against a servo and a connector.**

About the S.BUS/S.BUS2 system

What is S.BUS?

Different from conventional radio control systems the **S.BUS** system uses data communication to transmit control signals from a receiver to a servo, gyro, or other **S.BUS** compatible device.

This data includes commands such as “move the channel 3 servo to 15 degrees, move the channel 5 servo to 30 degrees” to multiple devices. The **S.BUS** devices execute only those commands for their own set channel. For this reason, it can be used by connecting multiple servos to the same signal line.

Many **S.BUS** servos is in the connected state, one servo of them can be set it up.

The **ID code** of each servo is used for it. **ID code** is indicated on the seal of the case.

After carrying in a model, it is convenient, if you use attached ID seal and CH seal when ID cannot be seen.

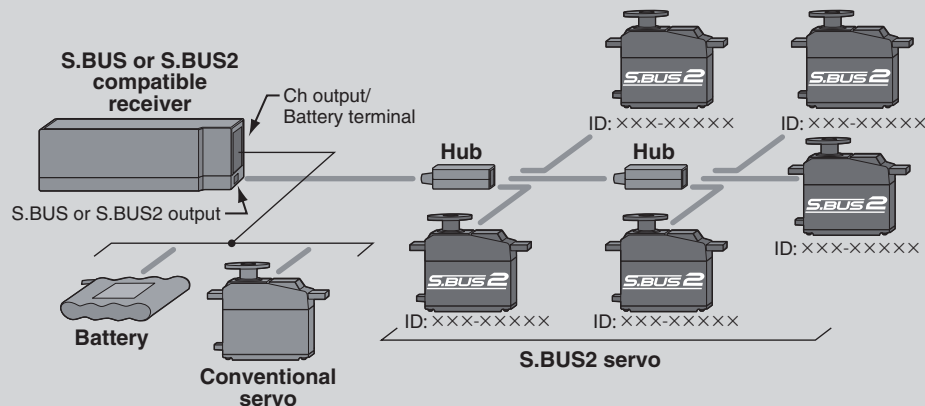
S.BUS2 servo → it can be used in **S.BUS2** and **S.BUS** port.

S.BUS servo → it cannot be used in **S.BUS2** port.

S.BUS2

Using the **S.BUS2** port an impressive array of telemetry sensors may be utilized. This servo is connectable with the both sides of **S.BUS** and **S.BUS2** port.

[Connection by S.BUS/S.BUS2 system]



* Can also be used together with conventional servos.

* **Items required:** S.BUS or S.BUS2 receiver, S.BUS2 servo, S.BUS hub, SBC-1 channel changer or CIU-2 USB serial interface.

[Procedure for use with the S.BUS/S.BUS2 system]

1. Set the channel at the S.BUS2 servos.

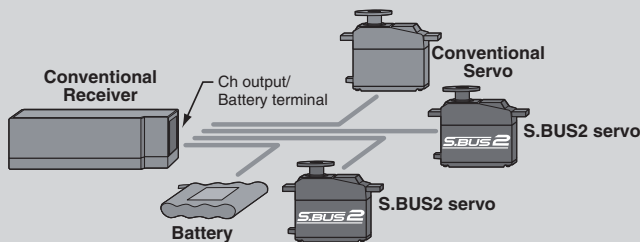
Set the channel at the **S.BUS2** servos by using an **S.BUS** channel setup compatible receiver, an **SBC-1** channel changer or **CIU-2** USB serial interface .

* Refer to the **S.BUS** compatible receiver, the channel changer or setting program instruction manual for the **S.BUS** servo channel setting method.

2. Connect the servos to an S.BUS or S.BUS2 compatible receiver.

Connect the servos from the **S.BUS** or **S.BUS2** port of the **S.BUS** or **S.BUS2** compatible receiver via **S.BUS** hubs.

[Connection to conventional receiver]



* Operation is the same as that of a conventional servo.

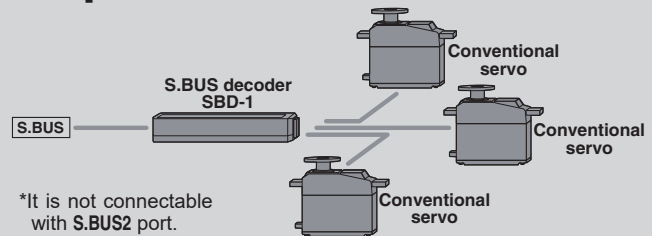
* **Items required:** Receiver, S.BUS2 servo, CIU-2 (if changing the servo settings)

[Operation by conventional radio control]

An **S.BUS2** servo connected to a conventional receiver operates as a conventional servo. The channel becomes the receiver connection point.

*The contents set by programmable function are effective.

[Method of connecting conventional servo to S.BUS]



*It is not connectable with S.BUS2 port.

* **Items required:** S.BUS receiver, SBD-1 S.BUS decoder, servo, SBC-1 channel changer or CIU-2 USB serial interface

[Connecting conventional servos to the S.BUS]

Conventional servos can be connected to the **S.BUS** by using an **SBD-1**. The servo channel is set at the **SBD-1**.

* Refer to the **SBD-1** instruction manual for the **SBD-1** channel setting method.

Futaba

BRUSHLESS
MOTOR

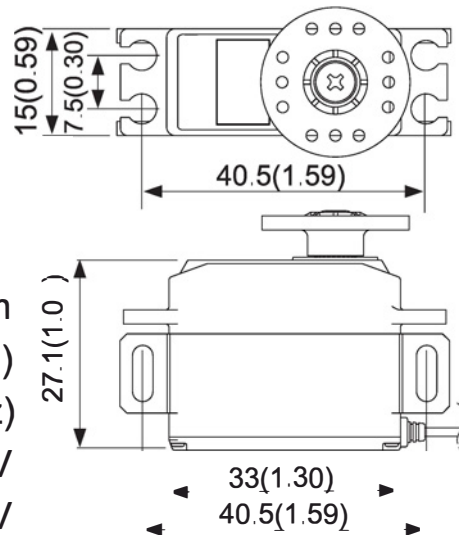
High Voltage System

S.BUS 2

HV BLS671SV

BLS671SV BRUSHLESS MOTOR

		at 6.6V	at 7.4V
SPEED	(sec/60°)	0.11	0.10
TORQUE	(kgf · cm)	7.4	8.3
	(ozf · in)	102.8	115.3
SIZE		33.0×15.0×27.1 mm (1.30×0.59×1.07 in)	
WEIGHT		28.0g (0.99 oz)	
RATED VOLTAGE		DC6.0V~7.4V	
OPERATING VOLTAGE		DC4.0V~8.4V	



No dry battery use

Unit : mm(in)