

# Eureka!

## Cooking Stove Instructions



Ignite (Model: 2572193)



Ignite Plus (Model: 2572195)

# Eureka!

Ignite (Model: 2572193)

Ignite Plus (Model: 2572195)

**Important:** Read these warnings and instructions carefully prior to assembling or using this product. Fully familiarize yourself with this product before connecting it to a fuel source. Keep these instructions for future reference.

## WARNING

**USE OUTDOORS IN A WELL-VENTILATED AREA ONLY**

## WARNING

### **FIRE OR EXPLOSION HAZARD**

**If you smell gas:**

- 1. Do not attempt to light appliance.**
- 2. Extinguish any open flame.**
- 3. Disconnect from fuel supply**
- 4. Evacuate immediately.**
- 5. Allow gas to dissipate 5 minutes before relighting the appliance.**

**Failure to follow these instructions could result in fire or explosion, which could cause property damage, personal injury, or death.**

## **FOR YOUR SAFETY**

**Do not store or use gasoline or other flammable vapors and liquids in the vicinity of this or any other appliance.**



# DANGER

## CARBON MONOXIDE HAZARD

This appliance can produce carbon monoxide which has no odor.

Using it in an enclosed space can kill you

Never use this appliance in an enclosed space such as a camper, tent, car or home.



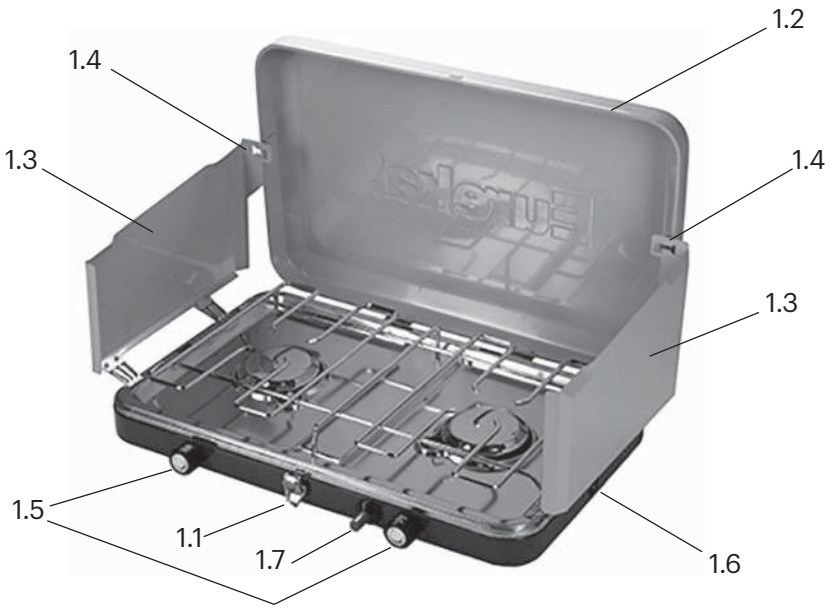
## WARNING

- Do not modify this appliance. This may be hazardous and will void the warranty.
- Burn Hazard - Stove Parts may become very hot.
- Burn Hazard - Keep away from children.
- Do not leave stove unattended while in use. Hazardous conditions may occur.

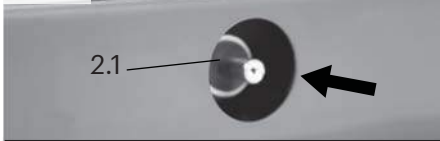
## TABLE OF CONTENTS

GENERAL WARNINGS	1-2
FIGURES	3
SPECIFICATIONS	4
LEAK CHECK PROCEDURE	4
ASSEMBLY	5
OPERATION INSTRUCTIONS	6
STORAGE AFTER USE	7
MAINTENANCE	7
TROUBLESHOOTING	7
WARRANTY INFORMATION	7

**Fig. 1**



**Fig. 2**



**Fig. 3**



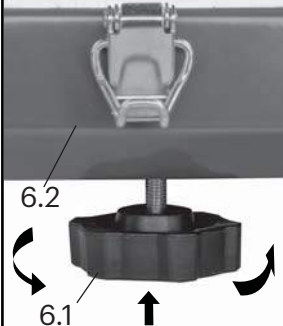
**Fig. 4**



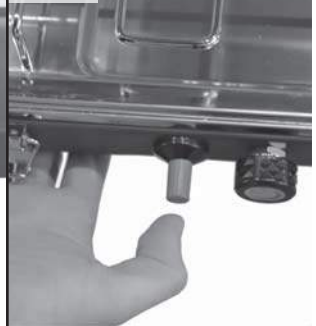
**Fig. 5**



**Fig. 6**



**Fig. 7**



## SPECIFICATIONS

**Gas Category:** Propane under vapor pressure. This appliance should only be used with 16.4 oz disposable propane cylinders (sold separately). It may be hazardous to attempt to fit other types of gas canisters.

The LP-gas cylinder(s) used with this stove must be constructed and marked in accordance with the specifications for LP-gas cylinders of the U.S. Department of Transportation or Transport Canada, CAN/CSA B339.

**Jet Size:** 0.35mm **Gas Consumption (per burner):** 10,000 BTU/hr

## LEAK CHECK PROCEDURE

- Perform Leak Checks outside, in a well-ventilated area.
- Connect Propane Cylinder (4.1) (sold separately) into Fuel regulator (4.2) by threading clockwise in the orientation shown in (Fig. 4).
- Put soapy water on the gas connection between fuel source and the Regulator. Formation of bubbles indicate a gas leakage.

### **WARNING**

If a leak is detected, do not attempt ignition. Vapors can ignite and cause serious injury. Remove fuel source immediately and contact Customer Service.

- If no leak is found, detach fuel source. Leak check is complete.

## ASSEMBLY

### **WARNING**

For safe use of your product and to avoid serious injury:

- Perform leak checks outside, in a well-ventilated area.
  - Operate at least 1m/3.3ft away from combustible materials and ignition sources.
  - Before each use: Keep stove area clear and free from combustible materials, gasoline, and other flammable vapors and liquids.
  - Do not obstruct the flow of combustion and ventilation air to the stove.
- Place stove on a flat, level surface, at least 1m/3.3ft away from any combustible materials or ignition sources.
  - Perform LEAK CHECK PROCEDURE (see pg. 4) before proceeding.
  - Release the latch (1.1) to open the lid (1.2). Open side-windcreens(1.3) and secure by inserting tabs into latches in the lid (1.4).
  - Ensure that both control valves (1.5) are closed firmly (rotate clockwise).
  - Check that Gasket (2.1) at Fuel Input connection (1.6) is in place and in good condition before connecting to the Regulator.

### **WARNING**

Do not use the appliance if it has damaged or worn seals; this may result in gas leakage.

- Connect Fuel Regulator (3.1) to the Fuel Input port (1.6) located on the center of the right side of the stove by threading Coupling clockwise.
- Connect Propane Cylinder (4.1) (sold separately) into Fuel regulator (4.2) by threading clockwise in the orientation shown in Fig. 4.

### **WARNING**

Never operate stove with Propane Cylinder in an inverted position (Fig. 5). Flaring can occur.

(For Ignite Plus Stoves Only)


- Install the four adjustable feet (6.1) into stove base (6.2) by threading clockwise as shown in Fig. 6.

## OPERATING INSTRUCTIONS

### WARNING

- Keep burner at arm's length, away from face, during ignition. Flame can erupt and flare during ignition.
- Never expose stove to flammable vapors or liquids while lighting the burner. It can cause an explosion or fire.
- Do not move, lift, or tilt stove with lit burner(s). Flaring may occur.
- Always check that the burners are extinguished before disconnecting the fuel source. Vapors can ignite and cause serious injury.

### Lighting the Burners:


 CAUTION Remove all vessels from cooking surfaces prior to lighting.

- Open either control valve (1.5) counterclockwise until fully opened and gas flow can be heard.  
Note: Our advanced Simmer Control technology requires 2 complete rotations to achieve full gas flow.
- To light, depress igniter button (1.7) as shown in Fig. 7. Repeat as necessary.
- If ignition does not occur within 5 seconds, close control valves (1.5) and wait 5 minutes before repeating the procedure.

**Cooking:** Rotate control valve (1.5) of the lit burner clockwise to decrease flame setting.

Note: Our advanced Simmer Control technology allows 2 complete rotations of flame adjustment.

**After Use:** Turn off open control valves (1.5) (tighten clockwise) to extinguish flame to each burner.

 WARNING Always check that the burners are extinguished before disconnecting the fuel source. Vapors can ignite and cause serious injury.

Always disconnect fuel cylinder from Regulator after use.

## STORAGE AFTER USE

- Allow stove to cool before storing.
- Always disconnect fuel cylinders before storing the stove.
- Ensure stove is clean and dry before storing.
- Store the stove in a cool, dry location, indoors.

### NOTICE

To avoid dust and cobweb buildup, which can effect stove performance, store the stove in a sealed bag or container.

## MAINTENANCE

**Flame Check (Every use):** The height of the flame should increase from low to high with counter-clockwise rotation of the control knobs. Flame should be blue with minimal yellow tipping. If flame abnormalities are found, refer to Troubleshooting Section.

**Cleaning Stove (Before storage, or as needed):** Turn stove off. Allow stove to cool before cleaning. Do not use a dishwasher or abrasive compounds to clean. Only wash by hand with soapy water.

## TROUBLESHOOTING

**Flame does not extinguish:** Tighten control valve as much as possible. Manually blow out flame. Once flame is extinguished, immediately detach fuel source. See your dealer or contact Eureka! for service.

**Igniter fails to spark:** If stove is wet, igniter may fail to spark. If igniter fails to spark, use matches or a lighter, following instructions detailed in OPERATING INSTRUCTIONS – Lighting the Burners. See your dealer or contact Eureka! for service if igniter fails to spark for any other reason.

If an issue cannot be corrected using these instructions, see Limited Warranty below.

Contact your local dealer, distributor, or Eureka! for parts and/or service.

## WARRANTY INFORMATION

This product is covered by a 1 year limited warranty.



ANSI Z21.72-2016 / CSA 11.2 – 2016