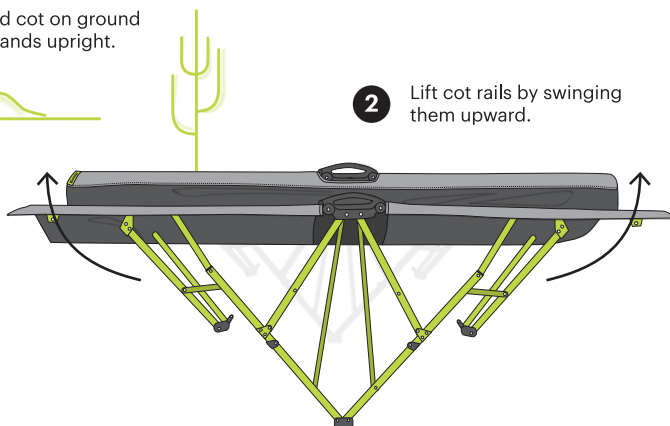
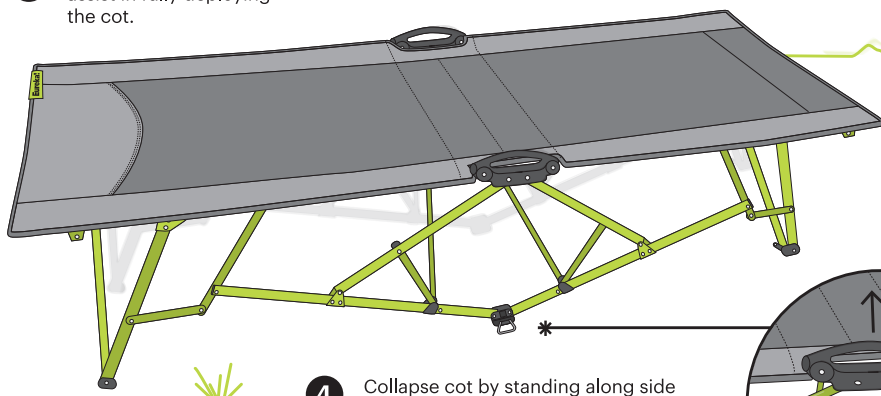


- 1** Place folded cot on ground so that it stands upright.

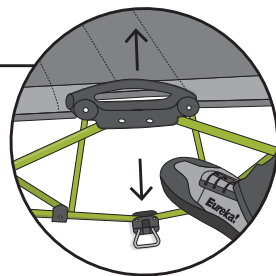


- 2** Lift cot rails by swinging them upward.

- 3** Lifting the cot rails will assist in fully deploying the cot.



- 4** Collapse cot by standing along side of the cot rail. Place foot on silver foot anchor and pull upward on the rail handle to collapse the cot.



### FURNITURE CARE

- Weight limit: 300lbs
- Keep away from open flame
- Use on level ground
- Use caution to avoid injuring fingers when opening/closing

### WARRANTY

- Your Eureka! furniture is covered by a one year warranty.