

EP4 Sonic Defenders® Plus



Two Levels of Protection Against Two Types of Noise

Filtered EP4 Sonic Defenders *Plus* provide two levels of protection—with their attached filter caps in or out—against two types of noise: continuous noise (example: loud roar of an engine) and impulse noise (example: gunshot). With the filter caps out of the noise-reducing filters, loud potentially dangerous sounds (above 85dB) are lowered while safe-level ambient sounds and conversations are allowed to pass through and be heard. With the filter caps inserted, additional hearing protection is afforded and ambient sounds and conversations are blocked. *FOR PROTECTION WITH THE ABILITY TO HEAR AMBIENT SOUNDS, leave filter caps out, or pry out with your fingernail if already inserted. FOR MAXIMUM PROTECTION OR SITUATIONS WHERE YOU DON'T WANT TO HEAR AMBIENT SOUNDS, insert filter caps into filter holes and push in until snug.*

NOISE ATTENUATION DATA

NOISE REDUCTION RATING (NRR)

EP4 Sonic Defenders *Plus* - FILTER CAPS OUT

ATTENUATION DATA (ANSI STD S3.19-1974)

Test Frequencies (Hz)	125	250	500	1000	2000	3150	4000	6300	8000	NRR
Mean Attenuation (dB)	9.7	10.5	15.6	20.4	29.0	32.0	28.2	30.2	36.9	12
Standard Deviation (dB)	3.7	3.4	2.4	3.0	3.0	5.8	5.6	5.5	5.7	

Noise Reduction Rating **12** Decibels
(when used as directed)

THE RANGE OF NOISE REDUCTION RATINGS FOR EXISTING HEARING PROTECTORS IS APPROXIMATELY 0 TO 30. HIGHER NUMBERS DENOTE GREATER EFFECTIVENESS.

SureFire® Fountain Valley, CA EP4 Sonic Defenders® Plus
Federal law prohibits removal of this label prior to purchase.

EPA U.S. EPA REGULATION 40 CFR PART 101, SUBPART B

WITH FILTER CAPS OUT

EP4 Sonic Defenders *Plus* - FILTER CAPS IN

ATTENUATION DATA (ANSI STD S3.19-1974)

Test Frequencies (Hz)	125	250	500	1000	2000	3150	4000	6300	8000	NRR
Mean Attenuation (dB)	31.7	29.3	32.9	30.5	35.6	37.2	35.0	34.4	37.7	24
Standard Deviation (dB)	5.4	4.6	4.3	3.2	4.1	4.2	3.6	4.1	5.5	

Noise Reduction Rating **24** Decibels
(when used as directed)

THE RANGE OF NOISE REDUCTION RATINGS FOR EXISTING HEARING PROTECTORS IS APPROXIMATELY 0 TO 30. HIGHER NUMBERS DENOTE GREATER EFFECTIVENESS.

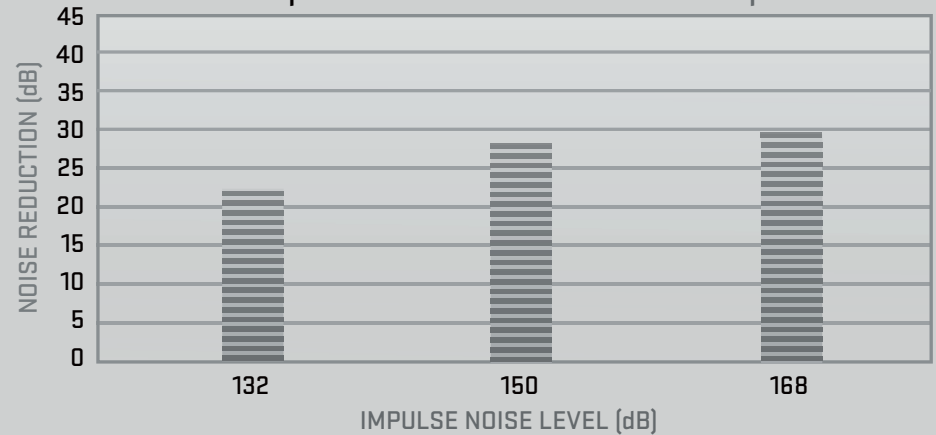
SureFire® Fountain Valley, CA EP4 Sonic Defenders®
Federal law prohibits removal of this label prior to purchase.

EPA U.S. EPA REGULATION 40 CFR PART 101, SUBPART B

WITH FILTER CAPS IN

WARNING: Improper fit of this device will reduce its effectiveness in attenuating noise. Follow instructions for proper fit. Failure to follow instructions could result in hearing loss and/or injury. EP4 Sonic Defenders *Plus* fit most people; however, no hearing protection fits everyone. If proper fit cannot be achieved following instructions, discontinue use. Do not use in environments with extreme air/water pressure or where abrupt pressure changes occur. EP4s should not be worn underwater in depths exceeding one meter.

EP4 Impulse Noise Reduction—Filter Caps Out

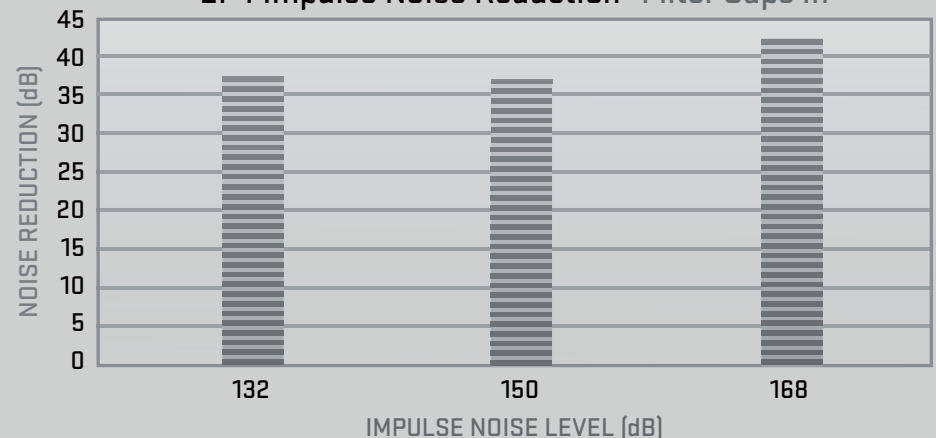


Average Peak Impulse Level dB Reduction

132 dB Overall Average PIL	23.9
150 dB Overall Average PIL	28.8
168 dB Overall Average PIL	30.0

ANSI S12.42-2010

EP4 Impulse Noise Reduction—Filter Caps In



Average Peak Impulse Level dB Reduction

132 dB Overall Average PIL	39.8
150 dB Overall Average PIL	40.7
168 dB Overall Average PIL	40.5

ANSI S12.42-2010

FITTING & TESTING



1. Starting with the EarLock® retention ring oriented slightly backward, rotate the earplug forward while inserting the stem of the red-filtered EP4 into the right ear canal deep enough for the uppermost flange to seal. Fit the retention ring to the natural contour of the concha bowl surrounding the ear canal to lock the earplug in place.
2. Check the seal by placing your fingertip over the outer hole of filter and then removing. Detection of a slight suction indicates a proper seal.
3. Repeat process with white-filtered earplug for left ear.
4. Test earplugs by clapping, with filter caps out. If no noticeable decrease in volume, reinsert and retest.
5. To block lower-level noise* in quiet environments and to maximize protection, insert attached filter caps into filter holes and push in until snug.

* Inserting filter caps negates noise-reducing filters' abilities to let ambient sounds and conversations pass safely through.

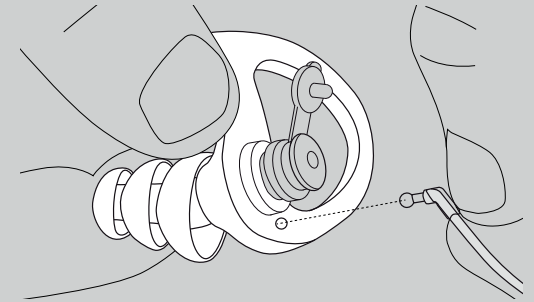
WARNING: If the instructions above are not adhered to, the protection afforded by EP4 Sonic Defenders *Plus* will be severely impaired.

STEM ADJUSTMENT

EP4 Sonic Defenders® *Plus* feature adjustable stems to maximize fit and comfort. To adjust stem, with earplug removed from ear, pull out or push in stem to lengthen or shorten for comfort.

CONNECTING/DISCONNECTING LANYARD

Remove twist tie and uncoil lanyard. Insert lanyard ends into small holes on the outside of EP4s, located beneath the noise-reducing filters, and push in until lanyard ends snap in place. To remove, pull gently on lanyard ends until they disconnect from earplugs.



CLEANING, STORAGE & PRODUCT LIFE

EP4 Sonic Defenders *Plus* typically last up to 6+ months, depending on usage and care. Clean with mild soap and water or alcohol swabs and allow to air dry. If exposed to salt water, rinse with fresh water and allow to air dry. Inspect earplugs regularly and replace when they become stiff and hardened. Store in a cool, dry place in the included container. Do not leave in direct sunlight. In extreme storage temperatures, filters may separate from stems. If this occurs, filters must be reinserted into stems before using.

RADIO COMMUNICATION SYSTEM USE

An EP4 earplug can also serve as an earpiece for compatible radio communication systems by simply removing its noise-reducing filter (store in a safe place for future use) and inserting the system's elbow connector into the hole previously occupied by the filter until snug.

NOTE: EP4s provide a reduced level of hearing protection with their noise-reducing filters removed.