



Deluxe Weight Bag INSTRUCTIONS

A.

Set up your shelter in its intended location and position Deluxe Weight Bag to the outside of shelter leg. To fill Deluxe Weight Bags, start by unzipping the heavy-duty zipper and open the lid. Carefully fill sand/gravel into the opened cylinder and make sure to fill just below the zipper. Once filled, zip shut and repeat.

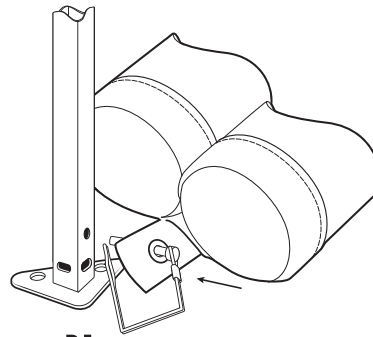


A weight bag is designed to hold 45lbs of sand. (sand not included)

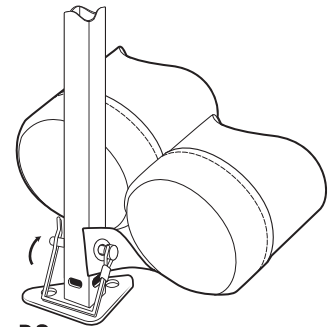
A.

B.

(B1.) Lay weight bag down next to the shelter leg and insert the quick release pin through the grommet on the strap. Continue on through hole in the shelter leg. (B2.) Swing the wire catch around to snap onto the end of the pin protruding from the leg.



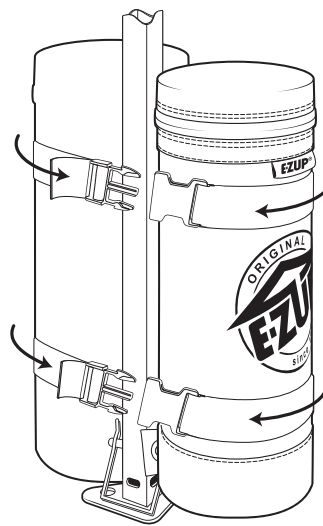
B1.



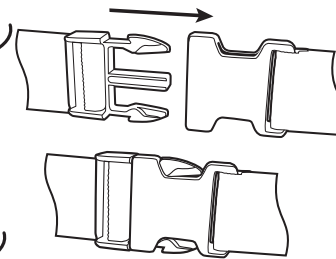
B2.

C.

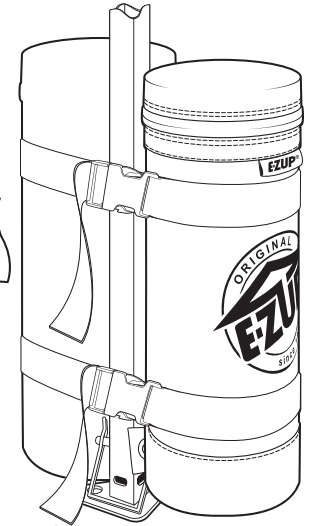
(C.1) Stand the weight bag up and wrap the buckle latch attachment straps around the shelter leg. (C.2) Fasten the buckle. (C.3) Pull the Buckle latch attachment strap tight to secure weight bag to each leg.



C1.



C2.



C3.

FABRIC CARE

The weight bag fabric can be cleaned with mild soap (not detergent) and water once the sand is removed. Let the fabric dry completely before storing.

WARNING!

Always weight down your E-Z UP® shelter. Do not leave your E-Z UP® shelter unattended. Do not depend on Weight Bags to secure shelter in heavy winds. For your safety, take your E-Z UP® shelter down in any potentially windy or rainy weather.