

UV and Solar Radiation Sensor Installation Addendum

When installing and leveling the sensors, it is important to make sure that their diffusers are not shaded by the rim of the rain cone.

For the UV sensor, make sure the entire comb structure is above the rim of the rain cone.

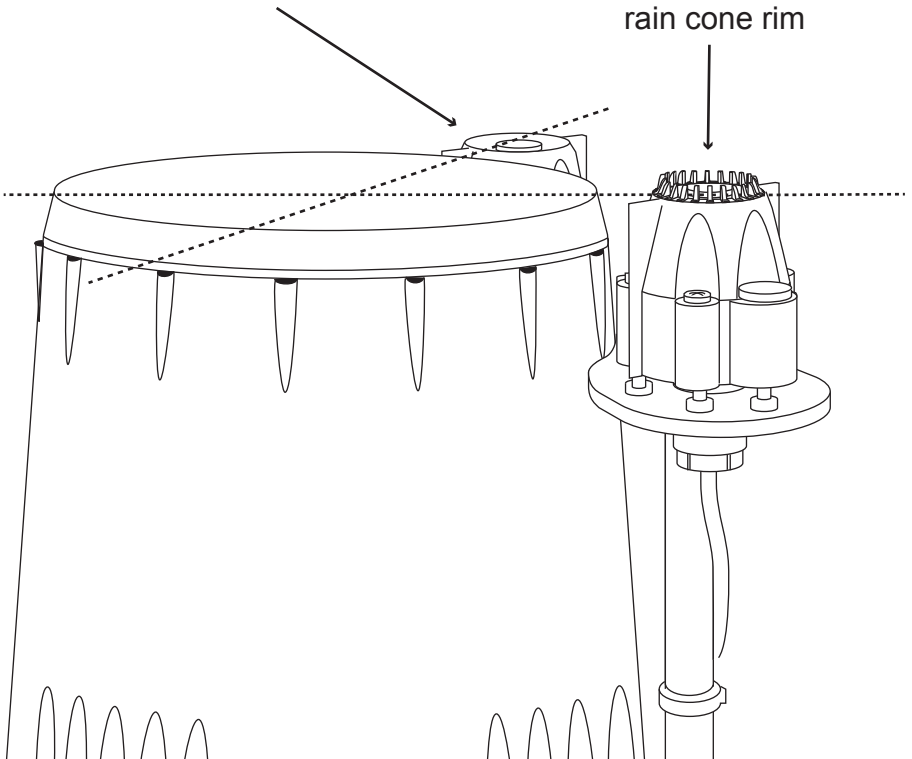
For the Solar Radiation sensor, make sure the top of the sensor body is even with or above the rim of the rain cone.

Solar Radiation Sensor

Top should be even with or
above rain cone rim

UV Sensor

Entire comb structure
should be above
rain cone rim



Davis Instruments

[View other weather radios and stations made by Davis Instruments on our website.](#)
