

POWERLINE.

MODEL 5501 By Daisy

CO2 SEMI-AUTOMATIC with BLOWBACK ACTION



HIGH VELOCITY OVER 350 FPS
16+ For Ages 16 And Older
With Adult Supervision.

.177 cal BB (4.5 mm) STEEL AIRGUN SHOT ©
12gm. CO2 cylinder only

WARNING: NOT A TOY. ADULT SUPERVISION REQUIRED. MISUSE OR CARELESS USE MAY CAUSE SERIOUS INJURY OR DEATH. MAY BE DANGEROUS UP TO 209 YARDS (192 METERS).

THIS IS A HIGH POWER AIR GUN RECOMMENDED FOR USE BY THOSE 16 YEARS OF AGE OR OLDER. READ ALL INSTRUCTIONS BEFORE USING. THE PURCHASER AND USER SHOULD CONFORM TO ALL LAWS GOVERNING USE AND OWNERSHIP OF AIR GUNS.

WARNING: THIS GUN CAN CAUSE DEATH IF CARELESSLY USED OR MISUSED. READ AND FOLLOW THE INSTRUCTIONS CAREFULLY. DO NOT LOAD ANY BBs INTO THE GUN UNTIL YOU ARE READY TO SHOOT. IF YOU DO LOAD BBs INTO THE GUN AND THEN DECIDE NOT TO SHOOT, EITHER MANUALLY REMOVE THE BBs FROM THE GUN OR SHOOT THE REMAINING BBs AT A SAFE TARGET. AN UNLOADED, NON-PRESSURIZED GUN WHICH IS "ON" SAFETY IS SAFEST. ACCIDENTS HAPPEN FAST, AND ACCIDENTALLY INJURING OR KILLING SOMEONE IS A TERRIBLE THING. PLEASE SHOOT SAFELY.

WARNING: This safety alert symbol indicates important safety messages in this manual. When you see this symbol, be alert to the possibility of personal injury and carefully read the message that follows.

This PowerLine CO2 pistol shoots with much more muzzle energy than most BB and pellet guns. Use extreme caution when operating this gun.

Although your new PowerLine CO2 pistol is not a firearm, it has lethal potential and should be treated with the caution and respect due any conventional firearm. Like a firearm, your PowerLine CO2 pistol, when misused or carelessly used, can kill or seriously injure the shooter or other persons. Always remember, the first and most important safety feature of any gun is the shooter. All safeties are mechanical devices and the shooter is the only part of the system that can make a gun safe—or unsafe. DON'T DEPEND ON MECHANICAL SAFETIES—think ahead and avoid situations that might lead to accidents.

Guns differ in their operation, and you are never ready to fire any gun until you are thoroughly familiar with it. Read the following operating instructions and WITHOUT LOADING ANY AMMUNITION, proceed through the operating steps, dry firing your gun with CO2 only several times at a safe target. This will enable you to learn to operate this PowerLine pistol properly and safely.

PRIOR TO OPERATION

Put "ON" SAFE – NO RED SHOWING (refer to Operation Step 1).

OPERATION STEPS:

WARNING: Be sure gun is always pointed in a safe direction. Never point the gun at anyone. Always assume and treat the gun as if it were loaded and ready to fire.

Gun may continue to be fired (Steps 5 and 6) until the BB clip is empty or the CO2 cylinder needs to be replaced. Once the BB clip is empty, Steps 1,3,4,5,6, and 7 should be followed. If the CO2 cylinder is empty, then all 7 Steps should be followed. (Up to 80 shots can be expected per CO2 cylinder).

- | | |
|---|---|
| Step 1. Put "ON" safety - No red showing. | Step 5. Aim at a safe target. |
| Step 2. Insert CO2 Cylinder | Step 6. Take "OFF" safety - Red showing. |
| Step 3. Insert loaded clip into gun | Step 7. Fire. |
| Step 4. Cock | Step 8. Put "ON" safety - No red showing. |

NEVER STORE A LOADED GUN

At the end of a shooting session, as a safety precaution, always put the safety in the "S" safe position - NO RED SHOWING, remove CO2 cylinder and remove BBs from the BB Clip. Store in a safe place to prevent unauthorized use.

HOW TO OPERATE

WARNING: Be sure gun is always pointed in a safe direction. Never point the gun at anyone. Always assume and treat the gun as if it were loaded and ready to fire.

STEP 1. PUT SAFETY ON "S" SAFE POSITION - NO RED SHOWING.

Move the safety to the rear of the gun to the "S" safe position - NO RED SHOWING (Fig. 2A).

CAUTION: Even when the safety is on "S" you should continue to handle the pistol safely. Don't point the gun at anything that you don't intend to shoot.

NOTE: The safety is manual and not automatic. It will only do its job when you do yours. With the index finger out of the trigger area, move the safety to the safe "S" position - NO RED SHOWING (Fig. 2). **REMEMBER, THE BEST SAFETY IS GOOD GUN HANDLING.**

STEP 2. INSERT CO2 CYLINDER

- Put "ON" safety - NO RED SHOWING.
- Remove clip by pushing the clip release button. (Fig. 1)
- Remove left grip cover by lifting the grip cover at the lower rear corner. (Fig. 3).
- Turn puncture screw counterclockwise until there is enough room to insert a CO2 cylinder.
- Insert the 12 gram CO2 cylinder, small end first, fully into the grip cavity. Hold the gun in an inverted position with the grip pointing up and the muzzle pointing away from you as shown (Fig. 3). Position the small end of the CO2 cylinder inside the retainer so that the CO2 cylinder touches the puncture pin (Fig. 3).
- While continuing to hold gun in an inverted position, replace the left grip cover, point the muzzle in a safe direction and turn the puncture screw clockwise to puncture the CO2 cylinder. (Fig. 4) Continue turning the screw RAPIDLY until finger tight. **NOTE:** A slight seepage of CO2 gas may occur until puncture screw is tight.

WARNING: Be sure the muzzle is pointed in a safe direction when puncturing a CO2 cylinder. In the event that a seal temporarily leaks while a CO2 cylinder is being punctured, the CO2 gas may escape through the barrel. If ammunition is jammed in the barrel from prior shooting, this could result in a projectile being shot.

WARNING: Use only 12 gram CO2 cylinders. Any attempt to use other types of gas cylinders could be extremely dangerous and could result in serious injury. Gasses other than CO2 could result in an explosion or rupture of the gun.

STEP 3. INSERT A LOADED BB CLIP INTO THE GUN

Always point gun in a safe direction. Insure that the gun is "ON" safe - NO RED SHOWING (see Operation Step 1).

Insert a loaded BB clip into the grip of the gun as shown (Fig. 5)

WARNING: Once the Clip is loaded with BBs and inserted into the gun it is considered to be loaded, so use extreme caution in handling the gun. Keep the gun pointed in a safe direction. Never point the gun at anyone. Always treat the gun as if it were loaded and ready to fire.

LOADING THE BB CLIP

- Attach the clip cap onto the top of the clip (Fig. 6-1).
- Slide the BB follower to the bottom of the clip and lock into the notch (Fig. 6-2).
- Insert 15 BBs into the loading port of the clip (Fig. 6-3).
- Slowly release the BB follower so the BBs will move to the top of the clip (Fig. 6-4).
- Remove the clip cap and insert the loaded clip into the grip of the gun (Fig. 5).

STEP 4. COCK

To cock the gun, While holding the gun firmly and pointing in a safe direction, grip the slide with your left hand and move fully to the rear of the gun and then back forward (Fig. 7). The cocking indicator at the rear of the gun (Fig. 8) will show a red bar when the pistol is in the cocked position.

The pistol can be uncocked without firing by sliding the DECOCKING button (Fig. 1) toward the front of the gun. You will be able to observe whether the gun is in the COCKED or UNCOCKED position by the cocking indicator (Fig. 8).

STEP 5. AIM AT A SAFE TARGET

To be a consistent marksman, use the correct sight picture each time you fire the pistol (Fig 9).

CAUTION: Due to the power of this CO2 PowerLine pistol, use extra precaution in selecting a safe target. Improper targets may cause ricochet.

STEP 6. PUT SAFETY IN "F" FIRE POSITION - RED SHOWING.

When you are certain that the target, back-stop and surrounding area is safe, position the safety in the "F" fire position - RED SHOWING (Fig. 2B). Pulling the trigger now will fire the gun.

STEP 7. FIRE

Make sure the gun is pointed at a safe target and slowly squeeze the trigger. Because the pistol is a semi-automatic, after firing the first shot the gun is automatically cocked and ready to fire the second shot. **KEEP THE PISTOL POINTED IN A SAFE DIRECTION.** Once the last BB has been shot from the gun, the receiver slide will remain locked in the back position. The slide can be released by pushing the SLIDE LOCK button (Fig. 10) downward.

STEP 8. PUT "ON" SAFETY - NO RED SHOWING.

After firing, return the safety to the "S" safe position - NO RED SHOWING (Fig 2A).

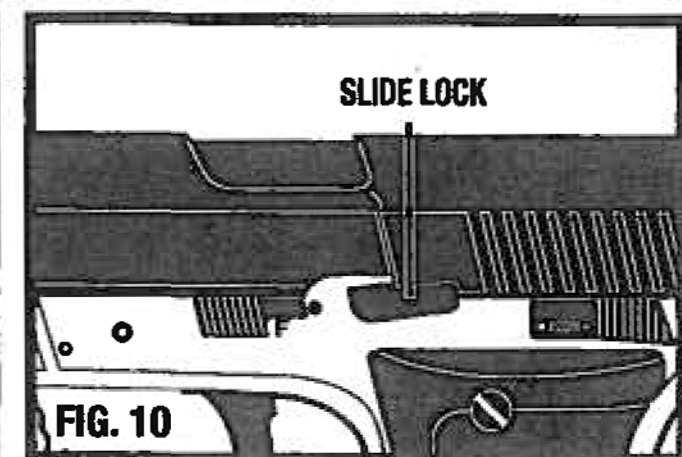
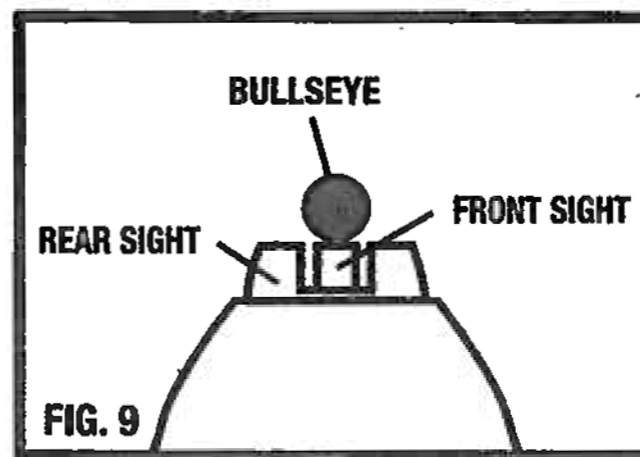
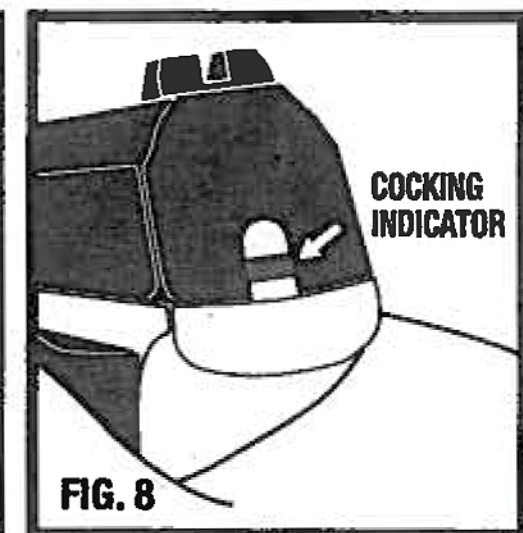
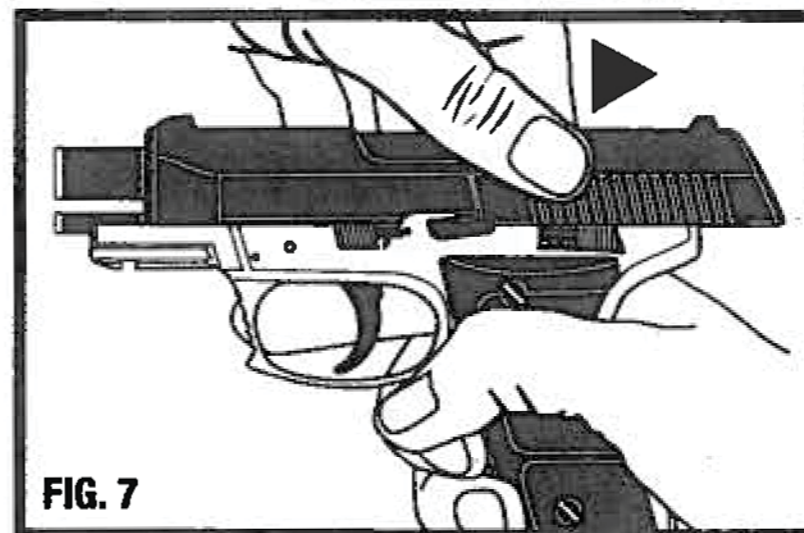
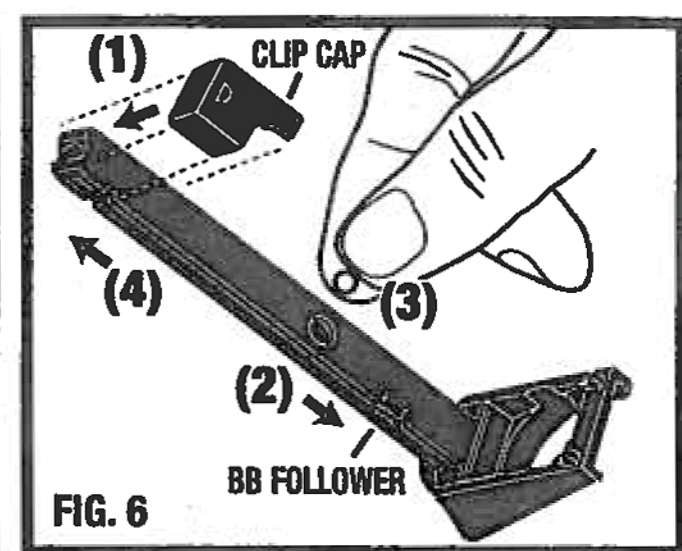
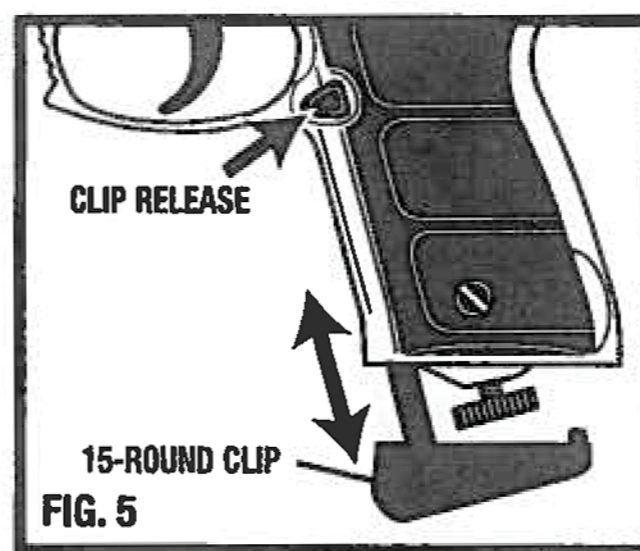
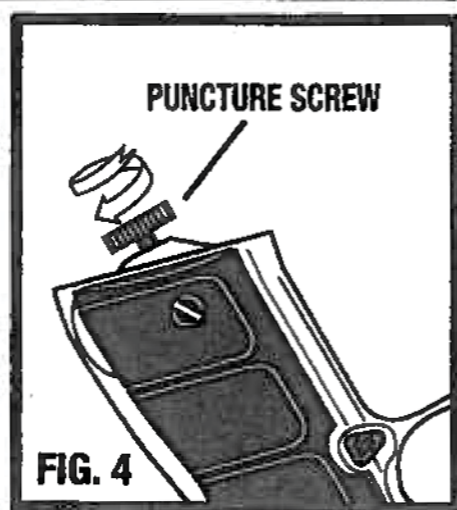
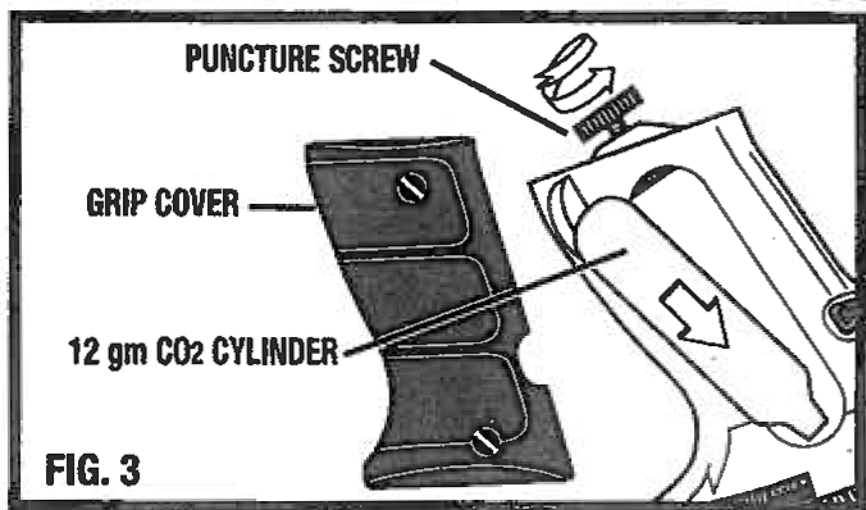
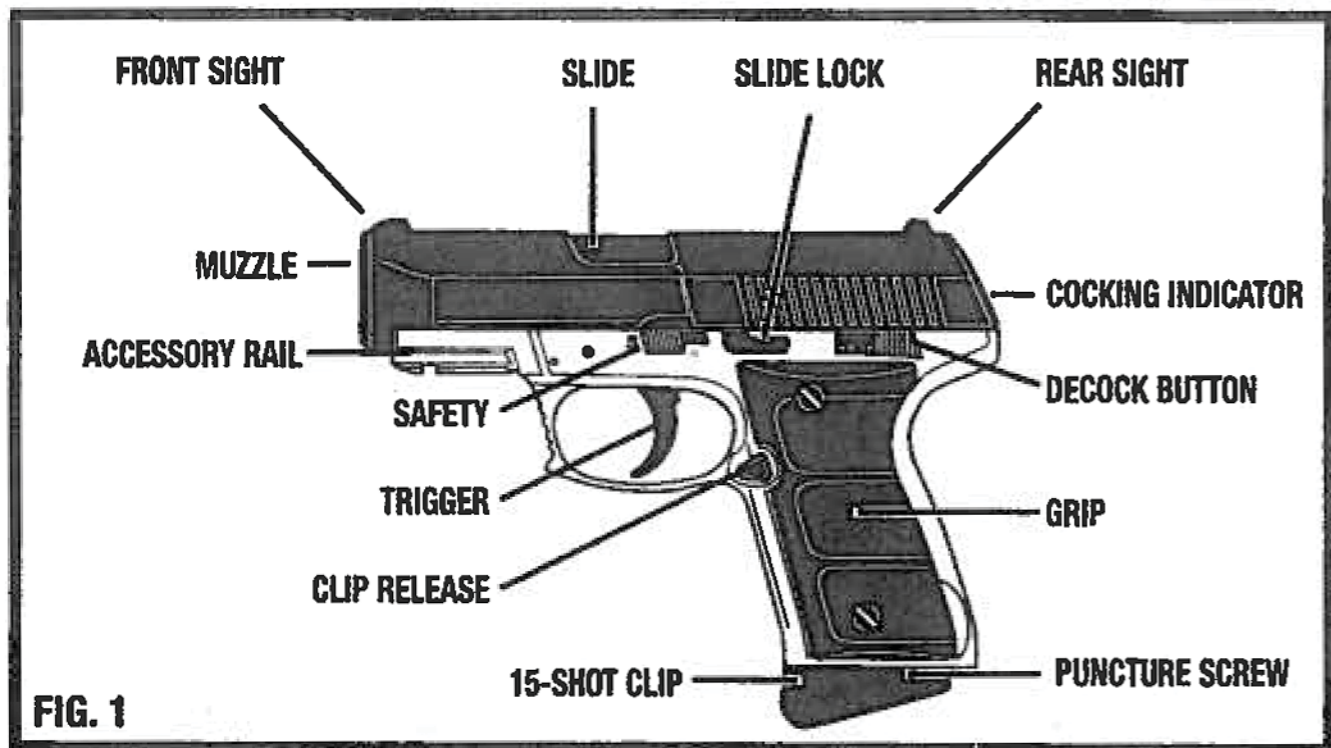
BB DOES NOT FIRE

WARNING: If a BB does not fire after completing the operation steps, do not assume that the gun is unloaded. Keep the gun pointed in a safe direction.

MAKE THE FOLLOWING CHECKS IF A BB DOES NOT FIRE

- Did the BB Clip contain .177 cal. Daisy® Precision Max™ or similar quality BBs and was it installed in the gun correctly? If not, fill the BB Clip with BBs, install it into the pistol and repeat the operation steps.
- Was the safety in the "F" fire position - RED SHOWING, when the trigger was pulled? If not, repeat the operation steps.
- Was a CO2 cylinder installed? If not, put safety in "S" safe position - NO RED SHOWING, and insert a new CO2 cylinder. Repeat the operation steps after the new cylinder is installed.
- Refer to the section on CO2 characteristics.
- If the pistol still does not fire, refer to warning below.

WARNING: If the pistol still fails to shoot a BB after checking the five items above, there is a malfunction in the pistol. This could represent a dangerous condition. There could be BBs in the pistol even though a BB did not shoot out. Always treat the gun as if it were loaded. At no time should you look down the barrel of the gun. Put safety in "S" safe position - NO RED SHOWING, remove the CO2 cylinder, and send the pistol directly to DAISY OUTDOOR PRODUCTS, SERVICE DEPARTMENT. Refer to section on REPAIRS OF DAISY GUNS.



HOW TO UNLOAD

After shooting is complete, the gun should be unloaded before storing it. To unload the gun always put "ON" safe – NO RED SHOWING, remove the CO2 cylinder, remove the BB clip from the gun and remove all BBs from the clip.

REMOVE CO2 CYLINDER

- Put "ON" safe – NO RED SHOWING. (Operation Step 1)
- With the muzzle pointed in a safe direction and the lefthand grip cover still in place, slowly turn puncture screw counterclockwise allowing any remaining gas to be discharged and continue turning screw until end stop is reached.
- Remove left-hand grip cover by lifting at the bottom rear corner of the grip.
- Remove and properly dispose of CO2 cylinder.

⚠ **CAUTION:** Never attempt to reuse a CO2 cylinder for any purpose.

REMOVE BB CLIP FROM THE PISTOL and REMOVE BBs FROM THE CLIP

- Put "ON" safe – NO RED SHOWING. (Operation Step 1).
- Push the clip release button to allow the clip to be removed from the bottom of the pistol grip.
- Slide the clip BB follower to allow the BBs to be emptied from the loading port of the clip.

⚠ **CAUTION:** Do not assume that the gun is empty of BBs when the clip is removed from the gun. Even though you have gone through an unloading procedure, continue to treat the gun as though it were loaded. Don't point at anything you don't intend to shoot. Always put "ON" safe – NO RED SHOWING. Always treat the gun as if it were loaded and ready to fire.

CO2 CHARACTERISTICS

There are occasions when a CO2 pistol may be subjected to abnormal conditions that can produce effects on the pistol's performance. These conditions include operation and/or storage of the pistol at temperatures that are considerably higher or lower than normal outdoor temperatures (60°-70°F), as well as conditions of rapid fire.

- High temperatures can produce pressure in the CO2 cylinder that is considerably higher than normal operating pressure. Such increased pressure may prevent the pistol from firing and may result in permanent damage to the gun. The maximum operating or storage temperature should not exceed 105°F (40°C). This temperature can easily be reached if the gun is left directly in the sun on a bright, sunny day. Therefore, the shooter should not expose the pistol to high temperature conditions or direct sunlight for any extended period of time.
- Rapid firing of the gun will cause temperature reductions in the pistol and CO2 gas. This will result in lower pellet velocities and may even lower gas pressure enough so that the pistol will not fire. This condition can be especially apparent when shooting in cold weather. This condition can be avoided by allowing more time between shots. This permits the gas to increase in temperature and pressure and produce normal velocities.
- During rapid fire, the muzzle velocity of each shot can be expected to decrease. This can be detrimental to shooting accuracy. Also, the faster the gun is shot, the fewer shots you will get per CO2 cylinder.
- Exercise care to insure that the gun is not shot with a CO2 cylinder that is low in pressure.

STORAGE

Store your pistol unloaded. Put "ON" safe – NO RED SHOWING, remove CO2 cylinder and remove all BBs from the pistol's BB clip. Keep pistol away from children and untrained shooters. Store BBs, and CO2 cylinders separately from the pistol to keep them from untrained shooters.

⚠ **WARNING:** A CO2 cylinder contains gas under pressure, whether or not it has been inserted into a gun. If exposed to high temperatures (such as inside of a closed car in direct sunlight), it could explode. Be sure to store all cylinders in a cool place.

PROPER CARE

With care and periodic cleaning, your PowerLine CO2 Pistol will provide many years of shooting enjoyment. As is the case with conventional firearms, abuse, neglect, and continued exposure to the elements will impair the performance of any airgun. Learn to take care of your PowerLine Pistol and it will serve you well.

⚠ **CAUTION:** Never attempt to clean any PowerLine CO2 Pistol until the gun is "ON" safe – NO RED SHOWING and the CO2 cylinder and BB clip have been removed from the Pistol.

EXTERIOR PARTS

All the plastic parts may be cleaned with a damp rag and mild soap or detergent. Avoid using strong detergent, abrasive cleaning compounds or solvents that may scratch or otherwise damage surfaces. The exposed metal parts should occasionally be wiped clean using a soft cloth that is lightly oiled with clean motor oil.

LUBRICATION

Your PowerLine Pistol was lubricated when built and should not require any additional lubrication.

MODIFICATION

⚠ **CAUTION:** The components of this gun were engineered to deliver optimum performance. Any modification or tampering with a gun may cause a malfunction and may make it unsafe to use. Any change in performance (such as a lowered trigger pull force and shortened trigger travel), indicates possible modification, tampering and/or wear. Such a gun should be inspected, replaced or properly repaired by qualified personnel. Any gun that has been dropped should be checked by qualified personnel to ensure that its function has not been affected.

REPAIR OF POWERLINE GUNS

⚠ **WARNING:** A gun that is not operating properly may be dangerous. It should be kept safely from use by anyone until repaired or destroyed. Do not try to take the gun apart. It is difficult to reassemble, and improper reassembly can cause a hazardous condition.

GUNS IN WARRANTY; LIMITED ONE-YEAR WARRANTY

For one year from date of purchase, Daisy will repair or replace and return this gun, free of charge, if defective in material or workmanship. Service is available by returning the gun to Daisy Outdoor Products (refer to important note below). Attach to the gun, your name, address, and telephone number, description of problem and proof of date of retail purchase (sales slip). Package and send transportation prepaid to Daisy. This Warranty gives you specific legal rights, and you may also have other rights which may vary from state to state. **IMPORTANT:** You can return your inoperable pistol to Daisy for repair via United Parcel Service. Be sure to put "ON" safety, remove CO2 cylinder and unload ammo from the magazine before returning the gun to Daisy. You must include your street address for Daisy to send your pistol directly back to you through UPS delivery.

POWERLINE MODEL 5501 CO2 PISTOL SPECIFICATIONS

ACTION	CO2 powered semi-automatic with Blowback Action
CALIBER	.177 cal. (4.5mm) BB
SIGHTS	Blade and ramp front, fixed open rear
AMMO CAPACITY	15-shot removable clip
SAFETY	Manual trigger block
BARREL	Smooth bore
MUZZLE VELOCITY	430 fps.
SHOOTING DISTANCE*	209 yds. (192 m)
OVERALL LENGTH	6.8 in.
WEIGHT	1.45 lb.
POWER SOURCE	PowerLine® 12gm CO2 cylinder

* With the muzzle pointed upward at the optimum angle

⚠ **CAUTION:** CO2 cylinders may explode at temperatures above 160°F (71° C)

CLUBS AND COMPETITION (United States customers)

Throughout its history, Daisy Outdoor Products has supported safety education and competitive target shooting programs. These programs have extended opportunities for hundreds of thousands of young shooters and adults to learn the responsibilities and skills that the shooting sports demand. Today, the company continues to provide teaching aids, special airguns, and turn-key kits so that camps, schools, and civic groups have the right materials to properly teach safe shooting skills.