

Model 415

CO₂ SEMI-AUTOMATIC



POWERLINE

⚠ WARNING: NOT A TOY. ADULT SUPERVISION REQUIRED. MISUSE OR CARELESS USE MAY CAUSE SERIOUS INJURY OR DEATH. MAY BE DANGEROUS UP TO 235 YARDS (215 METERS).

THIS IS A HIGH POWER AIRGUN RECOMMENDED FOR USE BY THOSE 16 YEARS OF AGE OR OLDER. READ ALL INSTRUCTIONS BEFORE USING. THE PURCHASER AND USER SHOULD CONFORM TO ALL LAWS GOVERNING USE AND OWNERSHIP OF AIRGUNS.

⚠ WARNING: THIS GUN CAN CAUSE DEATH IF CARELESSLY USED OR MISUSED. READ AND FOLLOW THE INSTRUCTIONS CAREFULLY. DO NOT LOAD ANY BBs INTO THE GUN UNTIL YOU ARE READY TO SHOOT. IF YOU DO LOAD BBs INTO THE GUN AND THEN DECIDE NOT TO SHOOT, EITHER MANUALLY REMOVE THE BBs FROM THE GUN OR SHOOT THE REMAINING BBs AT A SAFE TARGET. AN UNLOADED, NON-PRESSURIZED GUN WHICH IS "ON" SAFETY IS SAFEST. ACCIDENTS HAPPEN FAST, AND ACCIDENTALLY INJURING OR KILLING SOMEONE IS A TERRIBLE THING. PLEASE SHOOT SAFELY.

⚠ This safety alert symbol indicates important safety messages in this manual. When you see this symbol, be alert to the possibility of personal injury and carefully read the message that follows.

The Model 415 CO₂ PowerLine® Pistol shoots with much more muzzle energy than the traditional spring air BB gun. More power means greater chance of serious injury. Use extreme caution when operating this gun.

Although your new PowerLine® Pistol is not a firearm, it has lethal potential and should be treated with caution and respect due any conventional firearm. Always remember, the first and most important safety feature of any gun is the shooter. All safeties are mechanical devices and the shooter is the only part of the system that can make a gun safe—or unsafe. DON'T DEPEND ON MECHANICAL SAFETIES—think ahead and avoid situations that might lead to accidents.

Guns differ in their operations and you are never ready to fire any gun until you are thoroughly familiar with it. Read the following operating instructions and WITHOUT LOADING A PROJECTILE, proceed through the operating steps (dry firing your gun with CO₂ only several times at a safe target.) This will enable you to learn to operate the PowerLine® 415 properly and safely.

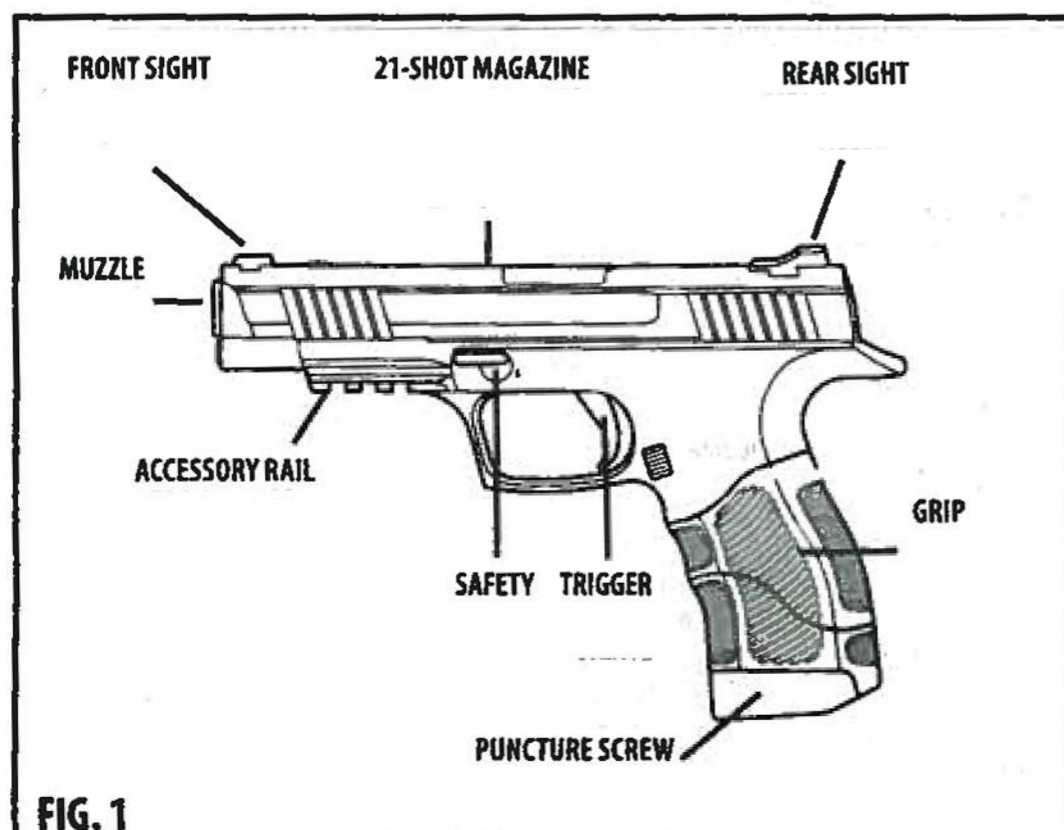


FIG. 1

STEP 2. INSERT CO₂ CYLINDER

⚠ WARNING: Use only CO₂ cylinders which are the 12 gram type. Any attempt to use other sizes and/or cylinders containing other types of gas could be extremely dangerous. The use of gases other than CO₂ could result in an explosion or could rupture the gun, causing serious injury.

1. Put "ON" safety - NO RED SHOWING.
2. Remove the butt of the grip by pulling down (Fig. 3).
3. Turn puncture screw counterclockwise until there is enough room to insert a CO₂ cylinder.
4. Insert the small end of the CO₂ cylinder into the grip. Hold the gun in an inverted position with the grip pointing up and the muzzle pointing away from you as shown (Fig. 4).

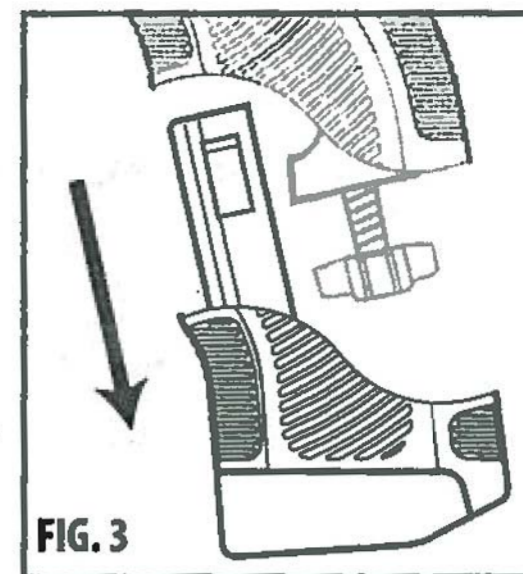


FIG. 3

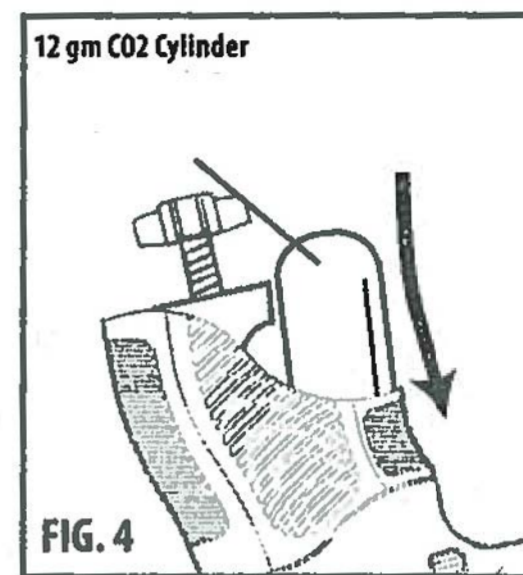


FIG. 4

5. While continuing to hold gun in an inverted position, point the muzzle in a safe direction and turn the puncture screw clockwise to puncture the CO₂ cylinder. (Fig. 5) Continue turning the screw RAPIDLY until finger tight.

NOTE: A slight seepage of CO₂ gas may occur until puncture screw is tight.

⚠ WARNING: Be sure the muzzle is pointed in a safe direction when puncturing the CO₂ cylinder. In the event that a seal temporarily leaks while the CO₂ is being punctured, the CO₂ gas may escape through the barrel. If ammunition is jammed in the barrel from prior shooting, this could result in a projectile being shot.

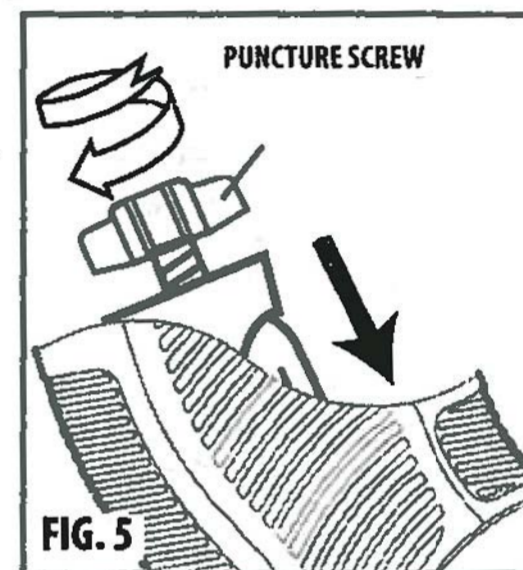


FIG. 5

STEP 3. FILL THE BUILT-IN MAGAZINE WITH A MAXIMUM OF 21 BBs

1. Always point gun in a safe direction. Insure that the gun is "ON" safe - NO RED SHOWING (see Operation Step 1).

2. Move the Built-in Magazine BB follower fully forward and hold in position as shown. (Fig. 6)

NOTE: Make sure the follower is held fully forward toward the muzzle of the gun and the spring is clear of the loading port before attempting to load BBs.

3. Once the Magazine BB follower is held fully forward, a maximum of 21 .177 caliber BBs can be individually inserted into the Magazine Loading Port as shown. (Fig. 7)

⚠ CAUTION: Use only Precision Max™ BBs by Daisy®, or similar quality BBs that are labeled as such. Do not use lead pellets, buck shot, darts, ball bearings, or other foreign objects because they can cause injury to someone or may damage and/or jam the pistol.

4. After the Built-in Magazine has been loaded with a maximum of 21 BBs, slowly release the Built-in Magazine BB follower and allow it to rest up against the BBs. This will allow the BBs to be under spring tension (Fig. 8).

⚠ WARNING: Once the Built-in Magazine is loaded with BBs it is considered to be loaded, so use extreme caution in handling the gun. Keep the gun pointed in a safe direction. Never point the gun at anyone. Always treat the gun as if it were loaded and ready to fire.

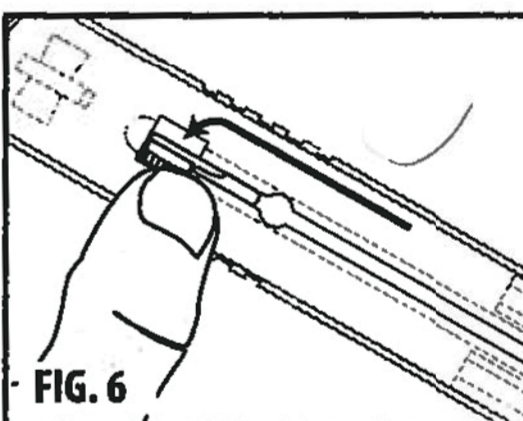


FIG. 6

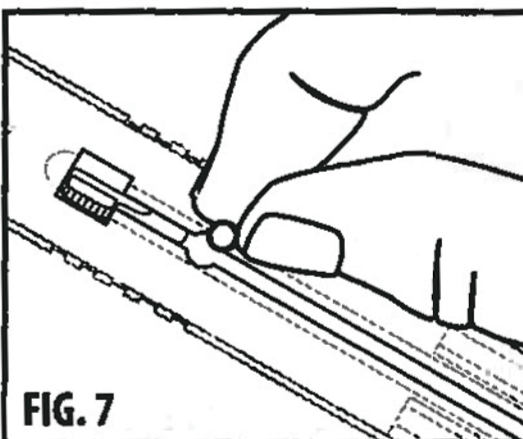


FIG. 7



FIG. 8

Put "ON" SAFE – NO RED SHOWING (refer to Operation Step 1).

OPERATION STEPS:

WARNING: Be sure gun is always pointed in a safe direction.

Step 1. PUT "ON" SAFETY - NO RED SHOWING

Step 2. INSERT CO2 CYLINDER

Step 3. FILL BUILT-IN MAGAZINE WITH A MAXIMUM OF 21 BBs

Step 4. AIM AT A SAFE TARGET

Step 5. TAKE "OFF" SAFETY - RED SHOWING

Step 6. FIRE

Step 7. PUT "ON" SAFETY - NO RED SHOWING

The pistol can continue to be shot until the built-in magazine is empty or the CO2 cylinder need to be replaced. The Model 415 will obtain approximately 150 shots per CO2 cylinder. Refer to section on CO2 Characteristics.

NEVER STORE A LOADED GUN

At the end of a shooting session, as a safety precaution, always put the safety in the "S" safe position - NO RED SHOWING, remove CO2 cylinder, remove BBs from the gun. Store in a safe place to prevent unauthorized use.

HOW TO OPERATE

WARNING: Be sure gun is always pointed in a safe direction. Never point the gun at anyone. Always assume and treat the gun as if it were loaded and ready to fire.

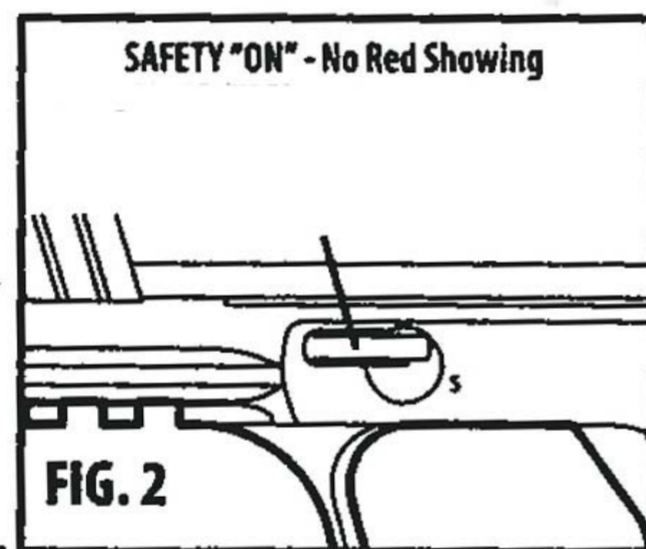
STEP 1. PUT "ON" SAFETY - POSITION SAFETY SO NO RED IS SHOWING.

Rotate the safety toward the "SAFE" position – NO RED SHOWING (Fig. 2). In this position, the trigger cannot be pulled to fire the gun.

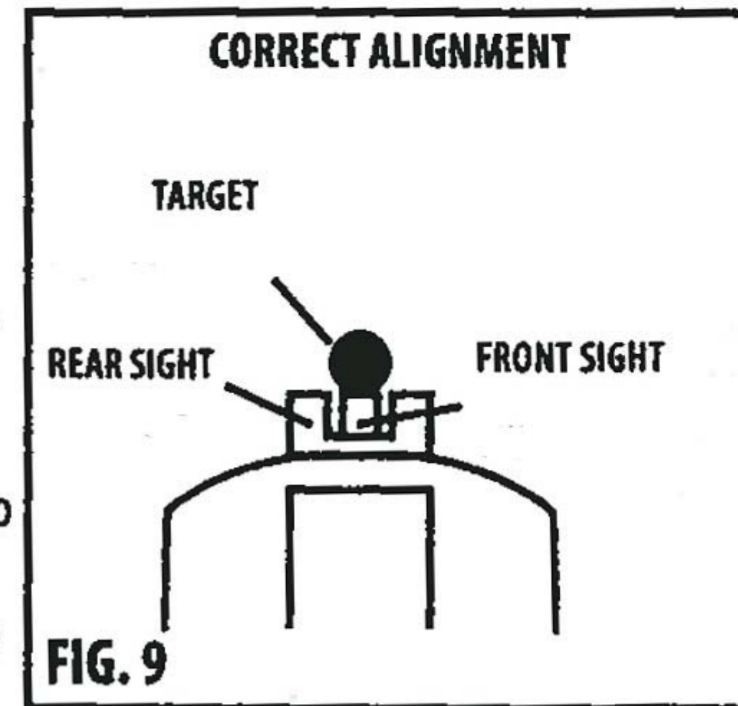
CAUTION: Even when the safety is "ON" you should continue to handle the pistol safely. Don't point the gun at anything that you don't intend to shoot.

NOTE: The safety is manual and not automatic. It will only do its job when you do yours. With the index finger out of the trigger area, move the safety to the "SAFE" position-NO RED SHOWING (Fig. 2).

REMEMBER, THE BEST SAFETY IS GOOD GUN HANDLING.



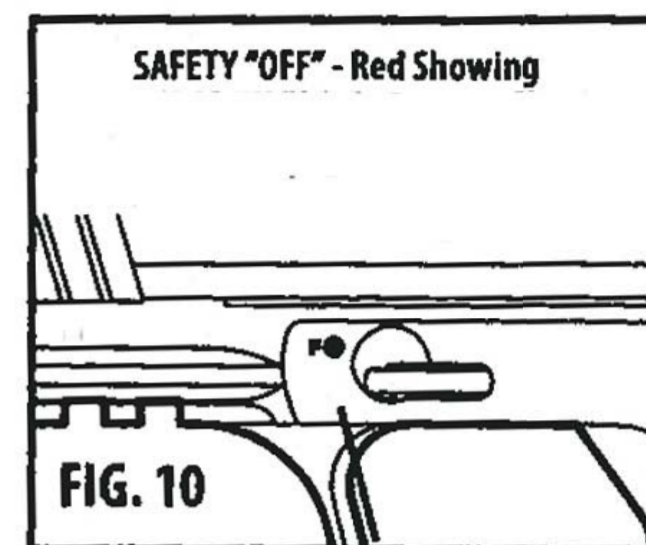
CAUTION: Due to the power of this CO2 pistol, use extra caution in selecting a safe target and proper backstop based on the ammunition you're shooting. Never shoot BBs into a steel trap designed for pellets. Pick targets and backstops that will not cause a ricochet or allow the ammo to penetrate the backstop. Never shoot at a flat hard surface or at the surface of water.



STEP 5. TAKE "OFF" SAFETY – RED SHOWING.

When you are certain that the target, back stop and surrounding area are safe, position the safety "OFF" - RED SHOWING (Fig 10).

WARNING: Use extreme caution in operating the gun because it is now ready to fire when the trigger is pulled.



STEP 6. FIRE

The pistol can be safely fired after properly completing the operating steps mentioned above. After making sure the gun is pointed in a safe direction, gently but firmly, squeeze the trigger. If you desire to continue shooting, the operation steps can be repeated until the CO2 cylinder requires replacement.

STEP 7. PUT "ON" SAFETY - NO RED SHOWING.

After firing, return the safety to the "ON" position – NO RED SHOWING (Fig 2).

BB DOES NOT FIRE

WARNING: If a BB does not fire after completing the operation steps, do not assume that the gun is unloaded. Keep the gun pointed in a safe direction.

CHECK THE FOLLOWING IF A BB DOES NOT FIRE

1. Did the Built-in Magazine contain .177 cal. Daisy® Precision Max™ or similar quality BBs? If not, fill the Built-in Magazine with BBs and repeat the operation steps.
2. Was the safety "OFF" – RED SHOWING, when the trigger was pulled? If not, repeat the operation steps.
3. Was a CO2 cylinder installed? If not, put "ON" safe – NO RED SHOWING, and insert a new CO2 cylinder. Repeat the operation steps after the new cylinder is installed.
4. Refer to the section on CO2 characteristics.
5. If the pistol still does not fire, refer to warning below.

⚠ WARNING: If the pistol still fails to shoot a projectile after checking the five items noted, there is a malfunction in the pistol. This could represent a dangerous condition. There could be a BB in the pistol even though a BB did not shoot out. This could cause the user to mistakenly believe the pistol is unloaded. At no time should you look down the barrel of the gun. Put "ON" safe – NO RED SHOWING, remove the CO2 cylinder, and send the pistol directly to DAISY MANUFACTURING SERVICE DEPARTMENT. Refer to section on REPAIR OF POWERLINE® AIR PISTOLS.

HOW TO UNLOAD

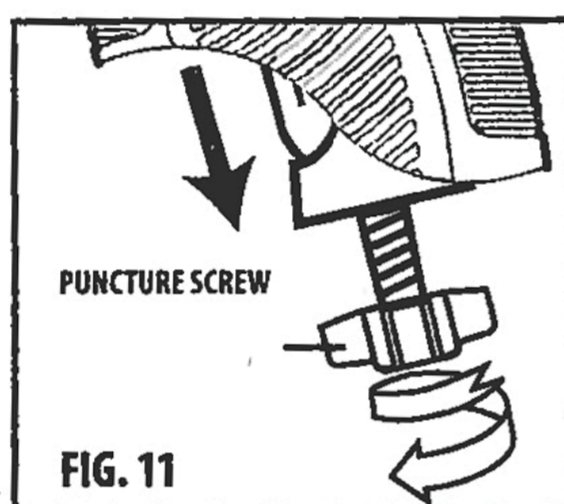
After a shooting session is complete, the gun should be unloaded before storing it. To unload the gun always put "ON" safe – NO RED SHOWING, remove the CO2 cylinder, and remove the BBs from the Built-in Magazine. (See below)

⚠ CAUTION: Even though you have gone through an unloading procedure, continue to treat the gun as though it were loaded. Don't point at anything you don't intend to shoot. Always put the gun "ON" safe – NO RED SHOWING.

REMOVE CO2 CYLINDER

1. Put safety "ON SAFE" – NO RED SHOWING (Fig. 2).
2. With the butt of the grip cover removed, slowly open the puncture screw until any remaining CO2 gas is discharged. (Fig.11)
3. Remove the CO2 cylinder from pistol.

⚠ CAUTION: Never attempt to reuse a cylinder for any purpose.

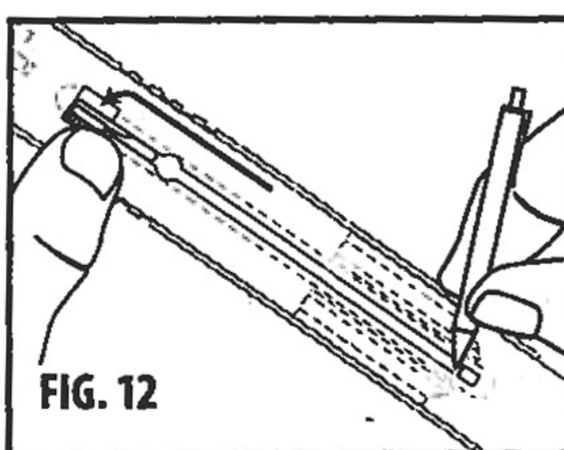


REMOVE BBs FROM THE BUILT-IN MAGAZINE

1. Put "ON" safe – NO RED SHOWING. (Operation Step 1).
2. Push and hold the Built-in Magazine follower fully toward the front.
3. Invert the gun and let the BBs fall out of the magazine through the loading port.

4. Look inside the Magazine slot on top of the gun. If a BB is visible, use a ballpoint pen, screw driver, etc. to remove the BB from the gun as shown (Fig.12).

⚠ CAUTION: Do not assume that the gun is empty of ammunition. Even though you have gone through an unloading procedure, continue to treat the gun as though it were loaded. Don't point at anything you don't intend to shoot. Always put the safety "ON" safe – NO RED SHOWING. (Operation Step 1) and always treat the gun as if it were loaded and ready to fire.



CO2 CHARACTERISTICS

There are occasions when a CO2 pistol may be subjected to abnormal conditions that can produce effects on the pistol's performance. These conditions include operation and/or storage of the pistol at temperatures that are considerably higher or lower than normal outdoor temperatures (60 – 70 degrees F), as well as conditions of rapid fire.

1. High temperatures can produce pressure in the CO2 cylinder and gun that is considerably higher than normal operating pressure. Such increased pressure may prevent the pistol from firing and may result in permanent damage to the gun. The maximum operating or storage temperatures should not exceed 105 degrees F (40 degrees C). This temperature can easily be reached if the gun is left directly in the sun on a bright, sunny day. Therefore the shooter should not expose the pistol to high temperature conditions or direct sunlight for any extended period of time.

EXTERIOR PARTS

Any plastic parts may be cleaned with a damp rag and mild soap or detergent. Avoid using strong detergent, abrasive cleaning compounds or solvents that may scratch or otherwise damage surfaces. The exposed metal parts should occasionally be wiped clean using a soft cloth that is lightly oiled with clean motor oil.

LUBRICATION

Your CO2 pistol was lubricated when built and should not require any additional lubrication.

MODIFICATION

⚠ CAUTION: The components of this gun were engineered to deliver optimum performance. Any modification or tampering with a gun may cause a malfunction and may make it unsafe to use. Any change in performance (such as a lowered trigger pull force and shortened trigger travel), indicates possible modification, tampering and/or wear. Such a gun should be inspected, replaced or properly repaired by qualified personnel. Any gun that has been dropped should be checked by qualified personnel to ensure that its function has not been affected.

REPAIR OF POWERLINE® AIR PISTOLS

⚠ WARNING: A PISTOL THAT IS NOT OPERATING PROPERLY MAY BE DANGEROUS. IT SHOULD BE KEPT SAFELY FROM USE BY ANYONE UNTIL REPAIRED OR DESTROYED. DO NOT TRY TO TAKE THE GUN APART. IT IS DIFFICULT TO REASSEMBLE, AND IMPROPER REASSEMBLY CAN CAUSE A HAZARDOUS CONDITION.

GUNS IN WARRANTY

LIMITED ONE-YEAR WARRANTY

For one year from date of purchase, Daisy will repair or replace and return this gun, free of charge, if defective in material or workmanship. Service is available by returning the gun to Daisy Outdoor Products (refer to important note that follows). Attach to the gun, your name, street address, and telephone number, description of problem and proof of date of retail purchase (sales slip). Package and send transportation prepaid to Daisy Outdoor Products. This warranty gives you specific legal rights, and you may also have other rights which may vary from state to state.

IMPORTANT: You can return your inoperative pistol to Daisy Outdoor Products for repair via United Parcel Service (UPS). Be sure to put "ON safe, remove the CO2 cylinder and unload all ammunition from the rotary clip before returning the pistol to Daisy. You must include your street address for Daisy to send your pistol directly back to you through UPS delivery.

MODEL 415 CO2 PISTOL SPECIFICATIONS

ACTION	CO2 Semiautomatic
CALIBER	.177 cal. (4.5mm) BB
AMMO CAPACITY	21-shot built-in magazine
MAX. SHOOTING DISTANCE*	235 yds. (215m)
MUZZLE VELOCITY	500 fps (153mps)
BARREL	Smooth bore
SAFETY	Manual trigger block
SIGHTS	Blade and ramp front; fixed open rear
WEIGHT	1.0 lb. (.46 kg) empty
OVERALL LENGTH	8.6 in. (21.85 cm)
POWER SOURCE	Daisy® 12gm CO2 cylinder

*With muzzle pointed upward at optimum angle

⚠ CAUTION: CO2 cylinders may explode at temperatures above 160°F (71°C).

LEARN TO SHOOT SAFELY

Daisy Outdoor Products has a rich heritage of teaching young and first time shooters to shoot safely. In order to effectively implement shooting education programs nationwide, Daisy has partnered with the following organizations which teach shooting safety and provide additional shooting safety materials and information. We encourage you to contact Daisy at 1-800-643-3458 or one of these organizations to sign up for a shooting safety class in your area.

CO₂ gas. This will result in lower ammunition velocities and may even lower gas pressure enough so that the pistol will not fire. This condition can be especially apparent when shooting in cold weather. This condition can be avoided by allowing more time between shots. This permits the gas to increase in temperature and pressure, and produce normal velocities.

3. During rapid fire, the muzzle velocity of each shot can be expected to decrease. This can be detrimental to shooting accuracy. The faster the gun is shot, the fewer shots you will get per CO₂ cylinder.

4. Care should be exercised to ensure that the gun is not shot with a CO₂ cylinder that is low in pressure because a BB may not be expelled from the barrel.

⚠ CAUTION: Shooting the gun with low CO₂ pressure could result in ammunition lodging in the barrel.

STORAGE

Store your pistol unloaded. Put "ON" safe, remove CO₂ cylinder and remove all BBs from the pistol. Keep pistol away from children and untrained shooters. Store ammunition, and CO₂ cylinders separately from the pistol to keep them from untrained shooters.

⚠ WARNING: A CO₂ CYLINDER CONTAINS GAS UNDER PRESSURE, WHETHER OR NOT IT HAS BEEN INSERTED INTO A GUN. IF EXPOSED TO HIGH TEMPERATURES (SUCH AS INSIDE OF A CLOSED CAR IN DIRECT SUNLIGHT), IT COULD EXPLODE. BE SURE TO STORE ALL CYLINDERS IN A COOL PLACE.

PROPER CARE

With care and periodic cleaning, your pistol will provide many years of shooting enjoyment. As is the case with conventional firearms, abuse, neglect, and continued exposure to the elements will impair the performance of any airgun. Learn to take care of your pistol and it will serve you well.

⚠ CAUTION: Never attempt to clean the pistol until it is "ON" safe – NO RED SHOWING, the CO₂ cylinder has been removed, and the BBs have been removed from the Built-in Magazine.