



## EXPLODED VIEW & PARTS LIST

# SILHOUETTE PCP .177 Caliber Pre-Charged Pneumatic Pistol Model 1701P



- This EVP and parts list is intended to be an informational guide in ordering parts. It is not instructional material and we therefore assume no responsibility for those who use the same without proper factory training.
- Please order by part number and description.
- Check or money order for the total price must accompany the order.

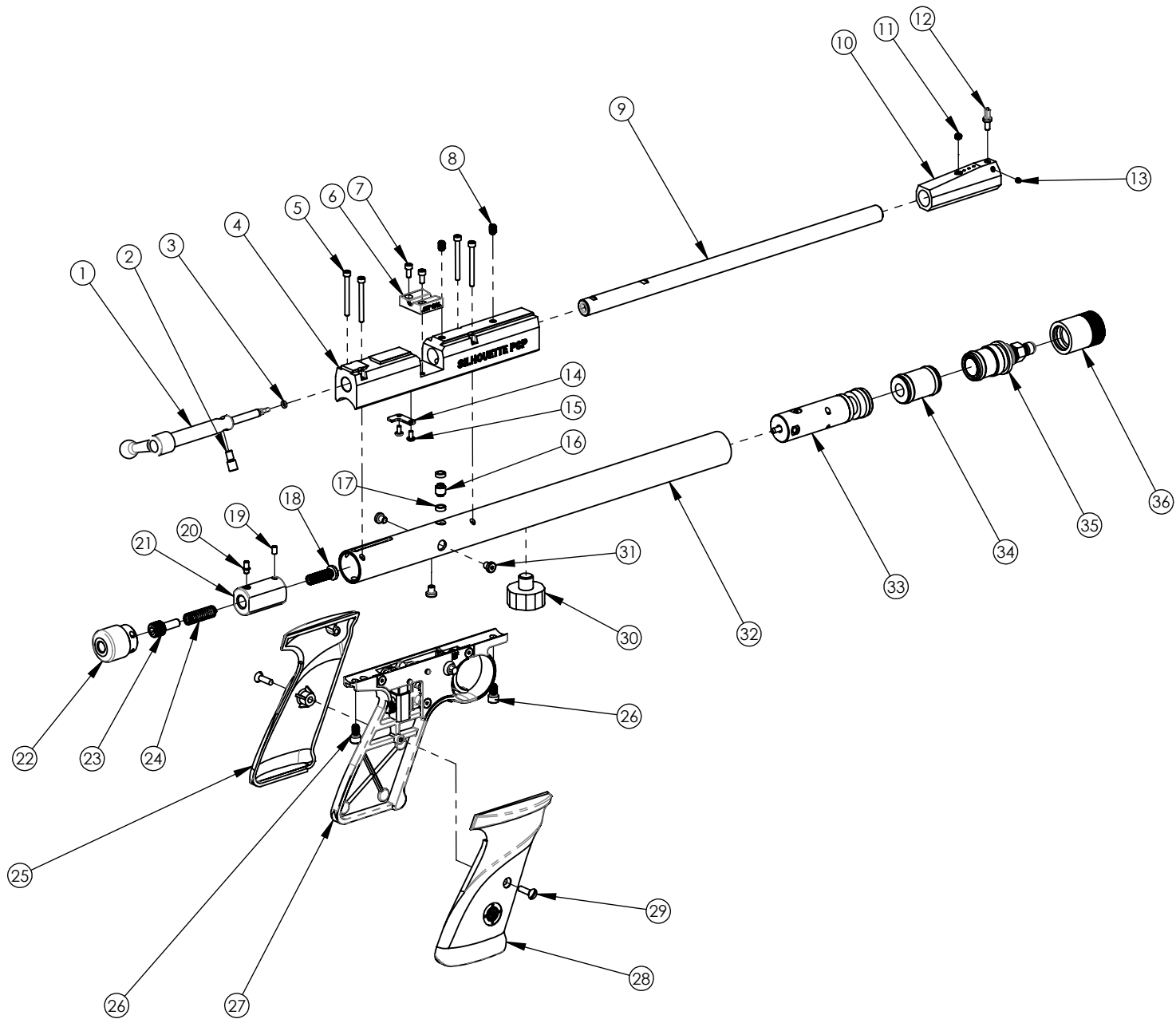
## PARTS LIST FOR 1701P

Manufacture Start Date: April 2011

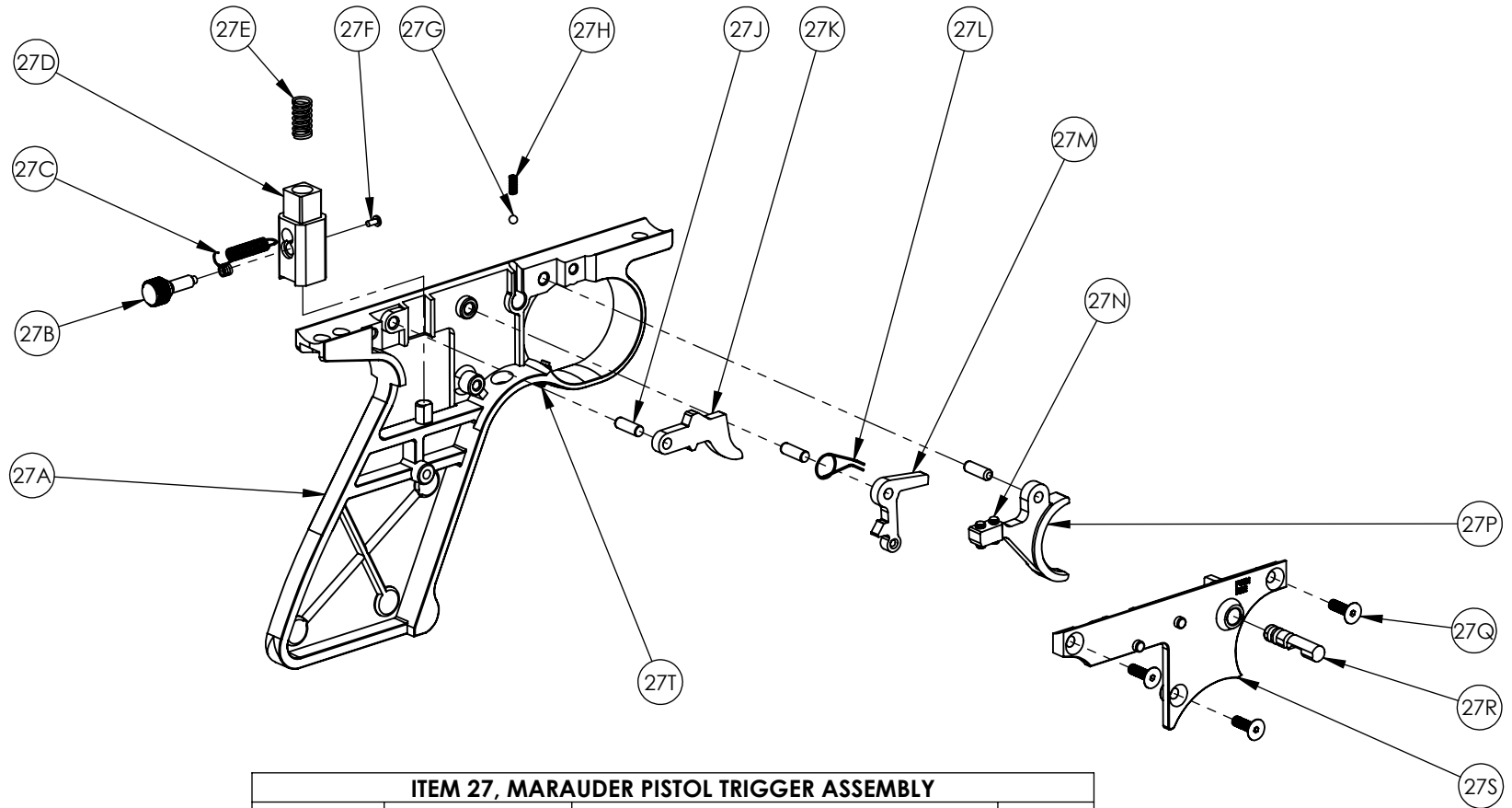
PART NUMBER	DESCRIPTION	QTY	
1	1700-102	Bolt Assy, .177cal.	1
2	1700-018	Stud, Bolt	1
3	397-062	Seal, .177 Breech O-Ring	1
4	1701P-004	Breech	1
5	1700-008	Screw, 4-40 X 1.125, SHCS	4
6	1700-021	Tray, Breech, .177 Pellet	1
7	1700-022	Screw, 4-40 X .25, SHCS	2
8	1763-023	Set Screw, 8-32 x.250, FLTPT	2
9	1700-017	Barrel, 10.1 Match, .177cal.	1
10	1701-023	Brake, Muzzle, PCP Pistol	1
11	88-089	Screw, Set	1
12	1701-024	Sight Post	1
13	1701-025	Set Screw, 4-40x.125, FlatPT	1
14	1700-019	Plate, Bolt Indexing	1
15	1700-020	Screw, 3-48 X .188, PPH	2
16	1700-014	Sleeve, Transfer Port .043	1
17	130-036	Breech Gasket	2
18	1763A036	Striker	1
19	CH2009-023	Pin, Acetal	1
20	1700-015	Hammer Pin	1
21	CH2009A009	Hammer	1
22	1700-012	Cap, Tube	1
23	1700-011	Guide, Hammer Spring	1
24	1700-009	Spring, Hammer	1
25	1700-031	Grip, Left	1
26	1700-029	Screw, 8-32 X .312, SHCS	2
<b>27</b>	<b>2220-103</b>	<b>Assy, Grip Frame (pg.4)</b>	<b>1</b>
27A	2220-018	Frame, Trigger	1
27B	2220-013	Screw, Adjuster	1
27C	2220-022	Spring, Trigger Link	1
27D	2220-015	Housing, Adjuster	1
27E	2220-024	Spring, Sear	1
27F	2220-026	Screw, 0-80 X .125 PPH	1
27G	105-039	Ball, Steel .093 Dia	1
27H	1322-017	Spring, Safety	1
27J	2220-025	Pin, Dowel, .125 X .375	3
27K	2220-021	Sear	1
27L	2220-023	Spring, Trigger	1
27M	2220-020	Link, Trigger	1
27N	1763-055	Set Screw, 4-40 X .312 OV PT	2
27P	2220-019	Trigger	1
27Q	1763-056	Screw, 4-40 X .312 FHCS	3
27R	1322-052	Safety	1
27S	1322B044	Cover	1
27T	2300-042	Set Screw, 8-32 x .25 Brass Tip	1

PART NUMBER	DESCRIPTION	QTY	
28	1700-032	Grip, Right	1
29	105-054	Screw, 6-32, Mach Oval .5	2
30	1763-033	Gauge, Pressure	1
31	1700-010	Screw, 8-32x .188, SHCS, Low H	3
32	1700-001	Tube, Reservoir	1
<b>33</b>	<b>1700-100</b>	<b>Valve Assembly (pg.5)</b>	<b>1</b>
33A	1700-002	Valve Body	1
33B	1700-003	Valve Cap	1
33C	1700B005	O-Ring, #113, 80D HNBR	1
33D	130-035	O-Ring	1
33E	1700-140	Valve Stem, Overmolded	1
33F	1763-034	Spring, Valve	1
<b>34</b>	<b>1700-104</b>	<b>Gauge Port Assembly (pg.6)</b>	<b>1</b>
34A	1700-016	Port, Gauge	1
34B	1700B005	O-Ring, #113, 80D HNBR	2
<b>35</b>	<b>1700-101</b>	<b>Fill Adapter Assy. (pg.5)</b>	<b>1</b>
35A	1700-013	Housing, Fill Adapter	1
35B	1700B005	O-Ring, #113, 80D HNBR	1
35C	1761-106	Fill Nipple, Back Checking	1
35D	NS1200-047	Filter, Sintered	1
<b>36</b>	<b>1761-102</b>	<b>Cap Assembly (pg.6)</b>	<b>1</b>
36A	1761-011	Cap, Fill Adapter	1
36B	1761-005	O-Ring, #16	1

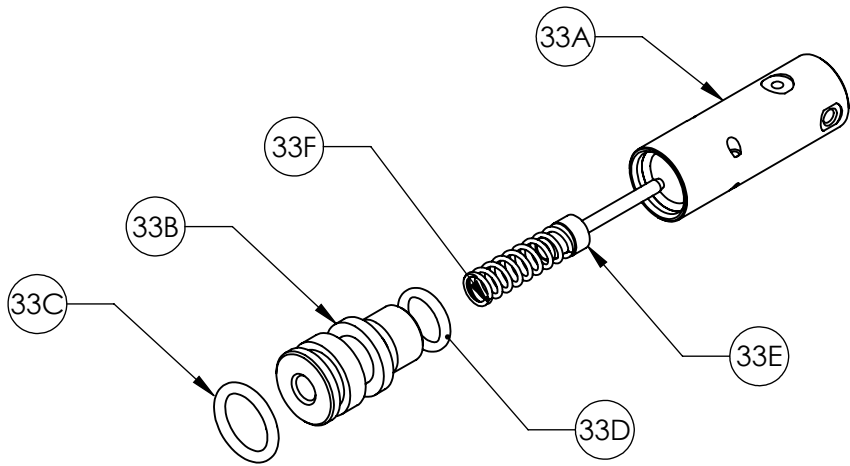
ASSEMBLY DRAWINGS	Page
General Assembly Drawing	3
Grip Frame Assembly	4
Valve Assembly	5
Fill Adapter Assembly	5
Guage Port Assembly	6
Cap Assembly	6



**CROSMAN MODEL 1701P SILHOUETTE PCP PISTOL**

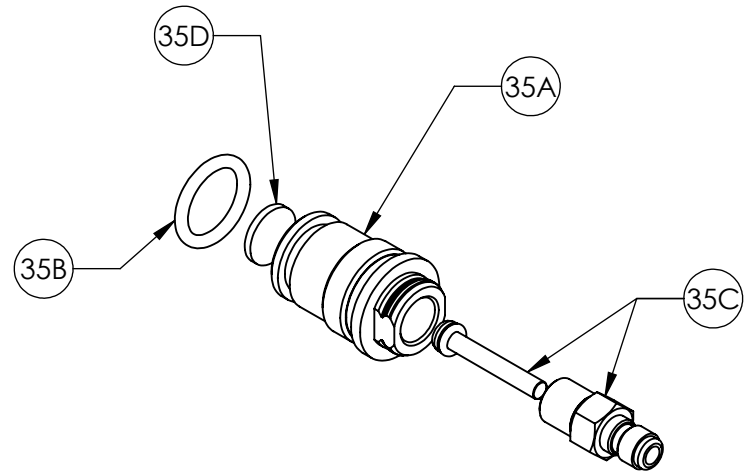


ITEM 27, MARAUDER PISTOL TRIGGER ASSEMBLY			
ITEM NO.	PART NUMBER	DESCRIPTION	QTY.
27A	2220-018	FRAME, TRIGGER	1
27B	2220-013	SCREW, ADJUSTER	1
27C	2220-022	SPRING, LINK	1
27D	2220-015	HOUSING, ADJUSTER	1
27E	2220-024	SPRING, SEAR	1
27F	2220-026	SCREW, 0-80 x .125, PPH	1
27G	105-039	DIA .093 STEEL BALL	1
27H	1322-017	SPRING, SAFETY	1
27J	2220-025	PIN, DOWEL, .125 X .375	3
27K	2220-021	SEAR	1
27L	2220-023	SPRING, TRIGGER	1
27M	2220-020	LINK, TRIGGER	1
27N	1763-055	SET SCREW, 4-40 x .312, OV PT	2
27P	2220-019	TRIGGER	1
27Q	1763-056	SCREW, 4-40 x .375, FHCS	3
27R	1322-052	SAFETY	1
27S	1322B044	COVER	1
27T	2300-042	SETSCREW 8-32 x .25 BRASS TIP	1



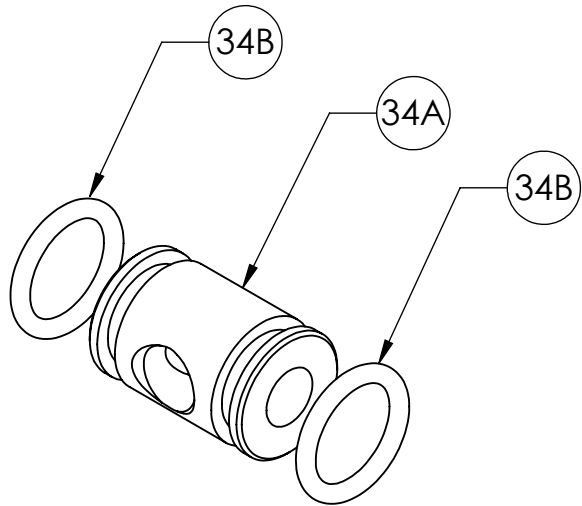
**ITEM 33, VALVE ASSEMBLY**

ITEM NO.	PART NUMBER	DESCRIPTION	QTY.
33A	1700-002	VALVE BODY	1
33B	1700-003	VALVE CAP	1
33C	1700B005	O-Ring, #113, 80D HNBR	1
33D	130-035	O-RING	1
33E	1700-140	VALVE STEM, OVERMOLDED	1
33F	1763-034	SPRING, VALVE	1

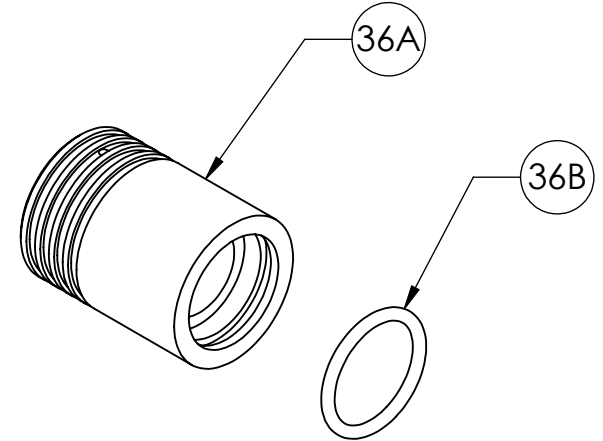


**ITEM 35, FILL ADAPTER ASSEMBLY**

ITEM NO.	PART NUMBER	DESCRIPTION	QTY.
35A	1700-013	HOUSING, FILL ADAPTER	1
35B	1700B005	O-Ring, #113, 80D HNBR	1
35C	1761-106	NIPPLE, ADAPTER	1
35D	NS1200-047	SINTERED FILTER	1



ITEM 34, GAUGE PORT ASSEMBLY			
ITEM NO.	PART NUMBER	DESCRIPTION	QTY.
34A	1700-016	PORT, GAUGE	1
34B	1700B005	O-Ring, #113, 80D HNBR	2



ITEM 36, FILL CAP ASSEMBLY			
ITEM NO.	PART NUMBER	DESCRIPTION	QTY.
36A	1761-011	CAP, ADAPTER	1
36B	1761-005	O-RING, AS568-016	1