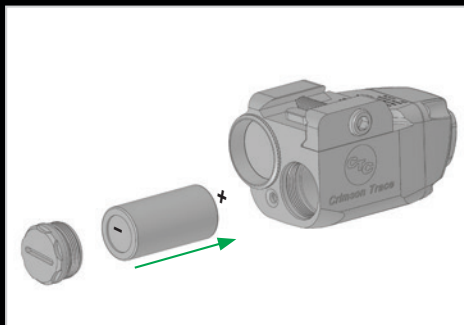


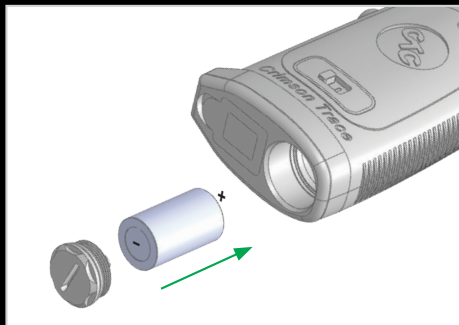


QUICK START GUIDE

GRIP & MODULE COME FACTORY PAIRED



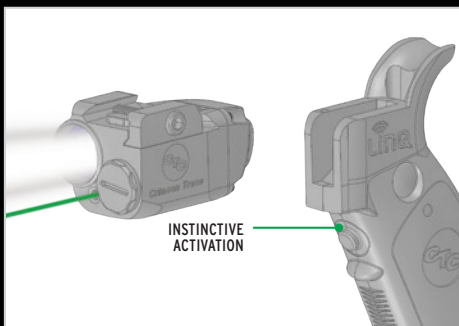
1. INSTALL (1) CR123 BATTERY INTO MODULE.



2. INSTALL (1) CR2 BATTERY INTO GRIP.



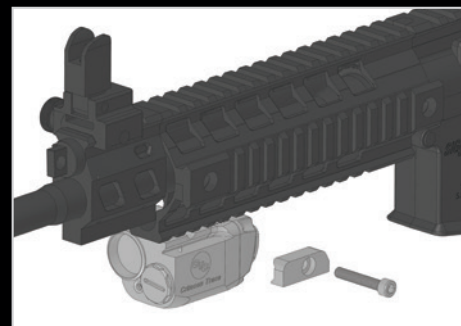
3. SLIDE MASTER SWITCH TO THE FORWARD "ON" POSITION.



4. PUSH INSTINCTIVE ACTIVATION™ BUTTON TO ENSURE UNIT IS WORKING PROPERLY.



5. MOUNT GRIP TO FIREARM. TEST SAFETY SELECTOR TO ENSURE PROPER RE-INSTALLATION OF SPRING.



6. ALIGN MODULE MODULE UNDER DESIRED RAIL NOTCH AND USE PROVIDED ALLEN WRENCH TO TIGHTEN SCREW ONTO RAIL.



FAILURE TO FOLLOW ANY OF THE FOLLOWING WARNINGS MAY RESULT IN SEVERE INJURY OR DEATH TO YOU OR OTHERS.

Prior to installing Crimson Trace products, ensure that the firearm is unloaded, the magazine is removed, safety on and finger(s) off the trigger.

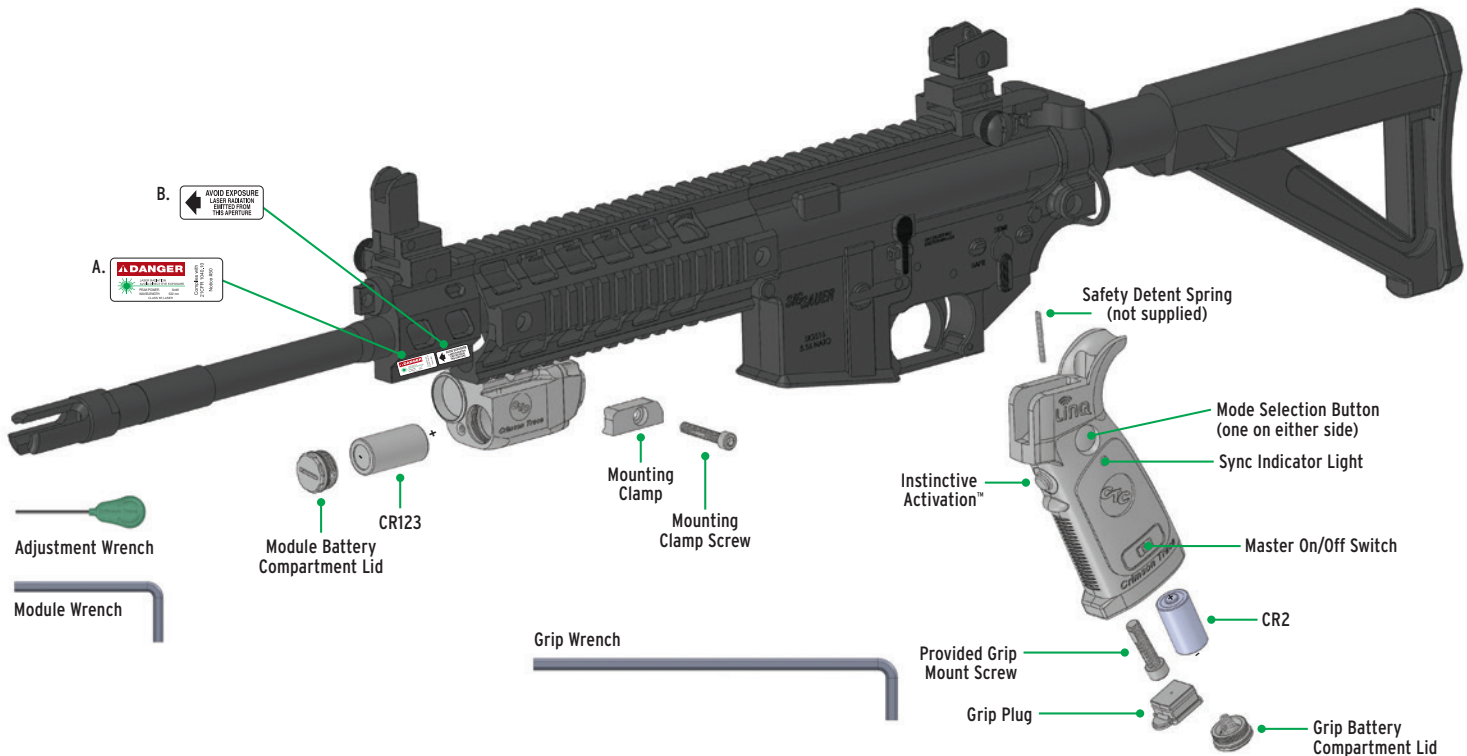
DO NOT install or use Crimson Trace product if the installation of the product in any way affects the safe function of the firearm.

ALWAYS FOLLOW THE 4 RULES OF FIREARM SAFETY:

1. Handle all firearms as if they are loaded.
2. Never let the muzzle cover anything that you are not willing to destroy.
3. Keep your finger off the trigger until your sights are on the target and you are ready to fire.
4. Be sure of your target and what is beyond.

Remember, the user is **ALWAYS** responsible for the safe use of a firearm.

Crimson Trace recommends that every gun owner take a gun safety course from a certified NRA Instructor before handling or firing your firearm.



PRODUCT SPECIFICATIONS

GREEN BEAM INTENSITY: 5mW peak,
515-532 nm, Class 3R laser

LIGHT OUTPUT: 300-Lumen LED

BEAM DOT SIZE: Approximately 0.5 inches
diameter at 50 feet

ACTIVATION: Instinctive Activation™

BATTERY LIFE: Two (2) hours of illumination

MODULE BATTERY: One (1) CR123 lithium battery

GRIP BATTERY: One (1) CR2 lithium battery

This product complies with 21 CFR 1040.10



LASER SAFETY LABELING

IMPORTANT: LASER PRODUCTS MUST ONLY BE OPERATED WITH THE SAFETY LABEL APPLIED TO THE FIREARM.

- Attach the "Danger" warning label to the outside of the firearm.
- Attach the "Aperture" warning label with the arrow pointing to the laser aperture.

Use caution when activating the laser to avoid direct eye exposure, which can result in permanent eye damage. Follow all precautions as outlined by the firearms manufacturer.

INSTALLATION

GRIP & MODULE COME FACTORY PAIRED

BATTERY INSTALLATION

- Install (1) CR123 battery into module (+) side in first.
- Install (1) CR2 battery into grip (+) side in first.
- Slide master switch on grip to the forward "ON" position.
- Push Instinctive Activation™ button to ensure laser and light activate.

GRIP INSTALLATION

- Remove stock grip according to your firearm owner's manual.
- Mount grip to firearm. (Ensure safety detent selector spring is re-installed according to your firearm manufacturer.)
- Using provided mounting screw and grip wrench, install grip by turning clockwise.
- Ensure safety selector on firearm is fully functional.

MODULE INSTALLATION

- Turn screw counter clockwise to loosen rail clamp.
- Align module at desired rail lug. Using provided module wrench, tighten screw clockwise to secure clamps to rail.

WINDAGE & ELEVATION ADJUSTMENTS

LiNQ has been sighted in parallel to the barrel. All products are fully adjustable for windage and elevation if further adjustments are desired.

A two-screw alignment system is used to adjust for windage and elevation. The adjustment screws are located just behind the laser source, use the supplied allen wrench to make any adjustments.

DO NOT OVERTURN THE ADJUSTMENT SCREWS. A little adjustment goes a long way. Rarely more than a half turn is required to make your needed adjustments.

WINDAGE		
LEFT	COUNTER CLOCKWISE	
RIGHT	CLOCKWISE	

ELEVATION		
DOWN	CLOCKWISE	
UP	COUNTER CLOCKWISE	

ACTIVATION & MODES

LiNQ has been programmed with 4 activation modes for full user adaptability. It has been factory set to the Light/Laser mode.

- > Light/Laser
- > Laser
- > Light
- > Laser with Strobe Light

You can select your desired mode by using either the grip or the module. Start with laser and light not activated.

MODE SELECTION FROM GRIP: First press and hold either mode selection button on grip then press and hold Instinctive Activation button. The module will begin to cycle through the modes. Release buttons at desired mode.

MODE SELECTION FROM MODULE: Hold down the independent control button on the module. The unit will begin to cycle through the modes. Release button at desired mode.

MAINTENANCE

LiNQ requires minimal attention and is designed to resist most common firearm chemicals and lubricants, however, excessive exposure to these chemicals can be detrimental. To ensure the safe and effective operation of your laser and light:

- > Remove grip and module before cleaning firearm.
- > Do not allow cleaning solution to enter laser and light aperture.
- > Do not allow solvents to contact grip or module that contain: VOCs or TCE such as carb/brake cleaner, acetone, MEK, gasoline. Damage will result.

After extensive shooting, you may notice a degradation of light or beam quality. This is the result of fouling on the lens surface. This is normal and can be easily cleaned with a small cotton swab dipped in isopropyl alcohol or window cleaner. Dry the lens with a clean dry swab. When cleaning the lens do not touch lens with any sharp objects.

TROUBLESHOOTING

LASER/LIGHT DOES NOT ACTIVATE	If LiNQ has not been activated for 30+ days, push the Instinctive Activation button, then the independent control button at the same time to reactivate the unit.
	Replace module batteries.
	Replace grip batteries.
	Ensure battery caps are properly installed on grip and module. Battery caps are not interchangeable.

SYNC INDICATOR LIGHT BLINKING	Replace module batteries.
SAFETY SELECTOR DOES NOT FUNCTION	According to firearm manufacturer instructions, ensure detent selector spring is installed.
RESET	Remove batteries from grip and module. Wait 5 minutes. Turn off master switch. Follow installation instructions.