

**GLOCK THIRD GENERATION 17, 17L, 22, 24, 31, 34, 35, 37. GEN4 17, 22, 31, 34, 35, 37. GEN5 17. LG-637G**  
**GLOCK THIRD GENERATION 19, 23, 25, 32, 38. GEN4 19, 23, 32. GEN5 19. LG-639G**

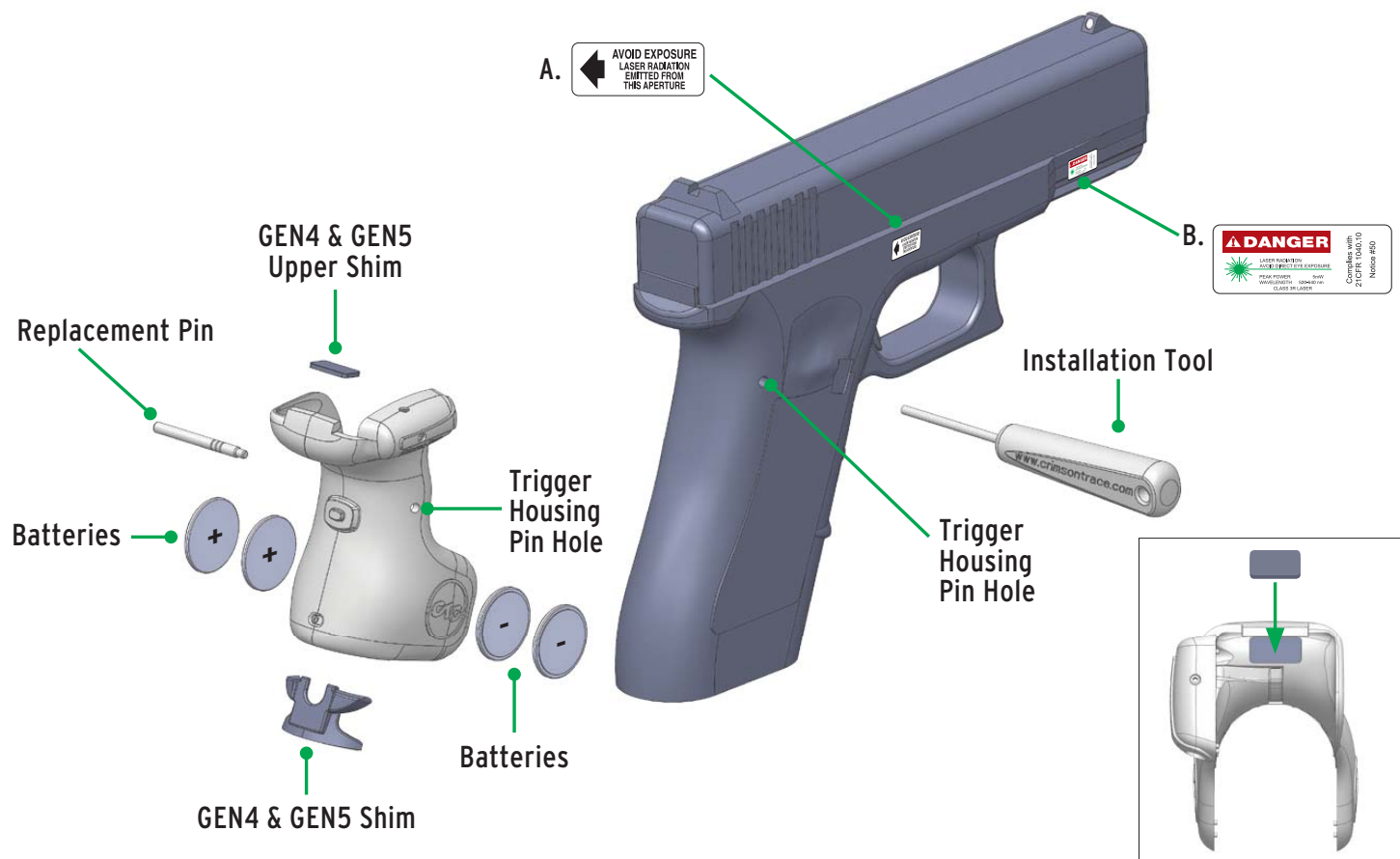


FIGURE 1

## PRODUCT SPECIFICATIONS

**BEAM INTENSITY:** 5mW peak, 515-532 nm, Class 3R laser

**DOT SIZE:** Approximately 0.5 inches diameter at 50 feet

**BATTERIES:** Four #2016 lithium batteries;  
over two hours of illumination

**ACTIVATION:** Rear located integrated momentary  
pressure pad and master ON/OFF switch

**WARRANTY:** Three-year full warranty

This product complies with 21 CFR 1040.10



## INSTALLATION INSTRUCTIONS

1. Make sure firearm is unloaded. Remove the magazine and double check that the chamber is empty. (See "Four Basic Rules of Firearm Safety" in Owner's Handbook.)
2. For safety and ease of installation, open slide of pistol and lock open.
3. Remove the trigger housing pin by pressing it out from right to left using supplied Installation Tool.
4. Place two batteries into each round battery well in each side of the Lasergrips®. Install one battery at a time with the flat, (+) side visible; angle each battery to engage the positive battery contact.
5. GEN4 and GEN5 models will require 2 shims. Remove the film from the upper shim and attach to upper side of grip. (See FIGURE 1). The lower Crimson Trace shim will slide into place at the inside base of the grip.
6. Slide grip onto firearm starting at bottom of frame. Seat grip in place over the beavertail of the frame and line holes in grip up with trigger housing pin hole in frame and firmly hold in place.
7. Insert enclosed replacement trigger housing pin from left to right, starting with grooved end. Press into place using side of provided installation tool. Fine adjustment of pin can be done using rounded edge of tool handle. (Please see fit notes section below.)
8. Attach "Aperture" warning label with the arrow pointing to the laser aperture. Attach laser "Danger" sticker to outside of pistol.
9. Lasergrips are default set at the factory to be in the "ON" position. To activate Lasergrips, press pressure activation pad located on the backstrap of the Lasergrips, directly above the master ON/OFF switch. To turn off, move the master ON/OFF switch to the left.
10. Confirm that laser and iron sights are in alignment. Laser dot should rest on top of front site post with correct iron sight picture. Lasergrips are sighted-in at the factory to 50 feet, but can be fine-tuned to any point of impact by adjusting for windage and elevation. (See Laser Sight Owner's Handbook for complete sighting information.)

**FIT NOTES: HOLES IN FRAME AND LASERGRIPS MUST ALIGN EXACTLY FOR PIN TO SEAT PROPERLY. PRESS FIRMLY ON LASERGRIPS HOUSING TO ALIGN HOLES. DO NOT USE EXCESSIVE FORCE ON PIN OR YOU MAY DAMAGE LASERGRIPS HOUSING.**

Be sure trigger block has not moved during installation, or the holes will not align properly when installing the pin. If it has moved and is blocking pin installation, remove the slide and push down on the trigger block. (If you have any questions about performing this task, consult the manufacturer's instructions or a qualified gunsmith.)

Lasergrips are designed to fit factory-original pistols only. Pin may unseat slightly during initial use. This is normal. It should seat permanently after firing a few hundred rounds. Customers must keep original factory-provided plastic pin and re-install whenever Lasergrips are removed.

The LG-637 includes two different installation pins. Use the pin with one groove first, installing from the left side to the right side. If holes do not line up and pin does not install completely, use pin with three grooves.

## LASER SAFETY LABELING

**IMPORTANT: LASER PRODUCTS MUST ONLY BE OPERATED WITH THE SAFETY LABEL APPLIED TO THE FIREARM.**

Labels could not be affixed to the product but are supplied and must be installed as indicated below:

- A. Attach the "Aperture" warning label with the arrow pointing to the laser aperture.
- B. Attach the "Danger" warning label to the outside of the firearm.

Use caution when activating the laser to avoid direct eye exposure, which can result in permanent eye damage. Follow all precautions as outlined by the firearms manufacturer. Keep this and all firearm related products locked and secured from children or other unauthorized users.

Looking for dependable gun sights? Rely on Crimson Trace for quality and long-lasting products.