

## PRODUCT SPECIFICATIONS

BEAM INTENSITY: 5mW peak, 620-670 nm, Class 3R laser

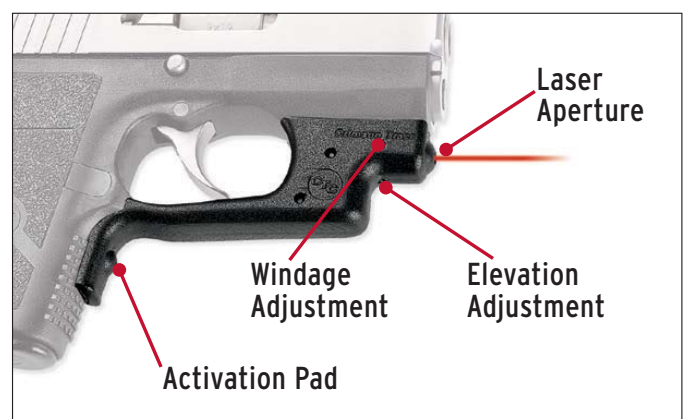
DOT SIZE: Approximately 0.5 inches diameter at 50 feet

BATTERIES: One 1/3N 3V lithium or two 357 silver oxide batteries; over four hours of illumination

ACTIVATION: Front-located integrated momentary pressure pad

WARRANTY: Three-year full warranty

This product complies with 21 CFR 1040.10



## INSTALLATION INSTRUCTIONS

1. Make sure firearm is unloaded. Remove magazine and double check that chamber is empty. (See "Four Basic Rules Of Firearm Safety" in Owner's Handbook.)
2. Insert battery with the flat, (+) side visible (on top), and place into the right side of Laserguard®. Refer to image above.
3. Slide laser side of Laserguard under the trigger guard and snap into place. Ensure activation button hooks around to the left side of the trigger guard and rests on the front strap.
4. Hook left side of Laserguard into the right, at an angle, by inserting into locking grooves located near activation button. Apply pressure to the front of both sides until both sides join together.
5. Install the two CTC provided screws into the left side (non-laser side) of the Laserguard using the .050" hex wrench (provided). Tighten together until there is no gap.
6. Attach "Aperture" warning label with the arrow pointing to the laser aperture. Attach laser "Danger" sticker to outside of pistol.
7. Press activation button to turn on laser. Confirm that laser and iron sights are in alignment. Laser dot should rest on top of front site post with correct iron sight picture. Laserguards are sighted-in at the factory at 50 feet, but can be fine-tuned for windage and elevation. (See Laser Sight Owner's Handbook for complete sighting information.)

## LASER SAFETY LABELING

**IMPORTANT: LASER PRODUCTS MUST ONLY BE OPERATED WITH THE SAFETY LABEL APPLIED TO THE FIREARM.**

Labels could not be affixed to the product but are supplied and must be installed as indicated below:

A. Attach the "Aperture" warning label with the arrow pointing to the laser aperture.

B. Attach the "Danger" warning label to the outside of the firearm.

Use caution when activating the laser to avoid direct eye exposure, which can result in permanent eye damage. Follow all precautions as outlined by the firearms manufacturer. Keep this and all firearm related products locked and secured from children or other unauthorized users.