

## **WARNING: Read Thoroughly**

### **Before Use**

## **DO NOT DISCARD THESE SAFETY INSTRUCTIONS**

### **IF YOU SMELL GAS**

1. Disconnect gas to the appliance.
2. Extinguish any open flame.
3. If odor continues, immediately leave the premises and call your gas supplier or local fire department.

### **FOR OUTDOOR USE ONLY**

If stored indoors, detach hoses and leave fuel cylinder outdoors, with valve closed and plugged.

### **FUEL TYPE**

This unit is designed for use with propane only. No other fuel is approved for use with this unit.

### **FUEL CYLINDER**

Always store fuel bottles in a safe outdoor area with valve closed and plugged. Follow the manufacturer's recommendation for proper use and storage of propane cylinders. Do Not Place Propane Cylinders Directly Under Any Part of the Burners.

### **CAUTION**

Place the tank so as to minimize the possibility of someone tripping over the connection hoses while the cooker is set up. Never Lean Over or Stand too Near the Cooker, or Allow Children or Pets Near the Cooker During Use.

### **COMBUSTIBLE MATERIALS**

During operation of cooker, insure proper clearance from any combustible materials, in relation to the top, sides and back of cooking appliance. For outside use only. Do not use near flammable walls or under eaves or overhangs of homes or garages. Never leave unattended while hot or in use. Allow cooker to cool before take down and storage. The propane tank must always be stored outdoors in a well ventilated space. Never Stand or Lean Over Cooker Burner While Lighting.

### **FOR YOUR SAFETY**

Follow all safety, set-up, lighting and cooking instructions. Do not store or use gasoline or other flammable vapors and liquids in the vicinity of this or any other appliance.

THIS INSTRUCTION MANUAL CONTAINS IMPORTANT INFORMATION NECESSARY FOR THE PROPER ASSEMBLY AND SAFE USE OF THIS PRODUCT.

#### **2 Burner Blind Stove**

*Model: BS40C*

- Two Universal Output (34,000 BTU/hr) Cast Burners
- Appliance Style Temperature Controls
- Built-in Ignitor in Control Knobs

#### **3 Burner Blind Stove**

*Model: BS60C*

- Three Universal Output (51,000 BTU/hr) Cast Burners
- Appliance Style Temperature Controls
- Built-in Ignitor in Control Knobs

Regulator Model #  
150/451

10" Maximum Pot Diameter



KEEP FOR FUTURE REFERENCE

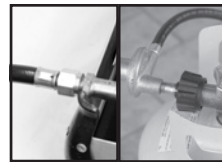
#### **STEP 1**



Use an adjustable or 3/4" wrench to connect flare fitting to stove fitting. Tighten securely with wrench. DO NOT OVER-TIGHTEN.

Before attaching regulator to tank, ensure that all valves are in the OFF position.

#### **STEP 2**



Attach regulator to tank. Check all connections to ensure tightness. With all valves in the off position, apply a soapy water solution to all fittings, valves and connections. Turn gas on at the tank and check for leaks at all connections. Small bubbles will appear if connection leaks. Tighten as needed.

#### **STEP 3**



Turn Tank on slowly. Turn control valve slowly to the High position. Cooker will ignite. Adjust controls to desired temperature. If ignition does not occur in 5 seconds, turn the burner control(s) off, wait 5 minutes, and repeat lighting procedure.

If built-in ignitor will not ignite burner, turn the controls to high and use a long nose ignitor to ignite the stove.

#### **REGULATOR**



New Type 1 Connection: Right hand turn to connect securely to New Type 1 tank.

#### **TROUBLE SHOOTING**



##### **PROBLEM WITH FLAME?**

(Flame should burn blue with a hint of yellow.) Yellow Flame: Adjust air shutter open until burner shows blue flame.

Still Yellow: Shut off valve(s) at stove and fuel tank Through air shutter opening, clean venturi (burner neck) of obstructions such as cobwebs, dirt or bugs.

##### **Open Tank Valve Slowly**

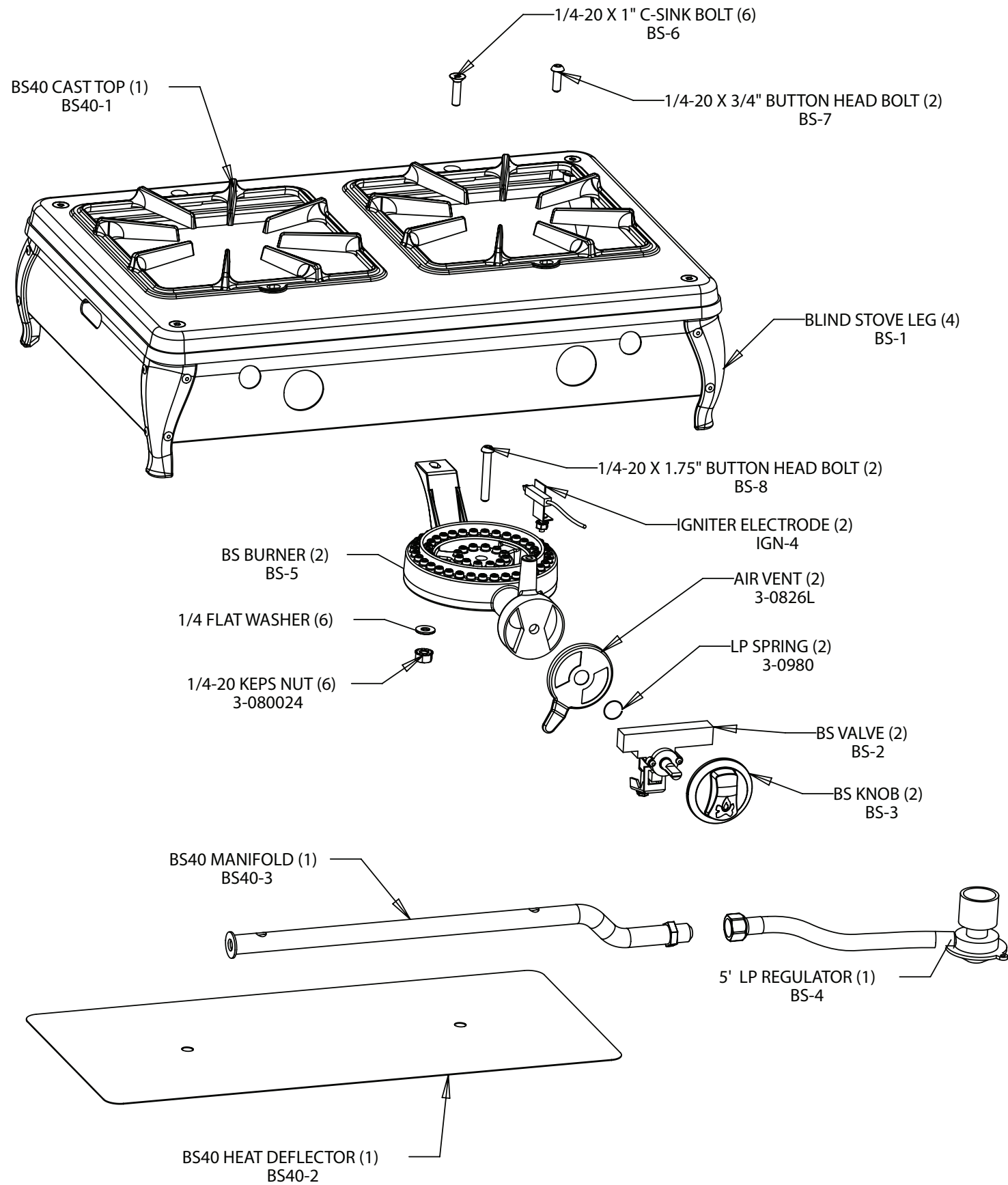
Small Flame: Flame will not adjust any larger... (Safety Feature: New Low Pressure Regulator will detect a sudden use of gas and automatically go into a "low flow" mode and needs to be reset) Turn off all valves at stove and at tank. Assure all fittings are tight and in good repair. Test for leaks. Repeat steps 2, 3 and 4.

##### **Open Tank Valve Slowly**

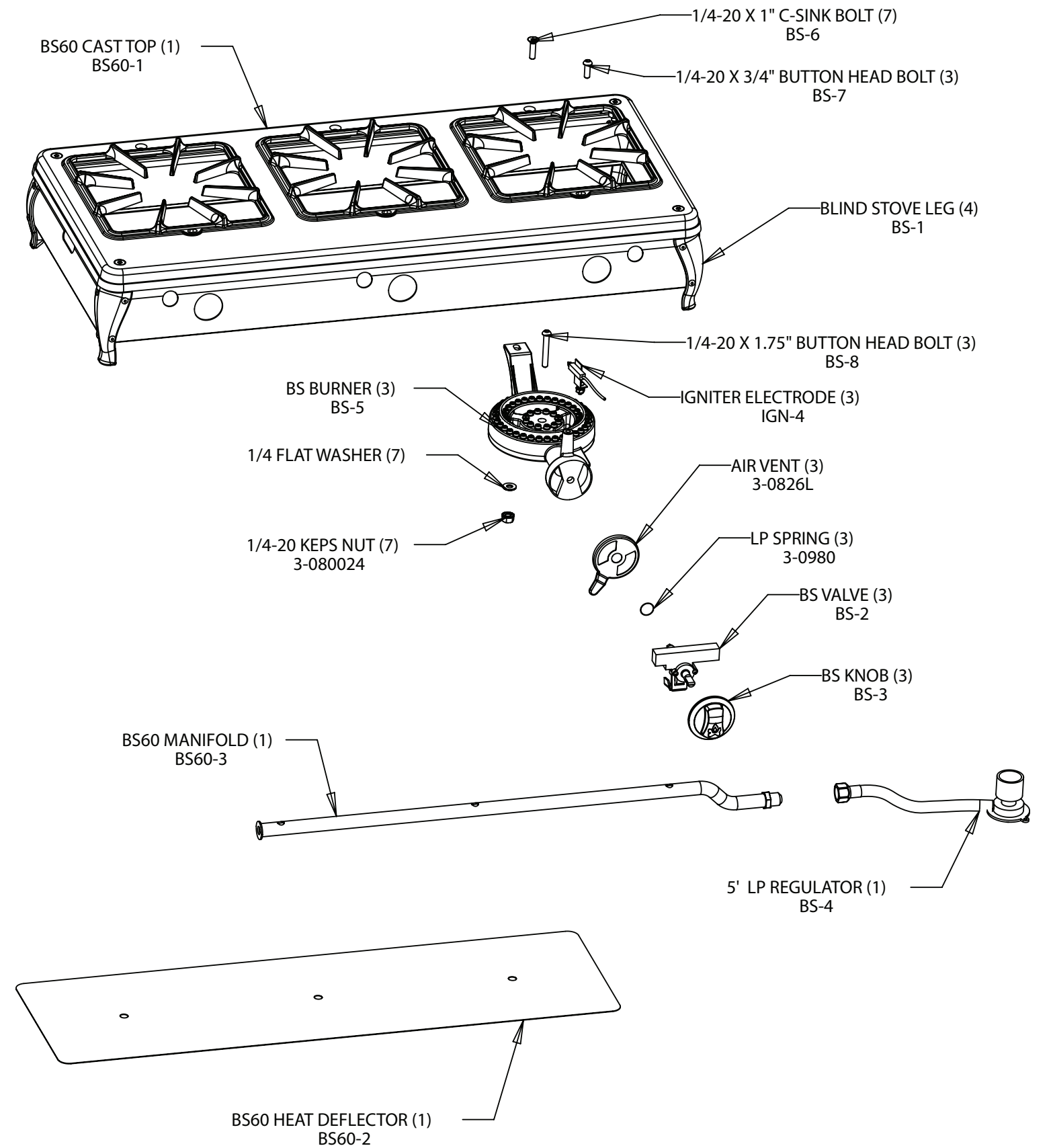


Low Pressure Burner

# BS40C PARTS LIST



# BS60C PARTS LIST



BS40C-PARTS-1110