



BLUE SKY™

OUTDOOR LIVING



MANUAL
**29" ROUND
BARREL FIRE PIT**

WBFB29-MD

FOR YOUR SAFETY

PLEASE READ AND UNDERSTAND ALL SAFETY RULES BEFORE USING THIS OUTDOOR FIRE PIT. FAILURE TO FOLLOW THESE INSTRUCTIONS COULD RESULT IN A HAZARDOUS FIRE, CAUSING PROPERTY DAMAGE OR PHYSICAL INJURY. SAVE THIS MANUAL FOR FUTURE REFERENCE.

WARNING: CARBON MONOXIDE HAZARD!

THIS FIRE PIT IS MADE FOR OUTDOOR USE ONLY.

BURNING WOOD PRODUCES CARBON MONOXIDE, WHICH HAS NO ODOR AND CAN CAUSE DEATH IF BURNED IN ENCLOSED AREAS. DO NOT USE THIS FIRE PIT IN ANY ENCLOSED SPACE, INCLUDING A BOAT OR RECREATIONAL VEHICLE.

WARNING

THIS FIRE PIT IS NOT FOR COMMERCIAL USE.

For adult use only – do not allow children to use the fire pit. Keep children and pets away from the fire pit while it is in use.

Use only on hard, level and inflammable surfaces such as brick, concrete, stone or other masonry surfaces. Do not use on lawns, wooden decks, artificial wood or asphalt.

Keep the outdoor fire pit a minimum of 10' (3.1 m) away from buildings, structures, flammable items and vehicles such as cars, trucks, vans, boats or RVs.

Do not store or use LP gas cylinders within 10' (3.1 m) of this fire pit while it is in operation.

Do not use under a patio roof, low hanging branches, trellis, patio umbrellas, arbors, pergolas or overhangs of any kind including covered porches.

Do not use in windy conditions.

 **WARNING**

Do not use this fire pit until it is completely assembled and all parts are securely tightened. Before each use make sure the outdoor fire pit is in good working condition.

Never use gasoline, alcohol or volatile fluids to start or restart fires.

For longer product life, keep fires to a respectable size. Do not overload. The length of the firewood should not exceed 3/4 of the width of the fire pit. Do not add additional firewood until the fire burns down.

Do not burn charcoal briquettes, lump charcoal, manufactured logs, driftwood, trash, leaves, papers, cardboard, plywood, or painted, stained or pressure treated wood.

Avoid using softwoods such as pine or cedar, because they are likely to throw sparks. The use of seasoned hardwood is recommended.

Do not leave fire unattended at any time, especially around children and pets.

Do not attempt to move the fire pit once the fire is started.

Use caution when tending the fire, as surfaces will become very hot.

Keep the spark screen in place whenever a fire is lit.

Use heat resistant mittens or gloves with the poker to remove the spark screen. The spark screen will become very hot.

Use caution when removing the spark screen as hot steam or a flare up could cause burns.

Use heat resistant mittens or gloves with the poker to move or pivot the grilling grate. The grilling grate will become hot during use.

Use caution after the fire has been extinguished. Surfaces will remain hot for some time.

This outdoor fire pit must be completely cooled off and all embers must be extinguished before any cover can be used.

WARNING

Do not place the fire pit in an area where it could be easily tripped over.

Do not lean over this fire pit when lighting or when in use. Do not wear flammable or loose clothing when operating this fire pit.

Do not place hot fire pit tools onto combustible surfaces such as grass or on a wooden deck or furniture.

Any modifications to this appliance may be dangerous and are not permitted.

The use of alcohol, prescription or non-prescription drugs may impair your ability to properly assemble or safely operate this fire pit.

Always use in accordance with all applicable local, state and national codes. Contact your local fire department for details on outdoor burning.

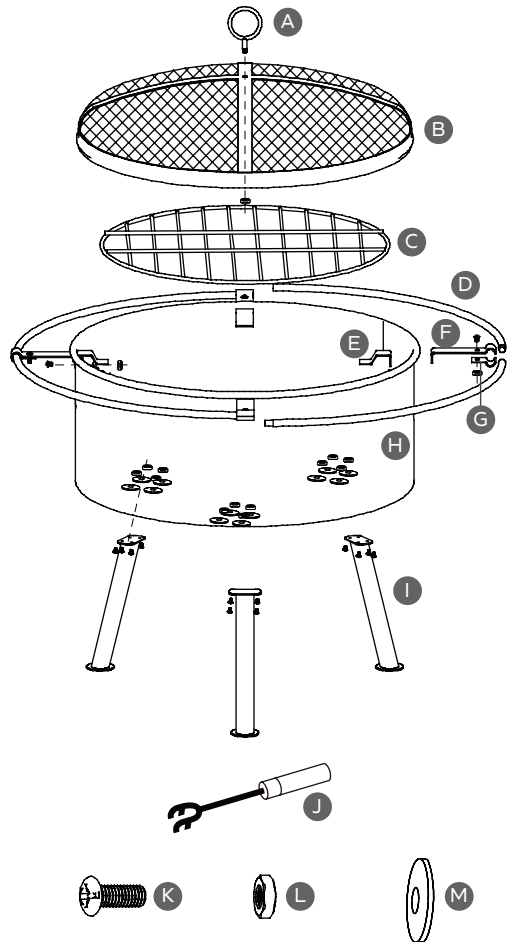
HELPFUL HINTS

- Before using, add a 1"-1.5" (2.5–3.75 cm) layer of sand to the bottom of the fire pit. This will help against the corrosive nature of the ashes and help radiate the heat upwards.

PARTS LIST

UNPACK PARTS, MAKING SURE ALL PIECES ARE PRESENT BEFORE ATTEMPTING TO ASSEMBLE.

REF	QTY	DESCRIPTION
A	1	Spark Screen Loop
B	1	Spark Screen
C	1	Grilling Grate
D	4	Decorative Ring Sections
E	4	Grate Support
F	4	Upper Ring Support
G	4	Bottom Ring Support
H	1	Fire Bowl
I	3	Leg
J	1	Spark Screen/Grate Lift
K	20	M6 x 10 mm Bolt
L	21	M6 Nut
M	12	Ø6 x 20 mm Washer



ASSEMBLY

TOOLS REQUIRED: PHILLIPS SCREWDRIVER, PLIERS

NOTE: USE TWO PEOPLE TO LIFT AND TURN THE FIRE BARREL.

NOTE: TO ENSURE AN EASIER ASSEMBLY, WE STRONGLY ADVISE ONLY FINGER TIGHTENING BOLTS DURING INITIAL ASSEMBLY. ONCE ALL BOLTS ARE INSERTED, FULLY TIGHTEN ALL BOLTS. DO NOT OVERTIGHTEN.

NOTE: BOLTS SHOULD BE INSERTED THROUGH WASHERS (WHERE APPLICABLE) AND THROUGH THE OUTSIDE OF THE FIRE PIT, THEN SECURED WITH NUTS ON THE INSIDE.

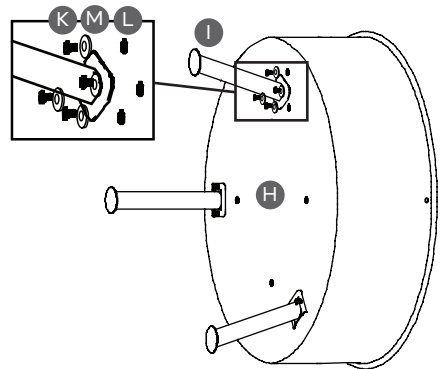
STEP 1

Carefully turn the fire bowl [H] on its side on a soft surface to protect the finish.

Attach the three legs [I] to the bottom of the fire bowl using four M6 x 10 bolts [K], Ø6 x 20 mm washers [M] and M6 nuts [L] per leg.

Make sure to tighten all bolts, but do not overtighten.

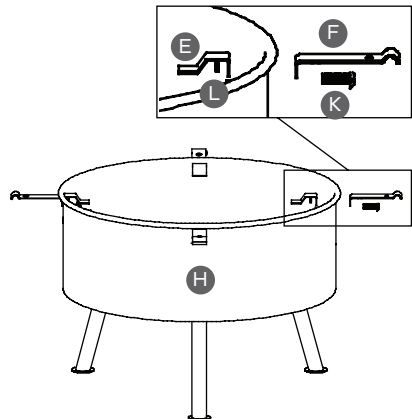
Turn the fire bowl upright.



STEP 2

Attach the four grate supports [E] and four upper ring supports [F] to the fire bowl [H] using four M6 x 10 bolts [K] and M6 nuts [L].

NOTE: It is important to keep all supports straight after they are assembled.



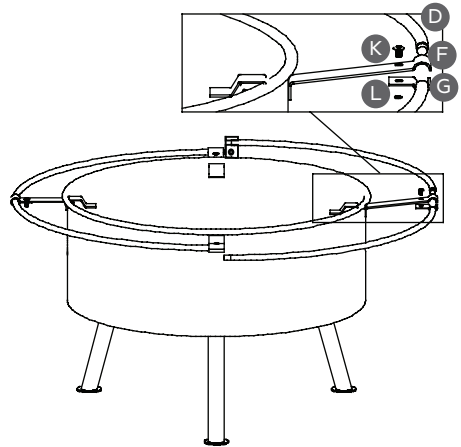
STEP 3

Join two of the decorative ring sections [D] and place them under the loop on one of the decorative ring upper supports [F]. While holding these parts in place, put one bottom ring support [G] under the ring and screw the upper and lower supports together using one M6 x 10 bolt [K] and M6 nut [L].

Repeat with the other two decorative ring sections on the opposite side of the fire pit.

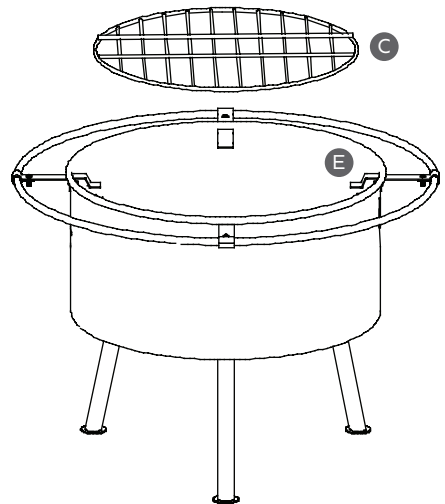
Then repeat to join the two half rings together to secure the full ring in place.

Make sure to tighten all bolts, but do not overtighten.



STEP 4

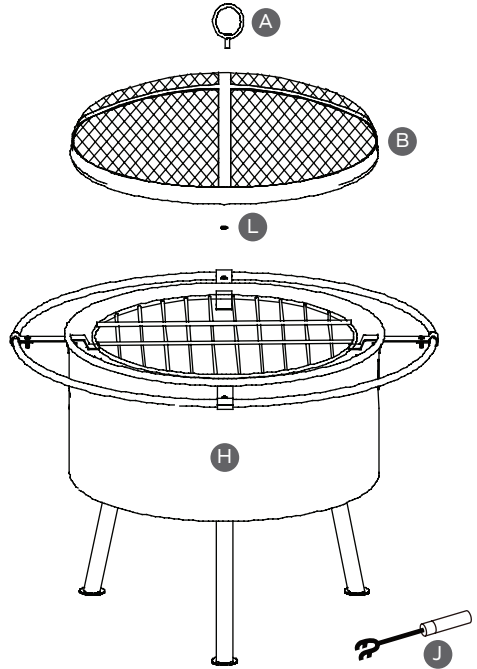
Insert the grilling grate [C] into the fire bowl and rest on the four grate supports [E].



STEP 5

Insert the threaded end of the spark screen loop [A] through the center of the spark screen [B] and secure it on the other side with one M6 nut [L].

Once the fire is lit, place the assembled spark screen on top of the fire pit using the spark screen/grate lift [J].



CARE AND MAINTENANCE

- Clean out ashes after each use. Be sure to wait until the fire pit is completely cooled. Do not attempt to clean while hot.
- Store the fire pit in a dry place out of the weather. The fire pit should not be left outside uncovered when not in use. Store your fire pit in a dry location out of the weather to ensure continued use. Exposure to weather, heavy use and UV rays may cause this product to develop a rusted patina.



WARNING

Cancer and Reproductive Harm

Discover other outdoor heating on our website.