

CHILDREN'S ELECTRONIC TOY ATV



WARNING

Must be assembled by an adult.

- Suitable for 3+ Years
- Maximum user weight: 50 kg

OWNERS MANUAL

with Assembly Instructions

Read and understand this entire manual before using!

**Please keep this manual for future reference as it contains important information.
Before first time use, charge the battery for at least 8-12 hours.**

On the purchase of your new Ride-On.

This ride-on car will provide your child with many miles of riding of enjoyment. To help assure you and your rider a safe ride we ask you to please read this manual carefully, and keep it for future reference.

Follow the recommendations in this manual, they are designed to improve the safety and operation of your ride-on car and its rider.

Specification

Suitable age: 3+ Years

Battery: **2WD** 12V 7AH x1

4WD 12V 7AH x2 or 12V 10AH x1

Charge time: 8~12 hours

Charge: Input: depend on local voltage

output: **2WD** DC12V700mA **4WD** DC12V1000mA

Load capacity: Under 50 kg

Size of car: 124 x 82.6 x 81 cm

Speed: 3-5 km/h

Motor: 540-12000



BATTERY INFORMATION

- Non-rechargeable batteries are not to be recharged.
- If removable rechargeable batteries are used, they are only to be charged under adult supervision.
- Remove rechargeable batteries from the product before charging.
- Do not mix old and new batteries. Do not mix different types of batteries: alkaline, standard (carbon-zinc) or rechargeable (nickel-cadmium).
- Insert batteries as indicated inside the battery compartment, anode to anode, cathode to cathode.
- Remove batteries during long periods of non-use. Always remove exhausted batteries from the product. Battery leakage and corrosion can damage this product. Dispose of batteries safely.
- Never short circuit the battery terminals.

Parts List

B

NO.	PART NAME	Q'TY (PCS)		REMARK
		2WD	4WD	
1	Vehicle body	1		
2	Gear box	2	4	
3	Wheel	4		
4	Φ10 washer	8		
5	Lock nut	4		
6	Wheel cover	4		
7	Windshield	1		
8	Seat	1		
9	Rear light bar	1		
10	Rear axle	1		
11	Steering wheel	1		
12	M5X40 machine screw	1		
13	Φ5 nut	1		
14	Remote controller	1		
15	Charger	1		
16	Φ 4x16 screw	2		
17	Front axle	1		
18	Hex wrench	2		
19	Spanner	2		
20	Mp3 cable	1		

• Assembly tools required:

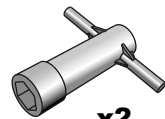


Screwdriver
(not included)



x2

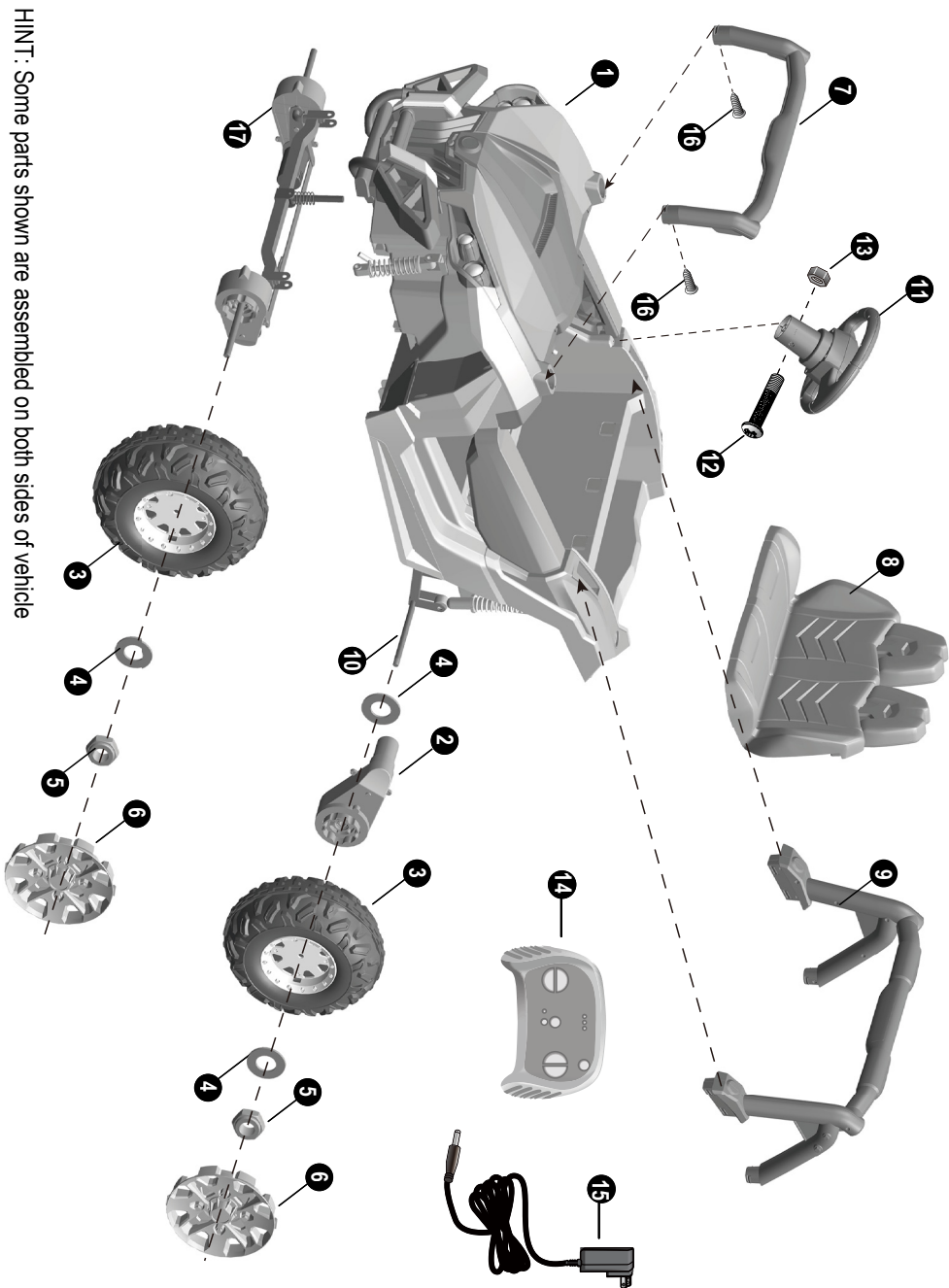
18 Hex wrench



x2

19 Spanner

Parts Diagram



HINT: Some parts shown are assembled on both sides of vehicle



PREVENT INJURIES AND DEATHS:

- **NEVER LEAVE CHILD UNATTENDED. ADULT DIRECT SUPERVISION IS REQUIRED.** Always keep child in view when child is in vehicle.
- This toy should be used with caution since skill is required to avoid falls or collisions causing injury to the user or third parties.
- Protective equipment should be worn.
- Never use in roadways, near cars, or on near steep inclines or steps, swimming pools or other bodies of water.
- Always wear shoes, always sit on the seat.
- Not to be used in traffic.
- This toy is unsuitable for children under 36 months due to its maximum speed; Maximum user weight is 50 kg.
- This toy has no brake.

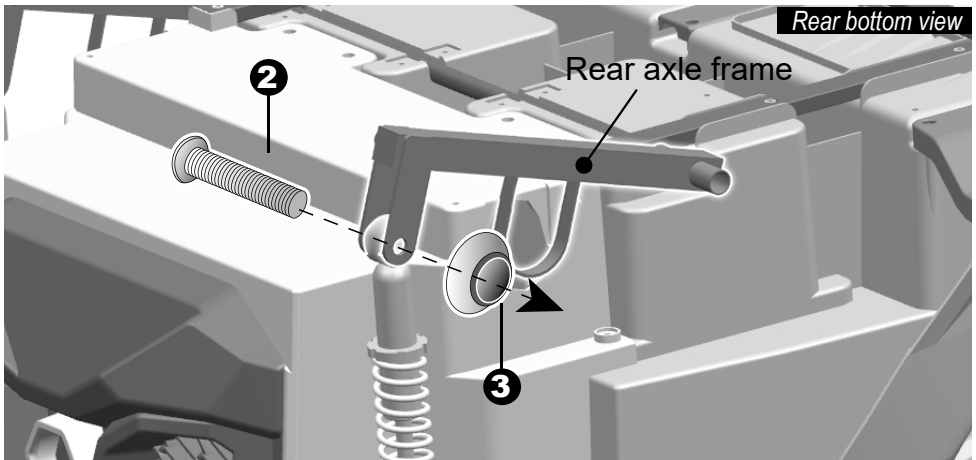
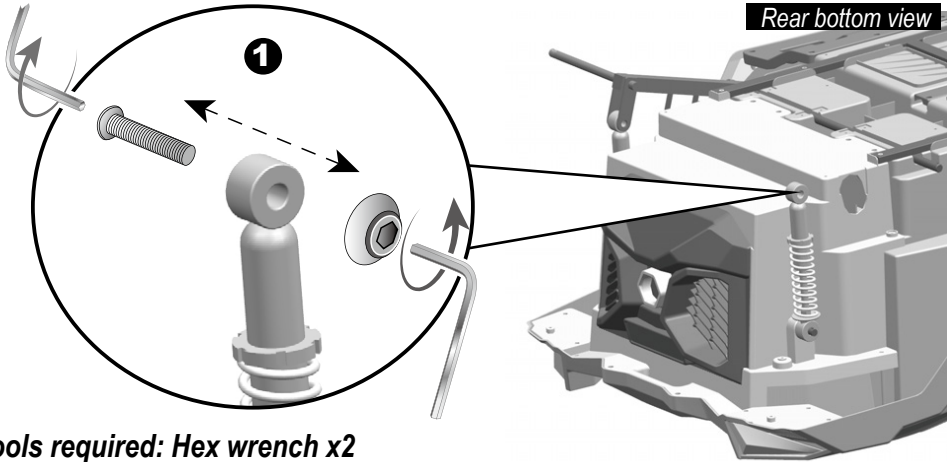


WARNING:

- **CHOKING HAZARD!** Not suitable for children under 37 months.
- **Must be assembled by an adult.**

Rules for Safe Riding

- Keep Children within Safe Riding Areas:
 - Never use in roadway, near motor vehicles, on lawn space, on or near steep inclines or steps, swimming pools or other bodies of water;
- Use the toy only on flat surfaces. Such as inside your house, garden or playground.
- Never use in the dark. A child could encounter unexpected obstacles and have an accident. Operate the vehicle only in the daytime or a well-lit area.
- It is prohibited to change the circuit or add other electric parts
- Inspect wires and connections of the vehicle periodically.
- Do not let any child touch the wheels or be near them when the car is moving .
- This vehicle has adjustable play seat belts. Please instruct children how to tie the safety belt before using, guarantee the security.

E**Attach the Rear Shock Absorbers**

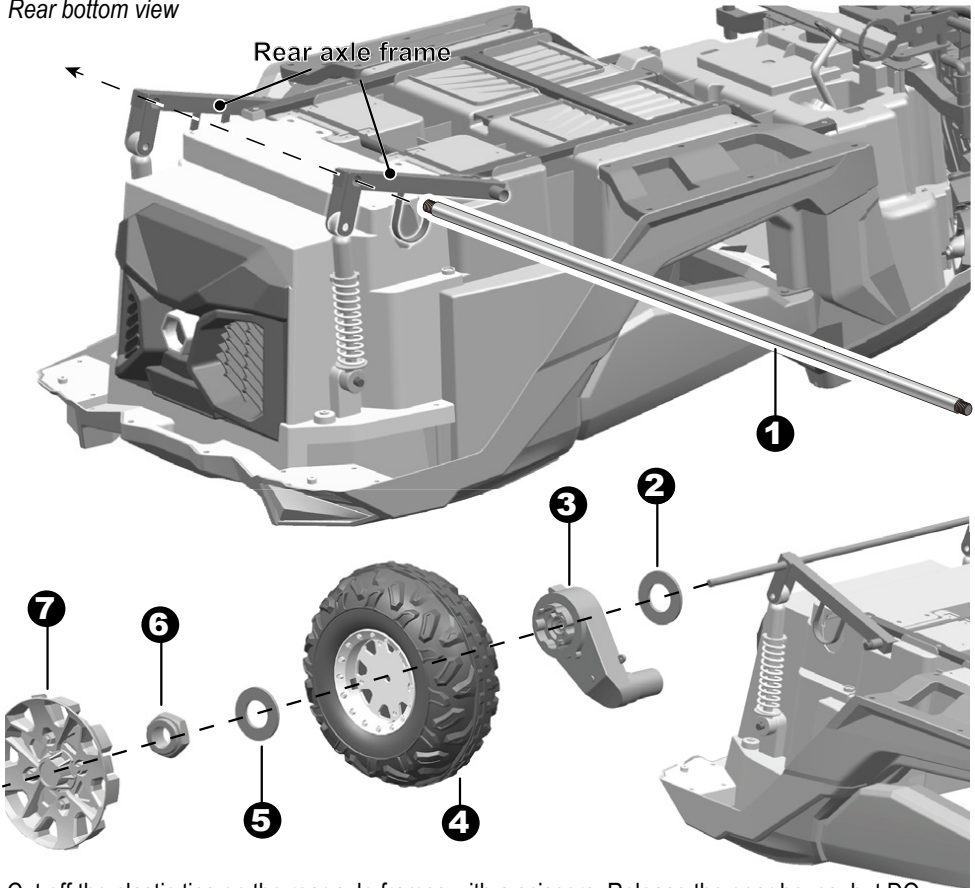
Turn the vehicle body downside up.

1. Remove the screws and the nuts from the rear shock absorbers with two hex wrenches.
2. Line up the holes on the rear axle frame with the holes on the rear shock absorber, and reinsert the screw, and fasten the nut on the opposite side.

Attach the Rear Wheels

E

Rear bottom view



Cut off the plastic ties on the rear axle frames with a scissors. Release the gear boxes, but DO NOT disconnect the connectors of the gear boxes.

1. Insert the rear axle into holes on the rear axle frames.
2. Slide a $\Phi 12$ washer onto the rear axle.
3. Slide the gear box onto the rear axle.
4. Slide the wheel onto the rear axle. ensure the wheel match up with the gear box.
5. Slide another $\Phi 12$ washer onto the rear axle.
6. Tighten a lock nut to the end of the rear axle with a spanner.

Repeat the above procedure to assemble the other rear wheel to the rear axle.

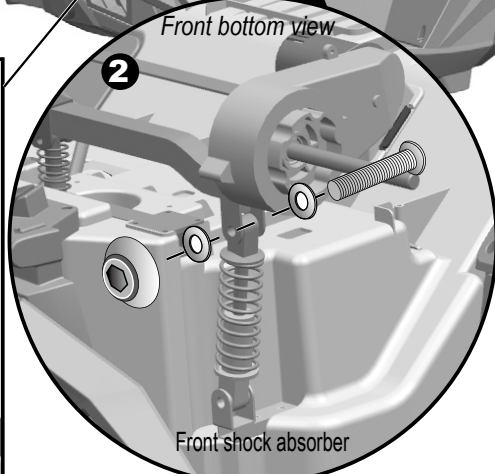
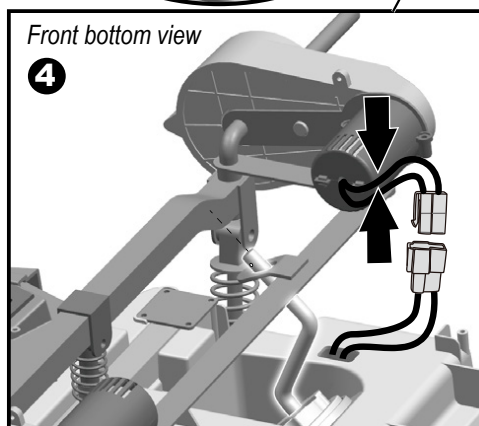
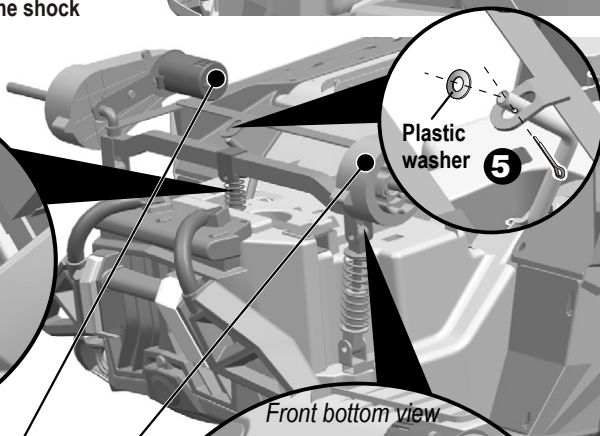
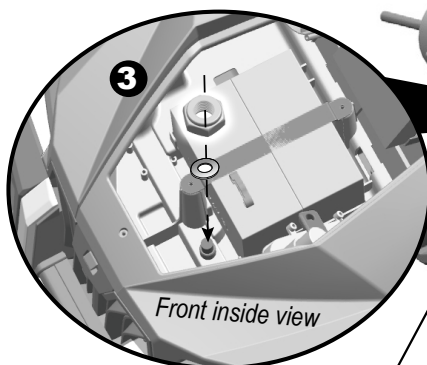
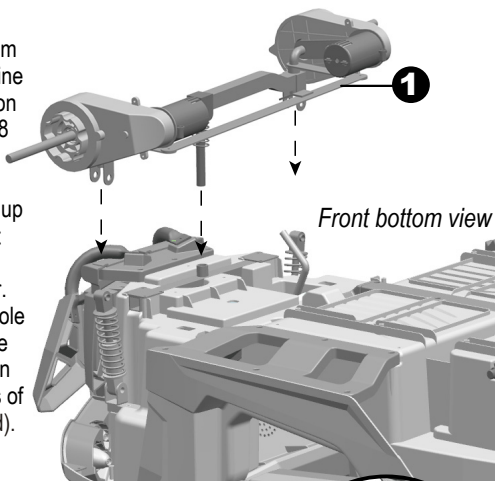
HINT: An extra spanner has been provided to hold the Lock Nut on the other side of the rear axle while tightening the Lock Nut on the other side.

7. Insert the tabs on the wheel cover into the slots on the wheel.

E Attach the Front Axle (Normal type factory done already)

1. Fit the front axle to the front of the vehicle.
2. Remove the screws, $\Phi 8$ washer *2 and the nuts from the rear shock absorbers with two hex wrenches. Line up the holes on the front axle frame with the holes on the front shock absorber, and reinsert the screw, $\Phi 8$ washer *2 and fasten the nut on the opposite side. Repeat for the other side.
3. Press the button located at the front of hood and lift up the hood. Slide a $\Phi 12$ washer and tighten a locknut with a spanner.
4. **4WD ONLY.** Plug the connectors into each other.
5. Insert the bent end of the steering column into the hole on the front axle linkage. Fit a **plastic washer** to the bent end of the steering column and insert a split pin into the hole on the steering column, bend the ends of split pin back using a long nose pliers (not included).

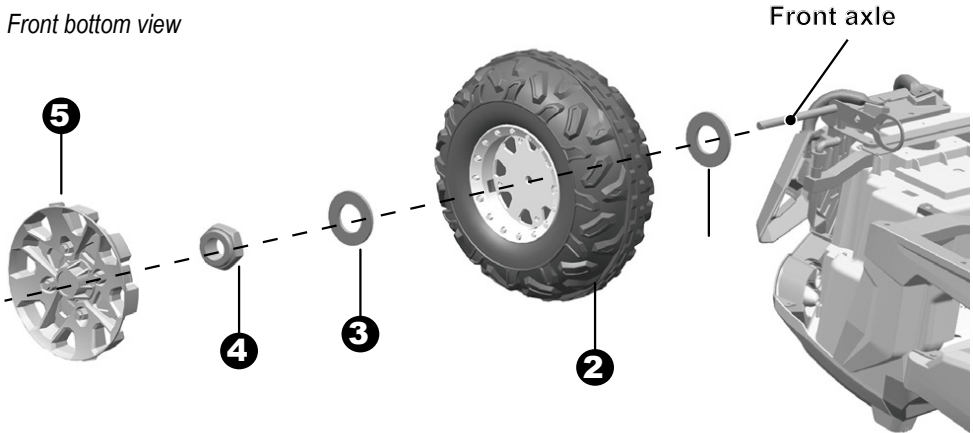
HINT: You may tighten the nuts on the shock absorber to adjust the tightness of the shock absorbers.



Attach the Front Wheel & Steering Wheel

E

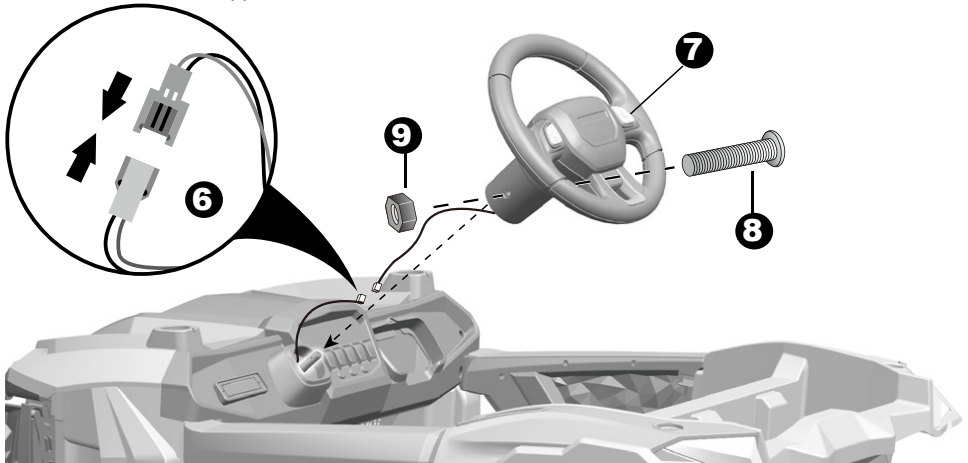
Front bottom view

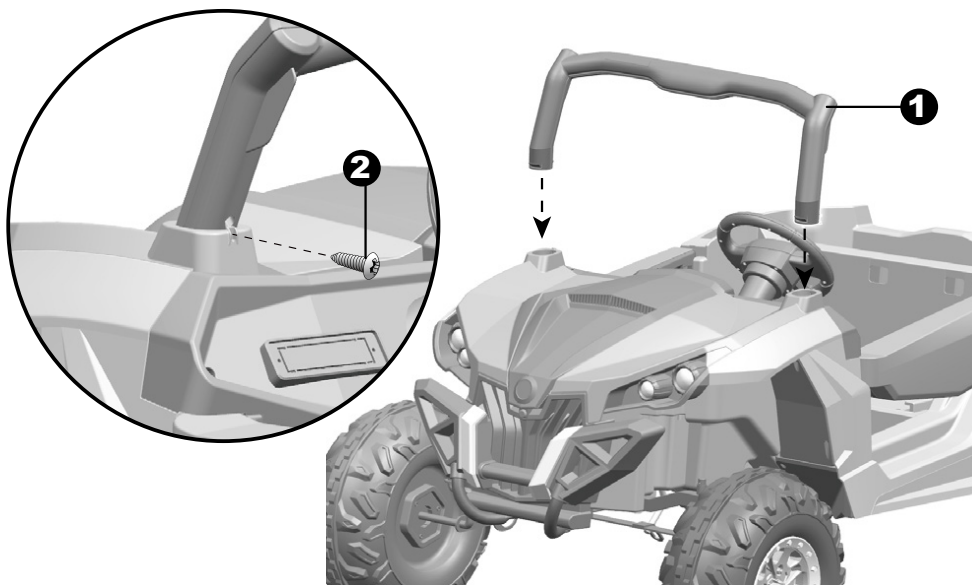


1. Slide a wheel onto the front axle. **If your vehicle was Four Wheels Driving type, ensure the wheel match up with the gear box on the front axle.**
2. Slide a $\Phi 12$ washer onto the front axle.
3. Tighten a lock nut to the end of the front axle with a spanner. DO NOT over tighten.
4. Insert the tabs on the wheel cover into the slots on the wheel.

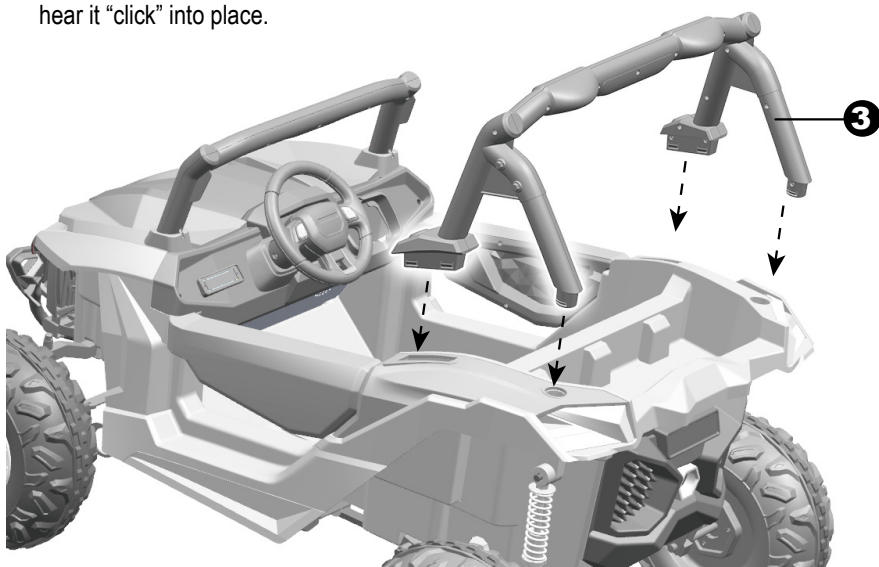
Turn the vehicle body over.

5. Plug the sound unit connector on the steering wheel into the connector on the vehicle body.
6. Fit the steering wheel to the end of the steering column.
7. Line up the holes on the steering wheel with the holes on the steering column, insert the M5x40 machine screw.
8. Fasten a nut on the opposite end of the screw with a screwdriver.



E**Attach the Windshield & Rear Light Bar**

1. Insert the tabs of the windshield into the holds on the vehicle body. Push until you hear it “snap” into place.
2. Insert two $\Phi 4 \times 16$ screws through the vehicle wall and into the windshield and tighten.
3. Insert the tabs on the rear light bar into the opening on the rear of vehicle, and push until you hear it “click” into place.

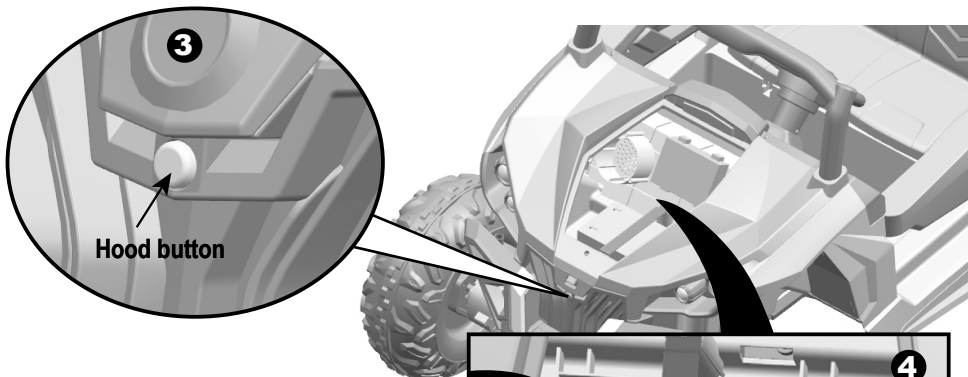
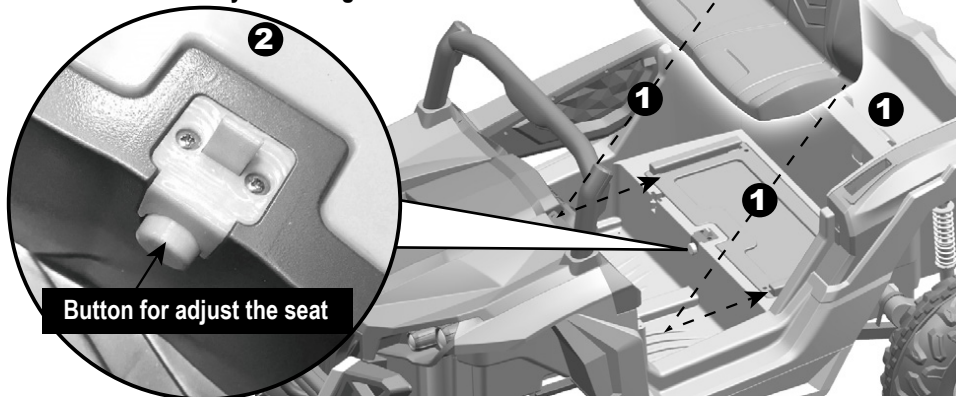


Attach the Seat & Connect the Power Supply

E

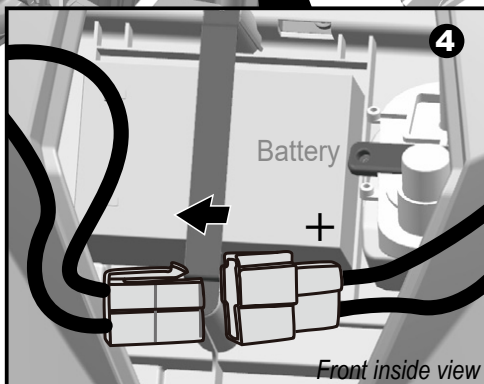
1,2. Aligned the slide strip under the seat with the slide way on the top of seat base, press the button located at the front of the seat base till the tabs on the back of seat inserted into the holes on the vehicle.

HINT: The seat is adjustable and has three position. You can move the seat back as your child grows.



3. Press the button located at the front of hood and lift up the hood.

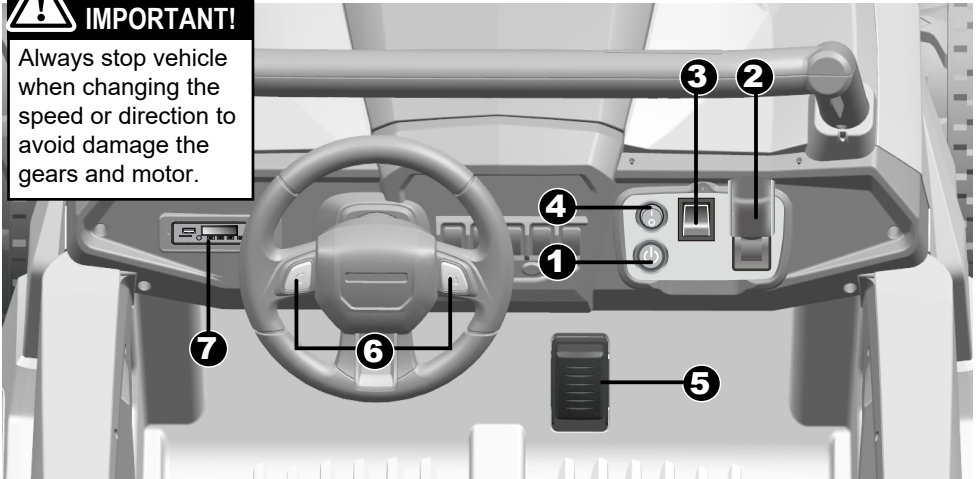
4. Plug the red power connector into the red terminal on the battery. Replace the hood.



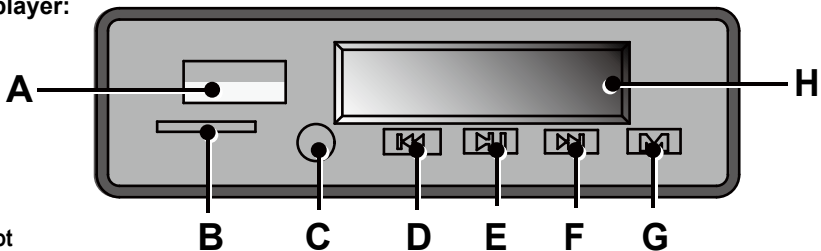


IMPORTANT!

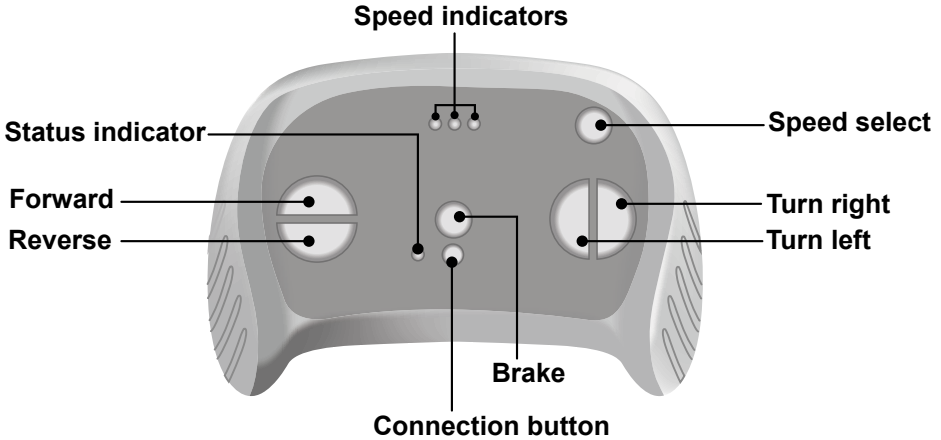
Always stop vehicle when changing the speed or direction to avoid damage the gears and motor.



1. **Power Switch:** Turns the vehicle on and off.
2. **Forward/Reverse switch:** Changes the direction that vehicle moves from forward to reverse. The vehicle equipped with 3 speeds in forward: high speed / normal speed / low speed.
3. **2WD / 4WD switch:** Changes the vehicle moves in 2WD or 4WD mode.
4. **Lights switch:** Turns the vehicle lights on and off.
5. **Foot pedal:**
 - To move the vehicle, press the pedal down.
 - To brake or slow down, release pressure from the pedal.
6. **Sound buttons:** Press for sound and horn playing. Long press for +/- volume.
7. **Mp3 player:**



- A. USB slot
- B. TF card slot (Read mp3 format only)
- C. AUX input
- D. Previous / Increase volume
- E. Play / Pause
- F. Next / decrease volume
- G. Change the audio input (If you insert two or more audio input devices). It also controls the bluetooth and FM functions.
- H. Display screen: It displays the power level of the battery when the vehicle stops. When the numerical value is less than 12, recharge the battery please.



Attach the batteries of controller

Lift the battery compartment door on the back of the controller and insert two AAA(LR03) batteries.

HINT: Batteries not included. Refer to the Battery Information on the page 1.

1. Build connection

Press the **Connection button** for 2 seconds, the status indicator flashes, then turn on the power switch located on the the vehicle dash, when the status indicator **turns off about 2 seconds and turns into long bright**, means the connection successful. If the status indicator makes no response, means the connection failed. Replace the batteries and try again.

2. Brake button

Press the button to stop the vehicle, press it again to release the brake.

3. Speed select button

The switch operates the vehicle to move in low, normal or high speed.

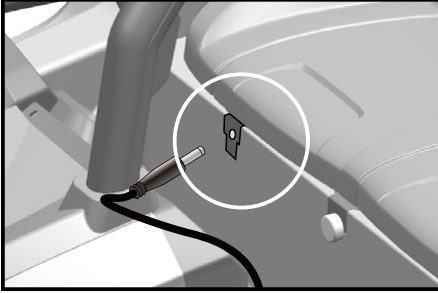
HINT: This switch won't work while your vehicle moves reverse.

NOTE:

- Leave the remote controller idling for about 10 seconds, it will shut down automatically.
- Rebuild connection when you replace the batteries of the remote controller.

Charging

H



- The POWER SWITCH must be turned in **OFF** position when charging.
 - Before the first use, you should charge the battery for 4-6 hours. Do not recharge the battery for more than 10 hours to avoid overheating the charger.
 - When the vehicle begins to run slowly, recharge the battery.
1. Plug the charger port into the input socket. (below the seat)
 2. Plug the charger plug into a wall outlet. The battery will begin charging.



WARNING!

This product with **Charging Protection**: when charging, all functions will be cut off! Only an adult can charge and recharge the battery!

I

Maintaining

- It is parents' responsibility to check main parts of the toy before using, must regularly examine for potential hazard, such as the battery, charge, cable or cord, plug, screws are fastening enclosure of other parts and that in the event of such damage, the toy must not be used until that damage had been properly removed.
- Make sure the plastic parts of the vehicle are not cracked or broken.
- Occasionally use a lightweight oil to lubricate moving parts such as wheels.
- Park the vehicle indoors or cover it with a tarp to protect it from wet weather.
- Keep the vehicle away from sources of heat, such as stoves and heaters. Plastic parts may melt.
- Recharge the battery after each use. Only an adult can handle the battery. Recharge the battery at least once a month when the vehicle Raider is not being used.
- Do not wash the vehicle with a hose. Do not wash the vehicle with soap and water. Do not drive the vehicle in rainy or snowy weather. Water will damage the motor, electric system and battery.
- Clean the vehicle with a soft, dry cloth. To restore shine to plastic parts, use a non-wax furniture polish. Do not use car wax. Do not use abrasive cleaners.
- Do not drive the vehicle in loose dirt, sand or fine gravel which could damage the moving parts, motors or the electric system.
- When not using, all the electrical source should be turn off. Turn off the power switch and disconnect the battery connection.

Troubleshooting Guide

Problem	Possible Cause	Solution
Vehicle does not run	Battery low on power	Recharge battery.
	Thermal fuse has tripped	Reset fuse, see <Fuse>
	Battery connector or wires are loose	Check that the battery connectors are firmly plugged into each other. If wires are loose around the motor contact your distributor please.
	Battery is dead	Replace battery, contact your distributor please.
	Electrical system is damaged	Contact your distributor please.
	Motor is damaged	Contact your distributor please.
Vehicle does not run very long	Battery is under charged	Check that the battery connectors are firmly plugged into each other when recharging
	Battery is old	Replace battery, contact your distributor please.
Vehicle runs sluggishly	Battery low on power	Recharge battery, contact your distributor please.
	Battery is old	Replace battery, contact your distributor please.
	Vehicle is overload	Reduce weight on vehicle. Maximum user weight is 50 kg.
	Vehicle is being used in harsh conditions	Avoid using vehicle in harsh conditions ,see <Safety>.
Vehicle needs a push to go forward	Poor contact of wires or Connectors	Check that the battery connectors are firmly plugged into each other. If wires are loose around the motor, contact your distributor please.
	“Dead Spot” on motor	A dead spot means the electric power is not being delivered to the terminal connection and the vehicle needs repair. Contact your distributor please.
Difficult shifting from forward to reverse or vice-versa	Attempting to shift while the vehicle is motion	Completely stop the vehicle and shift, see <Use Your New Vehicle>
Loud grinding or clicking noises coming from motor or gear box	Motor or gears are damaged	Contact your distributor please.
Battery will not recharge	Battery connector or adapter connector is loose	Check that the battery connectors are firmly plugged into each other.
	Charger not plugged in	Check that the battery charger is plugged into a working wall outlet.
	Charger is not working	Contact your distributor please.
Charger feels warm when recharging	This is normal and not a cause for concern	

Completely read through this manual and the troubleshooting guide table before calling. If you still need help resolving the problem **Contact your distributor please.**

Disposal Of Battery



- Your sealed lead-acid battery must be recycled or disposed of in an environmentally sound manner.
- Do not dispose of your lead-acid battery in a fire. The battery may explode or leak.
- Do not dispose of a lead-acid battery in your regular, household trash. The incineration, land filling or mixing of sealed lead-acid batteries with household trash is prohibited by law.

Our products are suitable for ASTM F963; GB6675; EN71 and EN62115 standard.