

# INSTRUCTIONS FOR USE AND ASSEMBLY



## BATTERY

REF. 680 / REF. 6802 / REF. 6803

-6V-

REF. 681/6812/6813

-6V-

REF. 680 / REF. 681/REF. 6802  
REF. 6812 / REF. 6803 / REF. 6813

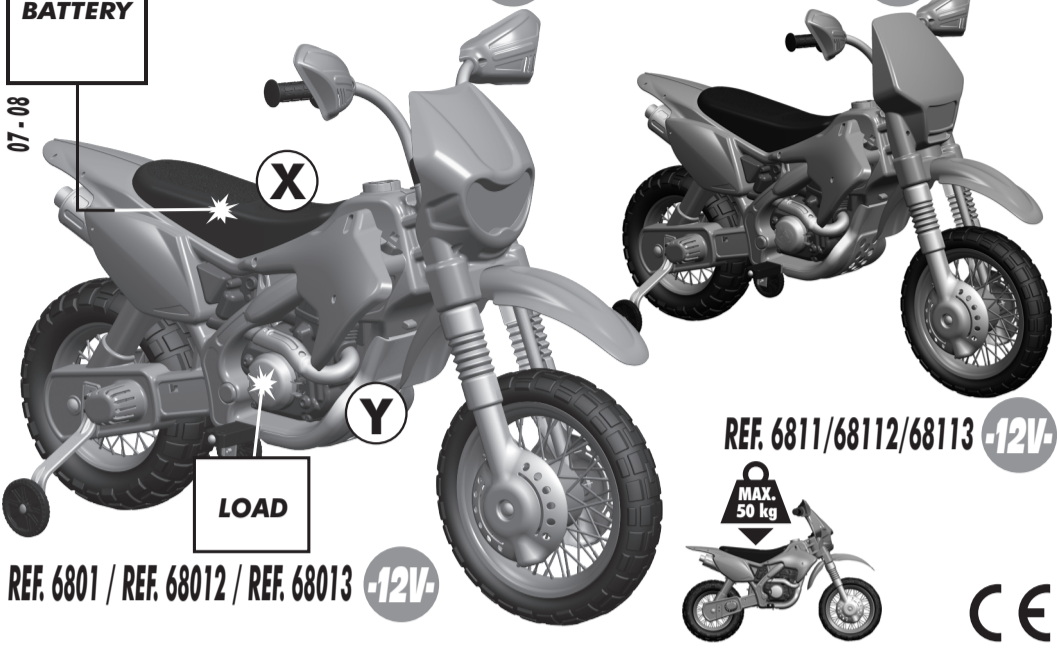
EN

REF. 6801 / REF. 6811 / REF. 68012  
REF. 68112 / REF. 68013 / REF. 68113

REF. 680 / REF. 681 / REF. 6802 / REF. 6812 / REF. 6803 / REF. 6813  
(EN) • This article can only be used with a 6V rechargeable battery of the make INJUSA and a 6V battery charger of the make INJUSA ref. 992. Only the specified batteries are to be used.

REF. 6801 / REF. 6811 / REF. 68012 / REF. 68112 / REF. 68013 / REF. 68113  
(EN) • This article can only be used with a 12V rechargeable battery of the make INJUSA and a 12V battery charger of the make INJUSA ref. 993. Only the specified batteries are to be used.

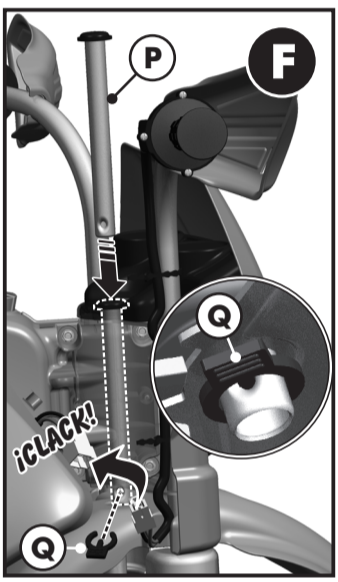
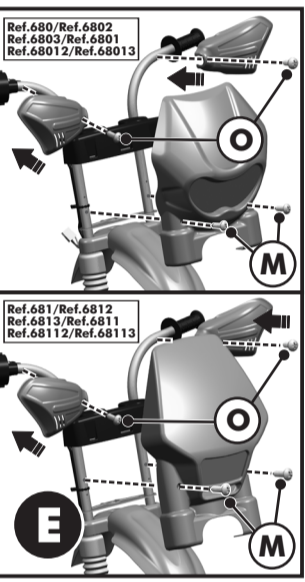
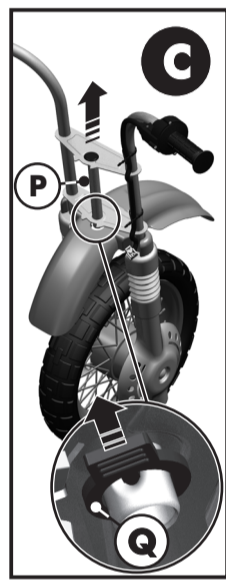
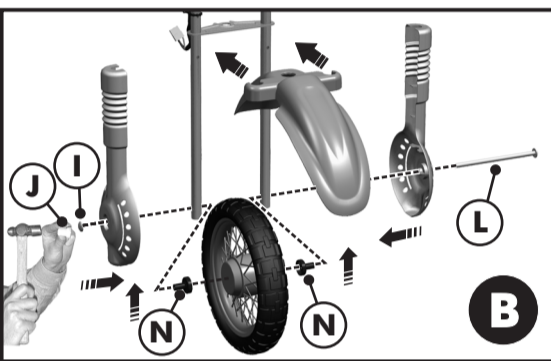
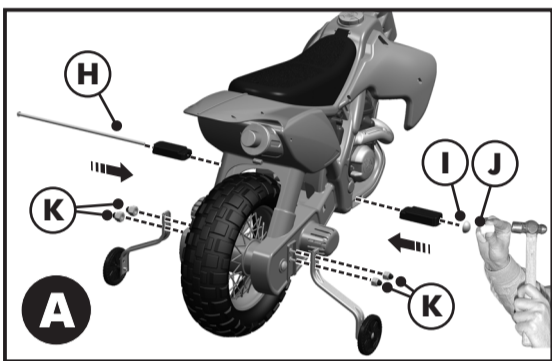
07-08



REF. 6811/68112/68113

CE

## ASSEMBLY



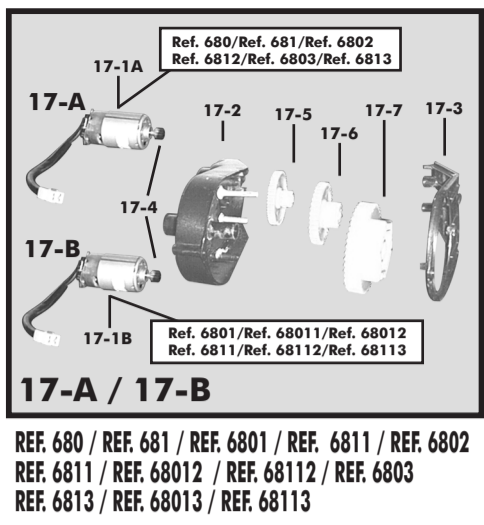
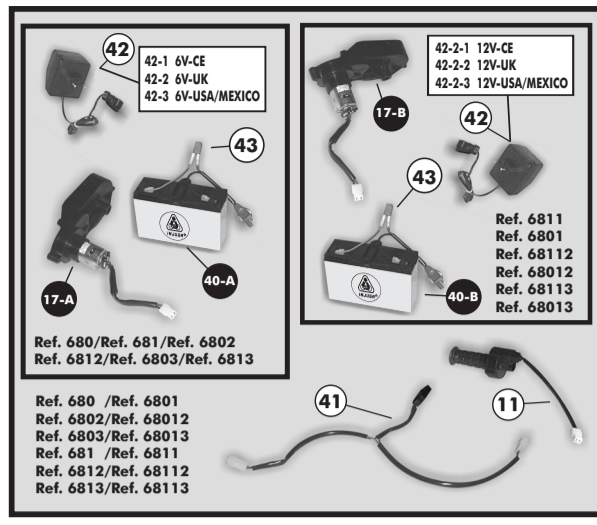
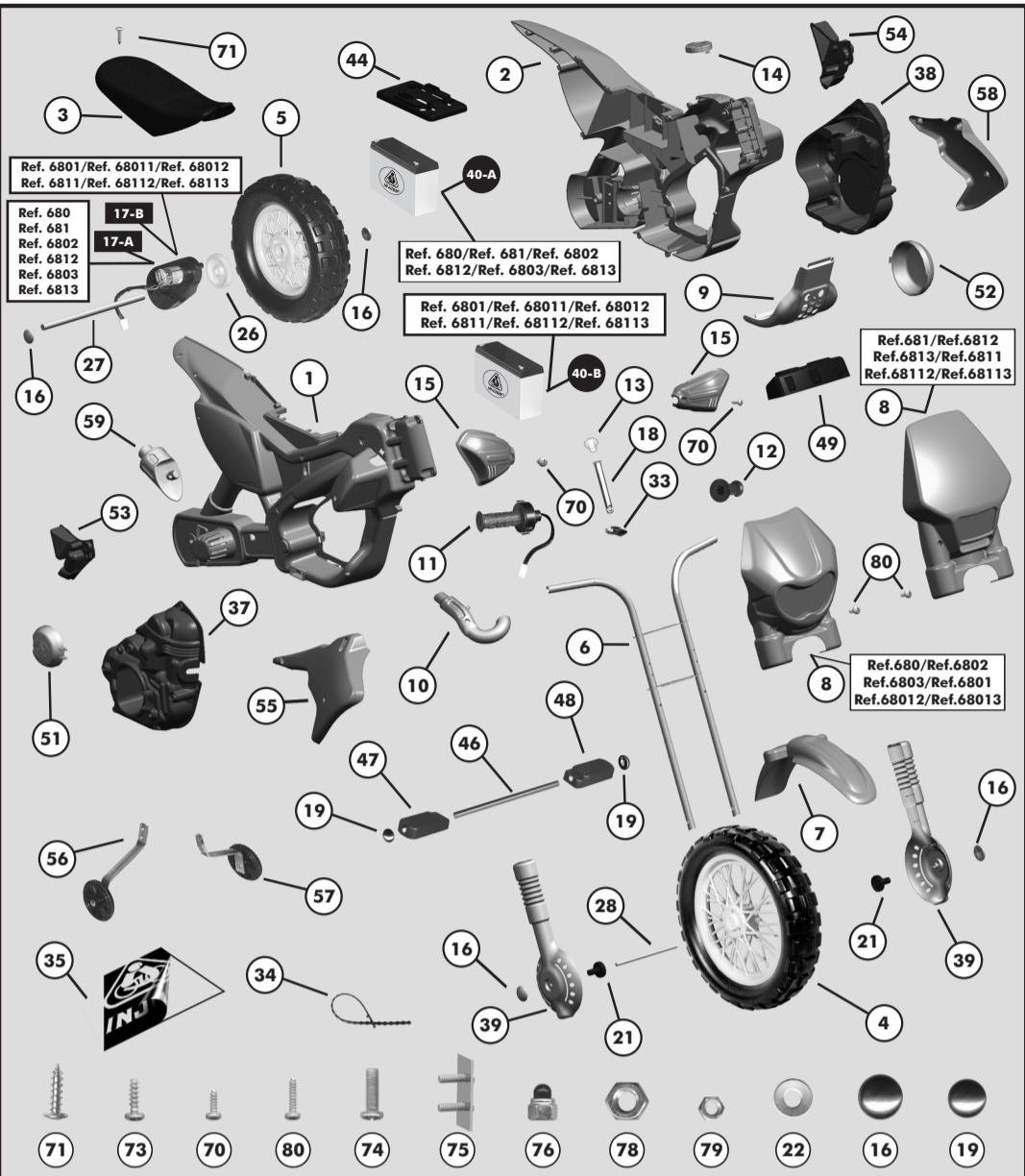
- H ▶  $\varnothing 8 \times 375 \text{ mm}$  X 1
- I ▶  $\varnothing 8$  X 2
- J ▶ Pin X 1
- K ▶ M6 X 4
- L ▶  $\varnothing 8 \times 180 \text{ mm}$  X 1
- M ▶  $\varnothing 4,8 \times 19$  X 2
- N ▶ Key X 2
- O ▶  $\varnothing 4,8 \times 13$  X 2
- P ▶  $\varnothing 16$  X 1
- Q ▶ Glove X 1

## INSTRUCTIONS FOR USE

### ENGLISH

- **VERY IMPORTANT!** Read all instructions before using the vehicle for the first time. Keep the instructions for future reference. **THIS TOY MUST BE ASSEMBLED BY AN ADULT.** Remove assembly tools and wire binders before handing toy over to children.
- A wrong fitting of the track rod can be dangerous.
- **DO NOT OVERLOAD THE VEHICLE, IT IS DESIGNED FOR THE USE OF ONE CHILD.**
- **WARNING! USE IN THE PRESENCE OF AN ADULT.**
- **DO NOT USE** the vehicle on public highways.
- Make sure that the area is big enough and suitable for use without any steep slopes, landings, steps etc.
- **CAUTION!** do not leave the vehicle near a heat source (radiators, etc...). **DO NOT PUT** the vehicle in water or sand.
- **CAUTION!** always disconnect charger before cleaning toy. Do not use abrasive cleaning products, or spray it directly with water. To clean the vehicle, use a lightly dampened cloth. **NEVER** wet the vehicle carriage parts: the motor, cables, fuse, batteries and connectors.
- The battery, charger, cables, connectors and the frame must be inspected periodically to avoid possible danger. If any part has deteriorated, it must be corrected before use.
- Vehicle condition, must be regularly checked, especially all of the fastening parts the parts that wear off. It must also be checked that the vehicle steering is operating correctly.
- **INJUSA WARNING:** Non-compliance with the above recommendations for inspection and maintenance may result in a tracking instability or turnover of the vehicle.
- **THE BATTERY CHARGER IS NO TOY.**
- **DO NOT SHORT-CIRCUIT SUPPLY TERMINALS.**
- When the toy's speed drops appreciably, this means that the batteries are run down and must be **RECHARGED IMMEDIATELY, OTHERWISE THEY WILL BE IRREPARABLY DAMAGED.** Charge battery only under the supervision of an adult.
- Do not leave the toy inactive with the battery run down. In the event of having to leave the toy inactive for a long period of time, we recommend charging the battery and disconnecting it, recharging it every 5 or 6 months. If you keep to these instructions the battery will enjoy a long life and may be recharged many times. If you do not follow the instructions, **INJUSA** will not give any guarantee as to the efficiency of the batteries.
- **WARNING! BATTERY CHANGE OF THIS PRODUCT SHALL ONLY BE MADE BY AN ADULT PERSON.**
- **WARNING!** The battery protecting hood shall only be dismantled and refitted by an adult person using a suitable spanner, which shall always be kept out of reach of children.

(EN) • **DO NOT DISPOSE OF THE BATTERY WITH HOUSEHOLD WASTE.** Remove the used batteries and place in a special container.

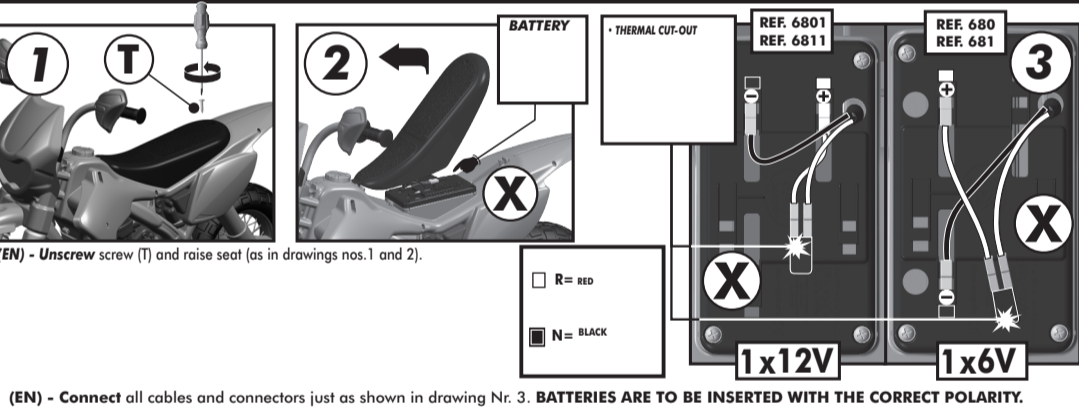


N°	CODE	UNDS.	N°	CODE	UNDS.	N°	CODE	UNDS.
1	066801	1	28	0668028	1	70	0668070	2
2	066802	1	33	0668033	1	71	0668071	6
3	066803	1	34	0668034	1	72	0668072	4
4	066804	1	35	0668035	1	73	0668073	25
5	066805	1	37	0668037	1	74	0668074	4
6	066806	1	38	0668038	1	75	0668075	2
7	066807	1	39	0668039	2	76	0668076	4
8	066808	1	40A	06680990	1	78	0668078	2
9	066809	1	40B	06680991	1	79	0668079	4
10	066810	1	41	0668041	1	80	0668080	2
11	066811	1	42-1	0668042-1	1			
12	066812	1	42-2	0668042-2	1			
13	066813	1	42-3	0668042-3	1			
14	066814	1	42-2-1	0668042-2-1	1			
15	066815	2	42-2-2	0668042-2-2	1			
16	066816	2	42-2-3	0668042-2-3	1			
17-A	0668178019	1	43	0668043	1			
17-B	0668177030	1	44	0668044	1			
17-1A	0668171-8019	1	46	0668046	2			
17-1B	066817-7030	1	47	0668047	1			
17-2	066817-2	1	48	0668048	1			
17-3	066817-3	1	49	0668049	1			
17-4	066817-4	1	51	0668051	1			
17-5	066817-5	1	52	0668052	1			
17-6	066817-6	1	53	0668053	1			
17-7	066817-7	1	54	0668054	1			
18	066818	1	55	0668055	1			
19	066819	4	56	0668056	1			
21	0668021	2	57	0668057	1			
22	0668022	8	58	0668058	1			
26	0668026	1	59	0668059	1			
27	0668027	1	61	0668061	1			

(EN) - USE ONLY ORIGINAL INJUSA COMPONENTS TO GUARANTEE TROUBLE-FREE OPERATION OF THE VEHICLE.

(EN) - IMPORTANT : TO ORDER SPARE PARTS, PLEASE NOTE THE VEHICLE'S REFERENCE AND SPARE CODES.

### ACCES TO BATTERY AND THERMAL CUT-OUT

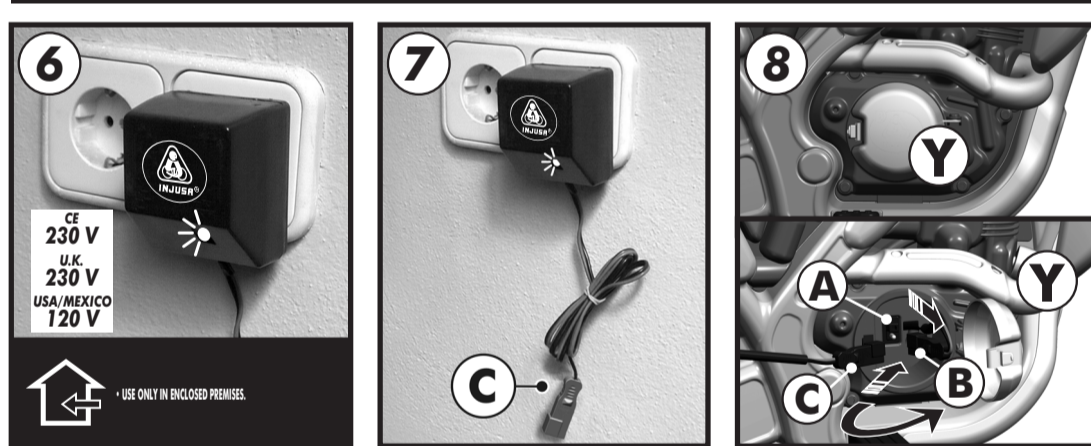


(EN) - Connect all cables and connectors just as shown in drawing Nr. 3. BATTERIES ARE TO BE INSERTED WITH THE CORRECT POLARITY.

### IMPORTANT

(EN) BATTERY RECHARGE: ON LEAVING THE FACTORY, THE BATTERIES ARE PERFECTLY CHARGED. HOWEVER, BEFORE USING THEM IT IS NECESSARY TO RECHARGE THEM, IN ORDER TO GET MAXIMUM EFFICIENCY.

### BATTERY RECHARGE



(EN) 1.- Connect to any 230 V (CE), 230 V (U.K.), 120 V (USA/MEXICO) mains plug and the red pilot light of the charging device will come on (this shows that the charger is working). (As in drawings nos. 6 and 7).  
 2.- Disconnect plug (B) and connect charger plug (C) to socket (A), (see drawing no. 8). The red pilot light on the charger will go out. This shows that the battery is charging and everything is working well. When the pilot light comes on red again, the battery will be charged. The usual recharging time is from 10 to 12 hours. Charger consumption is minimal. Battery Ref. 990 Lasts for up to 2 hours, depending on how the item is used. Battery Ref. 991 Lasts for up to 3 hours, depending on how the item is used.

### CONNECTIONS AND OPERATION

(EN) - CONNECT PLUG (B) TO SOCKET (A), (SEE DRAWING NO. 4). CONNECT THE PIN (E) LOCATED BENEATH THE TANK TO THE HANDLEBAR PIN (D). (SEE DRAWING NO. 5). AFTER THESE OPERATIONS, THE VEHICLE WILL OPERATE BY MEANS OF THE ACCELERATOR GRIP. THIS VEHICLE IS EQUIPPED WITH AN ELECTRIC BRAKE. UPON RELEASING THE ACCELERATOR, THE VEHICLE WILL STOP AUTOMATICALLY. ENSURE THAT THE CHILDREN KNOW HOW TO CORRECTLY USE THE VEHICLE, ESPECIALLY THE BRAKE SYSTEM.

