

THE FEEDBANK 150

INSTRUCTIONS

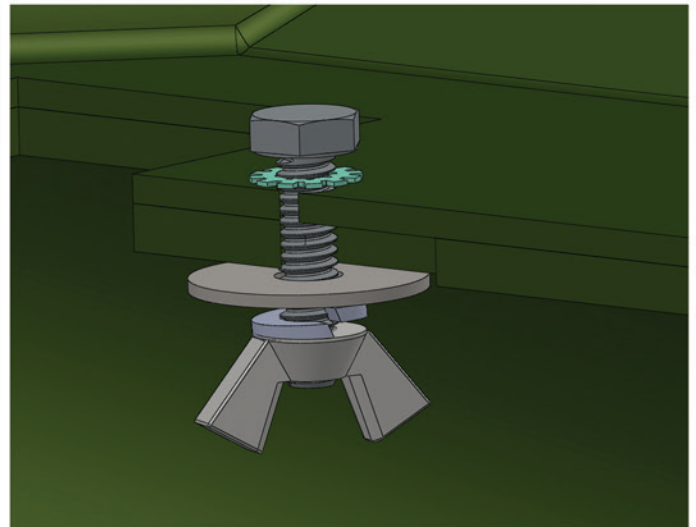
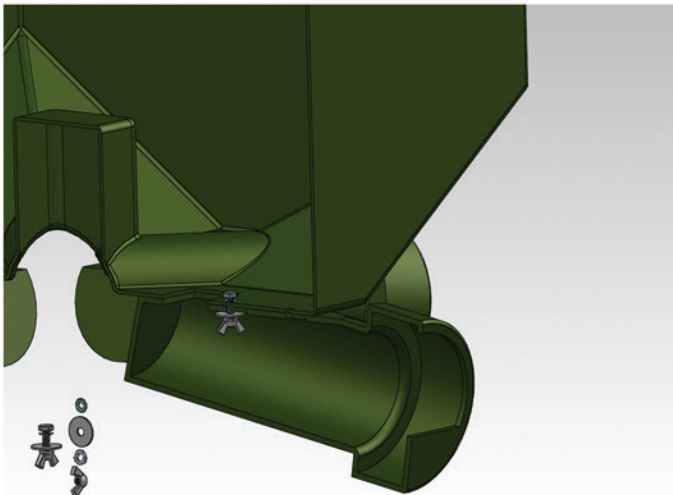
INCLUDED PARTS:

(1) Feeder	(8) 1/4-20" Lock Washers	(8) 1/4-20" Wing Nuts
(4) Feed Ports	(8) 1/4-20 x 1" Bolts	(8) 1/4-20" Internal Star Lock Washers
(1) Cover	(8) 1/4" Fender Washers	

1. Unpack the Feedbank from the box.
2. To attach the cover, place it on top of the feeder so the locking tabs are above the (2) latches on each side. Latch over the top of the tabs to secure the cover.



3. To attach the Feed Port, first take (1) of the 1/4-20 x 1" Bolts and slide on the Internal Star Lock Washer. From the inside of the feeder, press through the bolt and washer into the attachment hole. Take a Feed Port and also connect to this 1" Bolt that is sticking through the bottom of the feeder. From the inside of the feed port, place the fender washer on the 1" Bolt. Then, place the 1/4-20" Lock Washer onto the bolt. To fasten all together, place the 1/4-20" Wing Nut on the bolt and tighten to a snug fit. Repeat this step for each attachment hole on the feeder (2 per Feed Port).



THE FEEDBANK 150

INSTRUCTIONS

CONTINUED..

4. After the cover and Feed Ports are installed, you need to purchase an 8' 4x4 green-treated post. Dig into the ground 4' and backfill the post so it is level.
5. Slide Feedbank over the post.
6. Another option is to cut off a tree and slide it over a trunk of the tree - just be sure to cut it off level, leaving 4' above the ground.
7. Fill with feed. All Feed Ports slide in and out, when bolts are loosened to control flow. Set flow according to type of feed you are using.
8. Your Feedbank is ready to go!

