



# Owner's Manual & Assembly Instructions

## Universal Attic Kit Model No. AT101

**IMPORTANT:** Before you start, remove Owner's Manual & Assembly Instructions from main carton of your storage building and locate Interior Dimensions on the front cover.

Kit fits all 10' wide mid wall braced ARROW storage buildings produced since 1979. Kit can be adapted easily for buildings with no mid wall frame, for older buildings and buildings by other manufacturers by drilling as needed.

Remove the parts from the carton and lay them out in similar groups with the part numbers facing up. Check the part numbers and quantity with the parts list.

Before you start, read the entire manual to plan how you want to use your Attic Kit.



65103  
#8-32 Hex Nut (48)

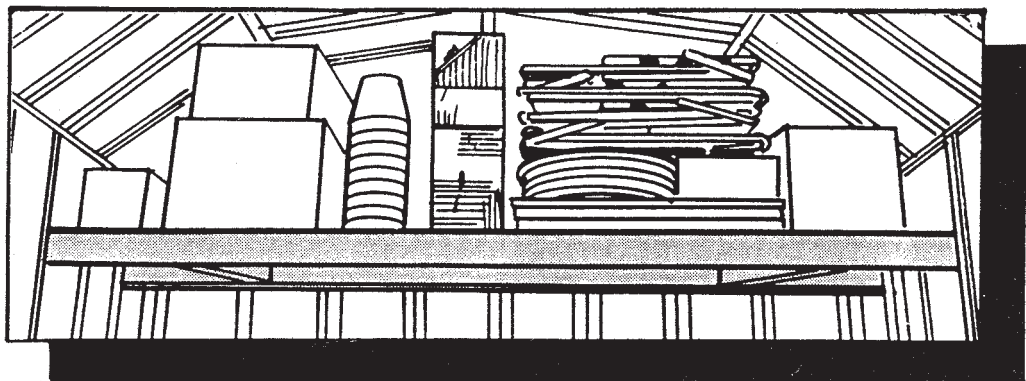


65923  
#8-32x3/8" Bolt (48)

**Keep this Owner's Manual for future reference.**

\* If you find a part is missing, include the model no. of your kit and contact:

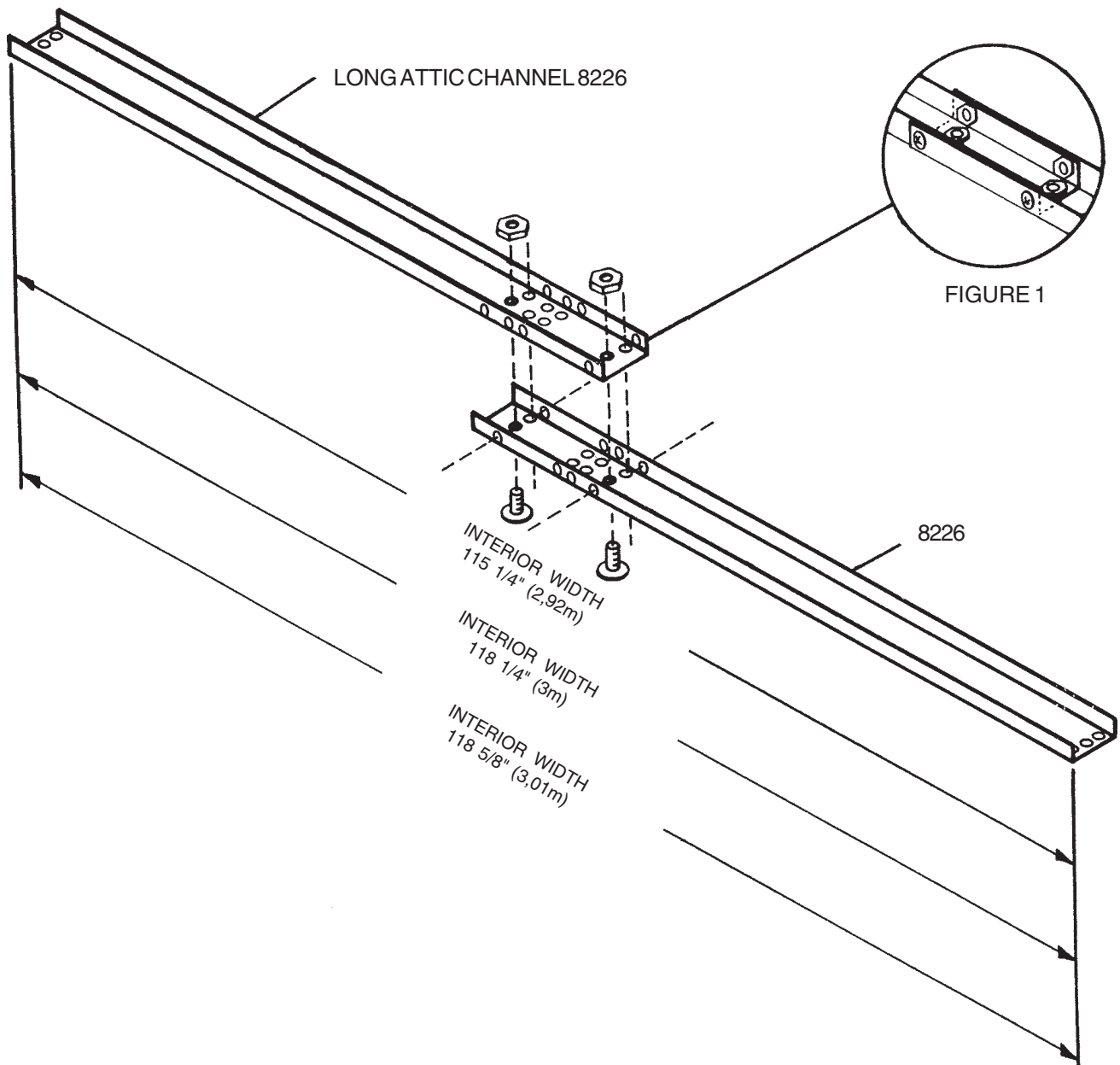
Part Number	Part Description	Quantity in Carton	Check List
8225	Post	8	
8226	Long Attic Channel	4	
8227	Short Attic Channel	2	



**CAUTION: SOME PARTS HAVE SHARP EDGES. CARE MUST BE TAKEN WHEN HANDLING THE VARIOUS PIECES TO AVOID A MISHAP. WEAR GLOVES WHEN HANDLING METAL PARTS.**

# Step 1

**1** Position **long attic channels** as shown. Interlock channels and telescope them to proper dimension for your building. Align holes and fasten together using bolts and nuts. See Fig. 1. Make two complete assemblies using correct interior width.

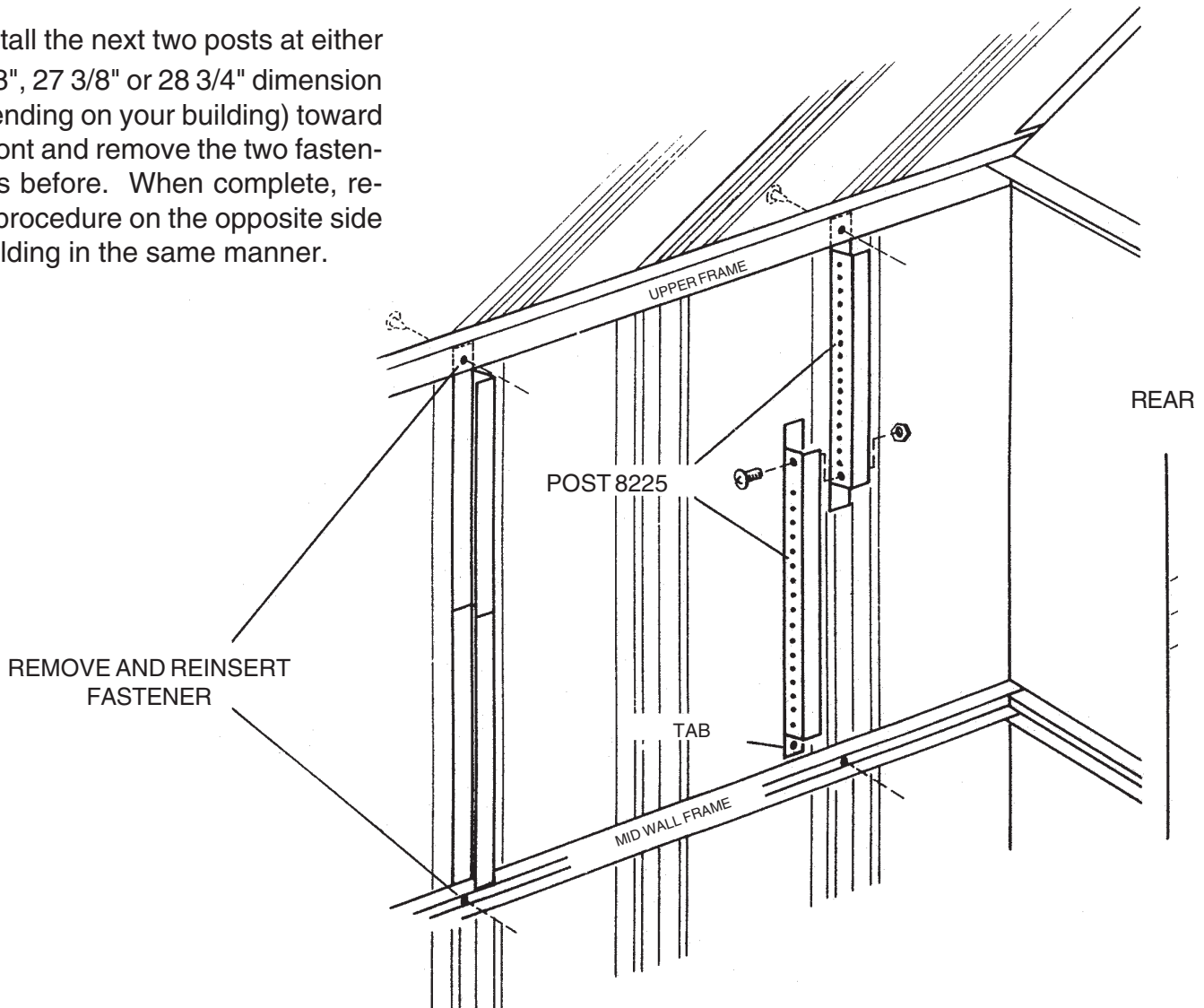
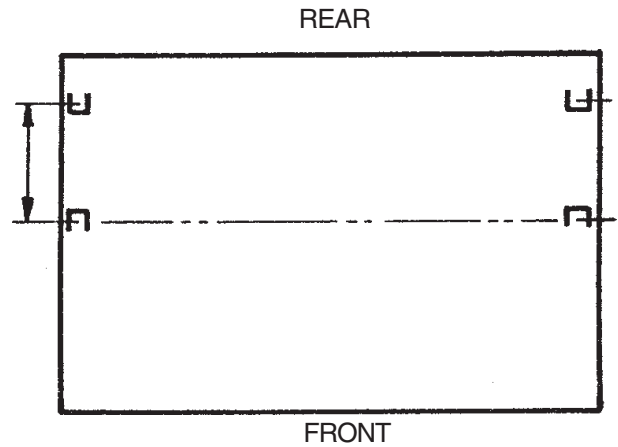


# Step 2

**1** Install two **posts** at the rear corner of building by removing the two fasteners in the framework. Interlock the two posts and telescope them to the proper length between the upper and mid wall frames. Tabs on ends of posts go behind frames. Reinsert top and bottom fasteners. Fasten posts together using a bolt and nut at the center of posts.

**2** Install the next two posts at either 26 3/8", 27 3/8" or 28 3/4" dimension (depending on your building) toward the front and remove the two fasteners as before. When complete, repeat procedure on the opposite side of building in the same manner.

26 3/8" (67 cm)  
27 3/8" (70 cm)  
28 3/4" (73 cm)



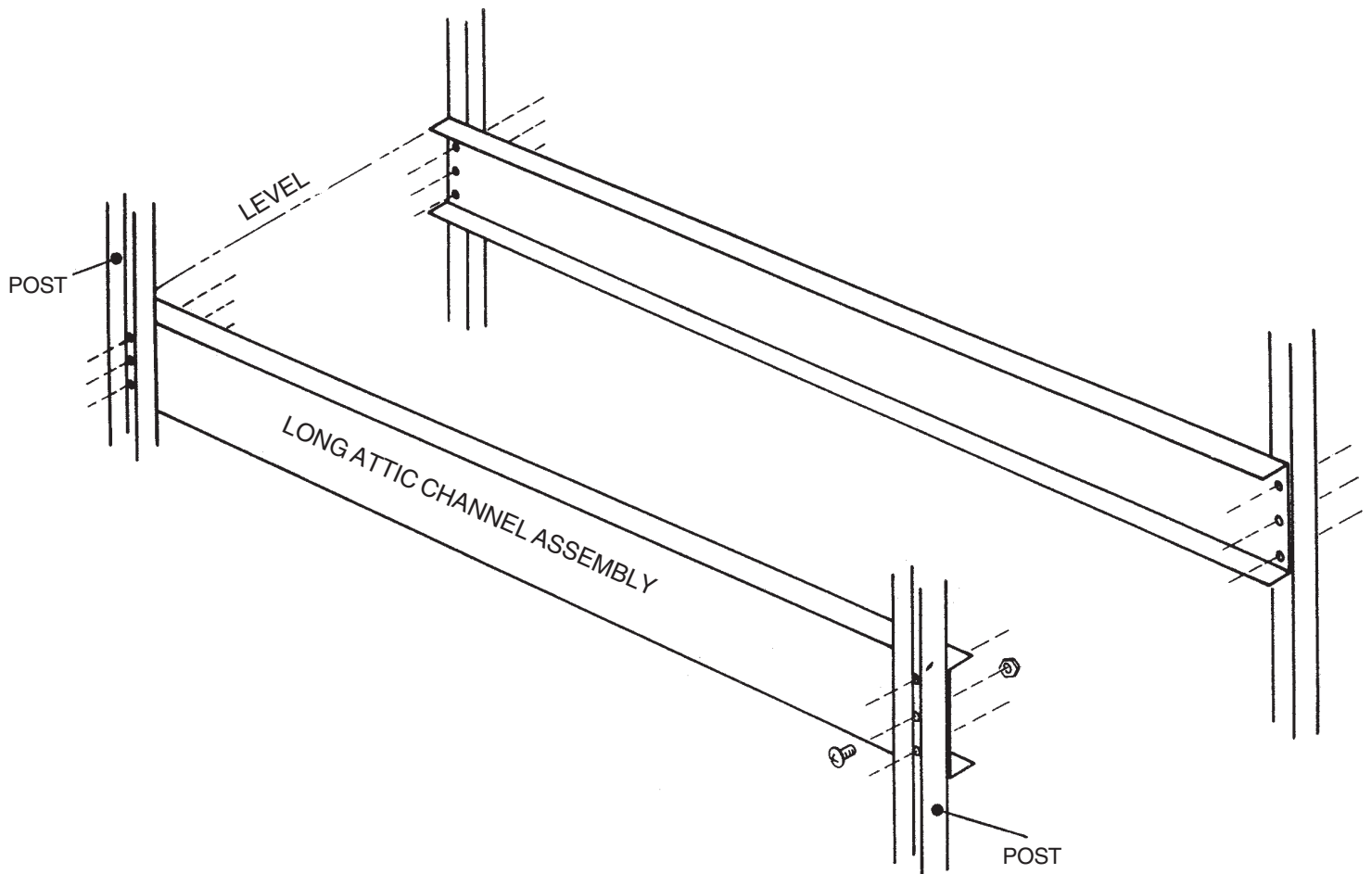
## FOR BUILDINGS WITH NO MID WALL FRAME:

Install posts in the same manner. Using hole in bottom tab on post as a guide, drill 1/4" diameter hole through side wall panel and fasten with a bolt and nut.

# Step 3

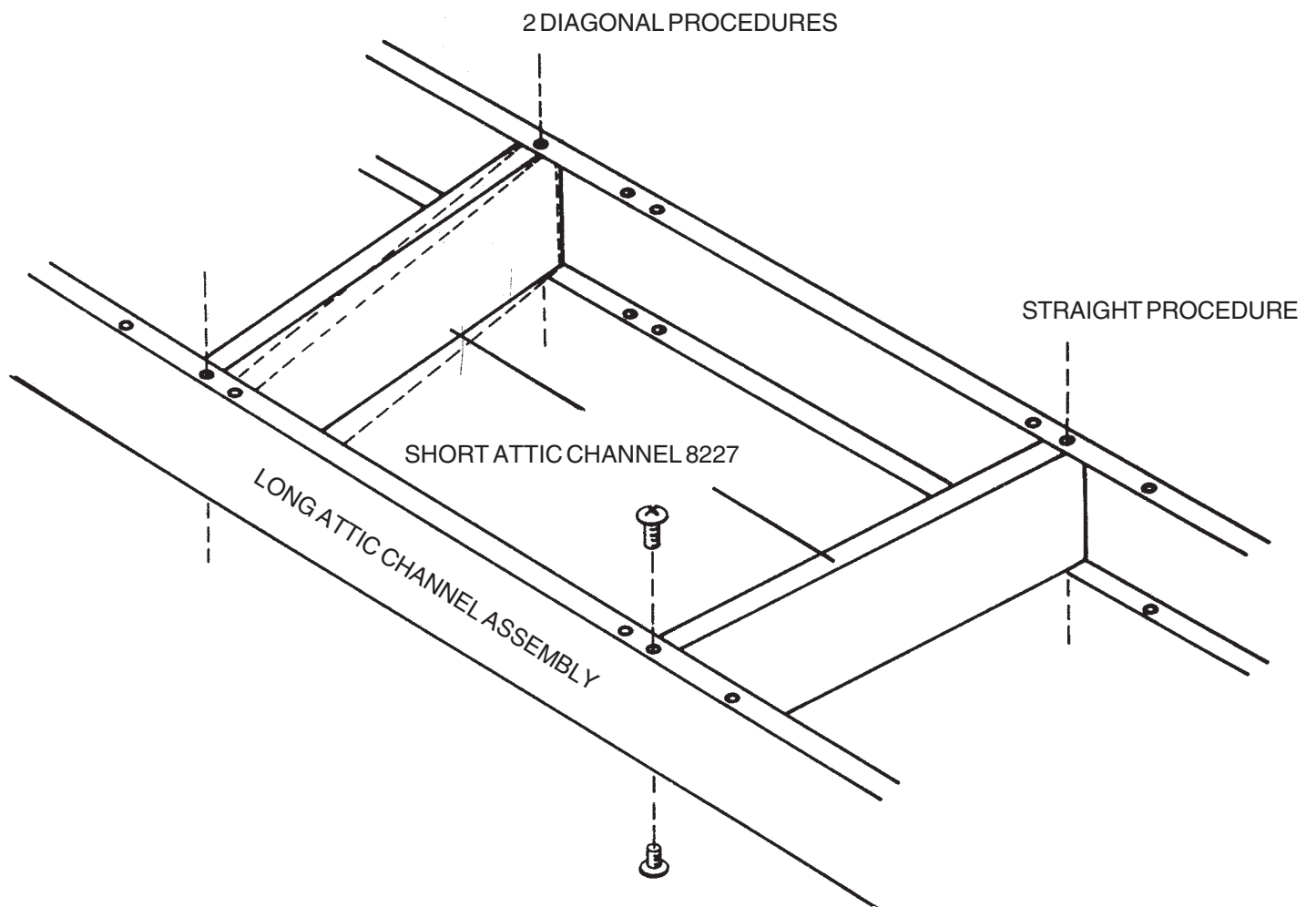
**1** Position long attic channel assemblies at the desired height to the posts and fasten using two or three bolts and nuts on both sides.

**2** Repeat procedure on next posts, making sure channels are level by using the same set of holes on each post.



# Step 4

**1** Position **short attic channels** between long channels as shown. Depending on width of the wall panel on your building, follow one of three procedures below, fastening channels with four bolts and nuts.

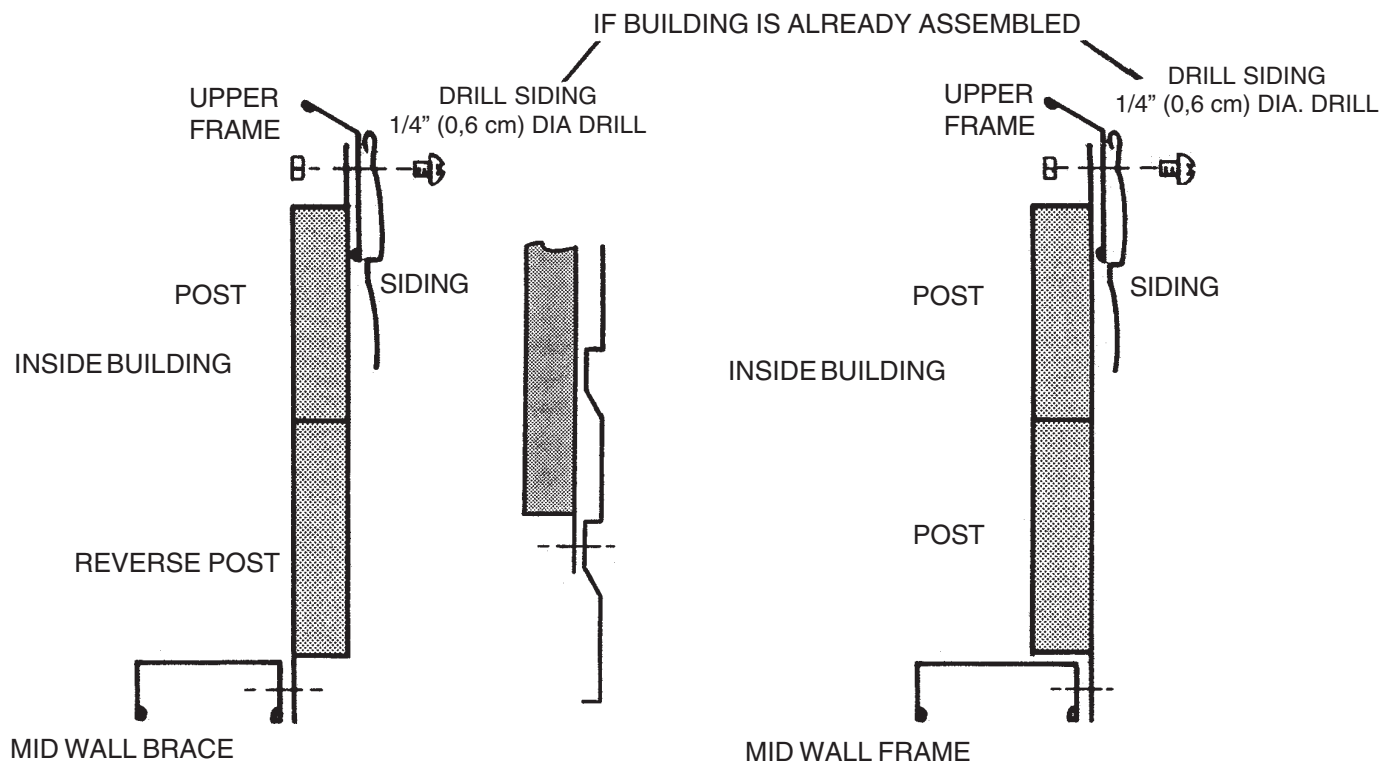


# Horizontal Siding Buildings

If you are installing the Attic Kit in a Horizontal Siding building, drilling of the siding with a 1/4" diameter drill will be necessary if building is already assembled. If there are no holes in the framework, drilling will be required. Start your first hole approximately 9" from the corner of building and your next hole at 26 3/8" toward the front of building.

In all cases use bolts and nuts at the upper frames as shown. Position tab on end of post on the inside of the upper frame. Depending on the style of your building, fasten bottom of posts as shown.

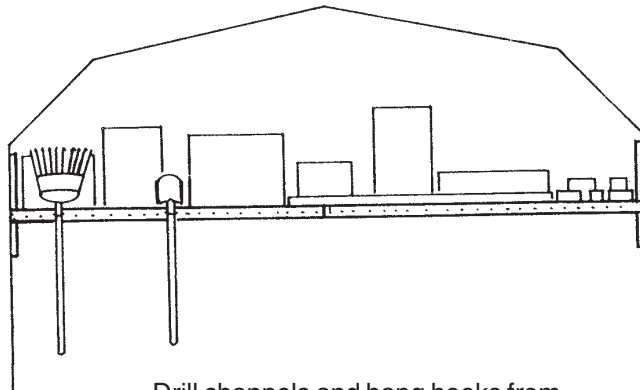
When mid wall frames are offset from siding, reverse the bottom post so that the tab is on the inside, opposite the upper tab. Fasten tab to mid wall frame using a bolt and nut.



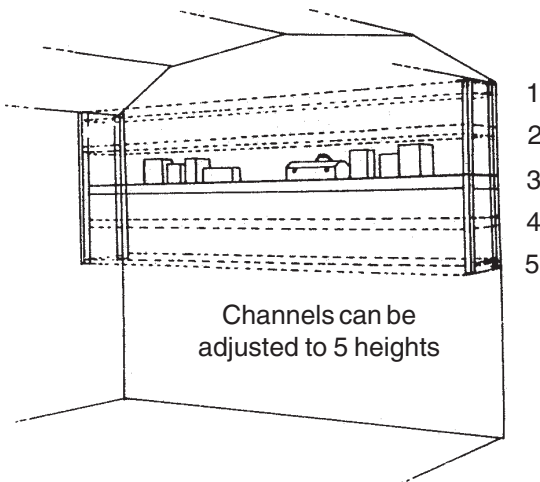
FOR BUILDINGS WITH NO MID WALL FRAME:  
Telescope posts to line up tab on bottom post with flat spot in siding panel. Fasten posts together with a bolt and nut. Using hole in bottom tab as a guide, drill 1/4" diameter hole through siding panel and fasten using a bolt and nut.

### IMPORTANT CAUTION NOTE

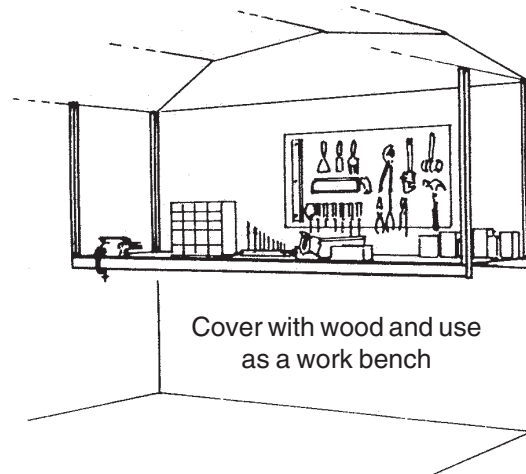
The Universal Attic Storage Kit was designed to support weight equally spaced over the entire kit. The total weight of all shelving on the walls is a 250 lb. load limit. Caution should be kept in mind at all times as to the weight of the material being stored on this kit. The manufacturer assumes no responsibility for failure or personal injury.



Drill channels and hang hooks from them for various tools

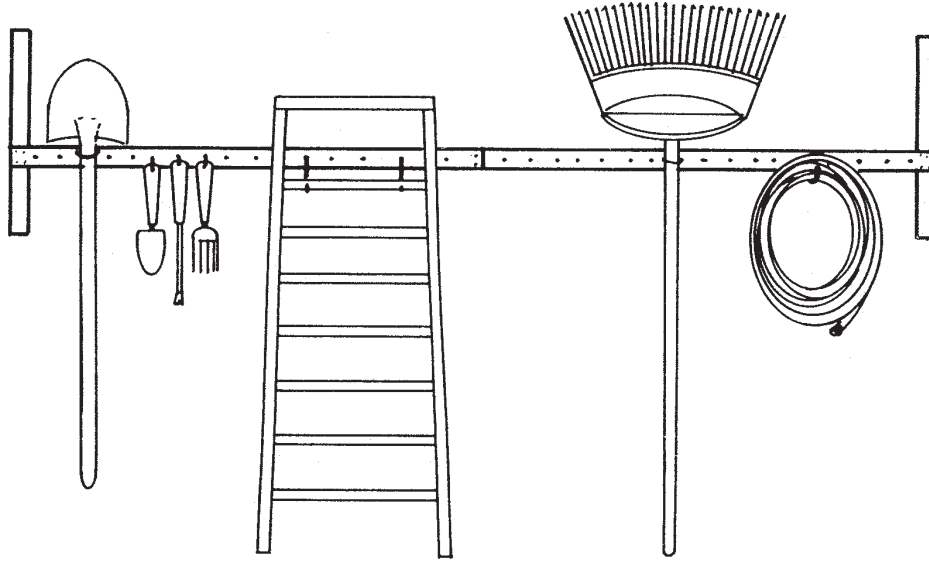


Channels can be adjusted to 5 heights

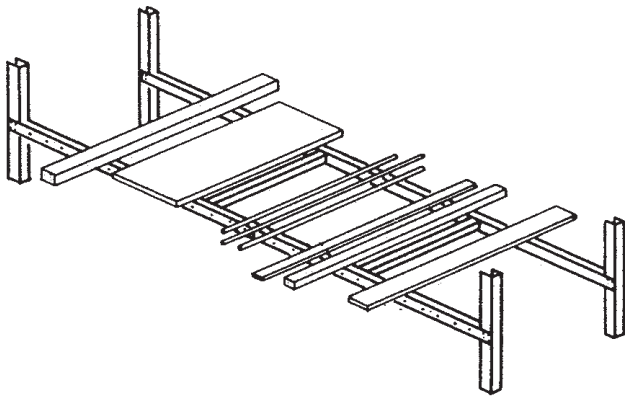


Cover with wood and use as a work bench

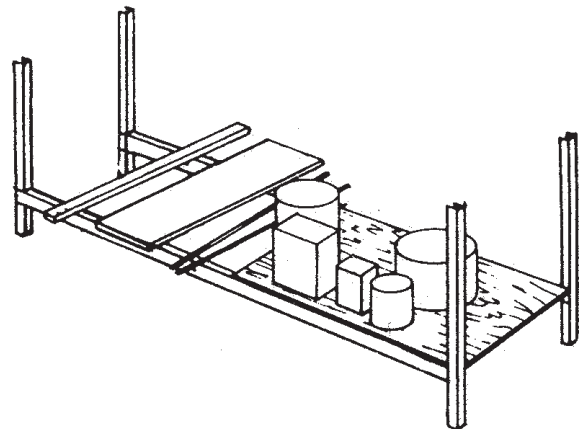
# Other Uses



Kit can be attached through the sheet rock into studs or directly to studs using at least a #10 wood screw.



- **Garage** – Add extra storage space up and out of the way with an attic kit hung from rafters or beams.



- **Basement Storage** – Attach tops of posts to rafters. Set channels at lowest position to store items safely off damp floor.