

Owner's Manual & Assembly Guide

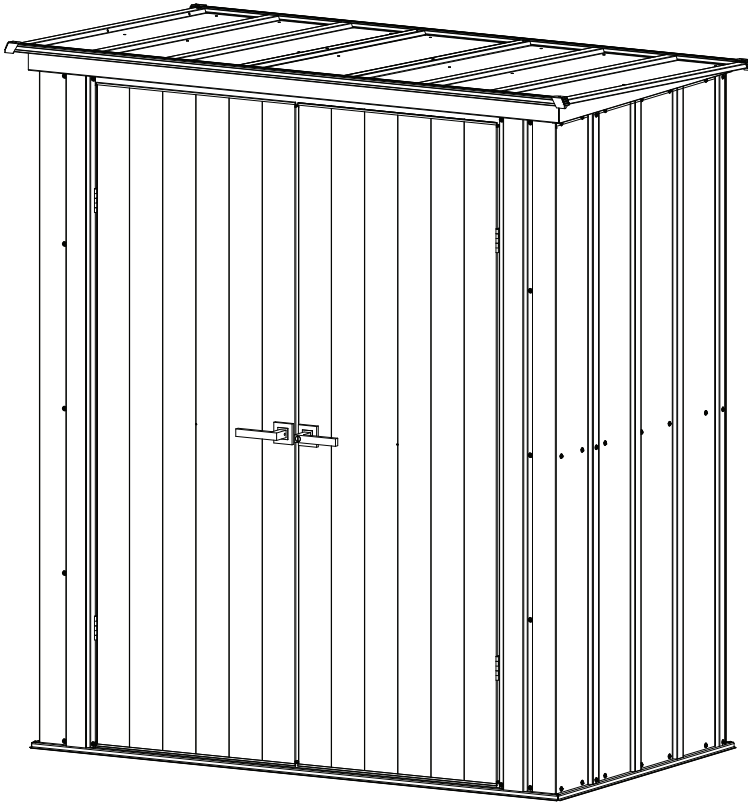


Model No. PS53 □ PS53BG □

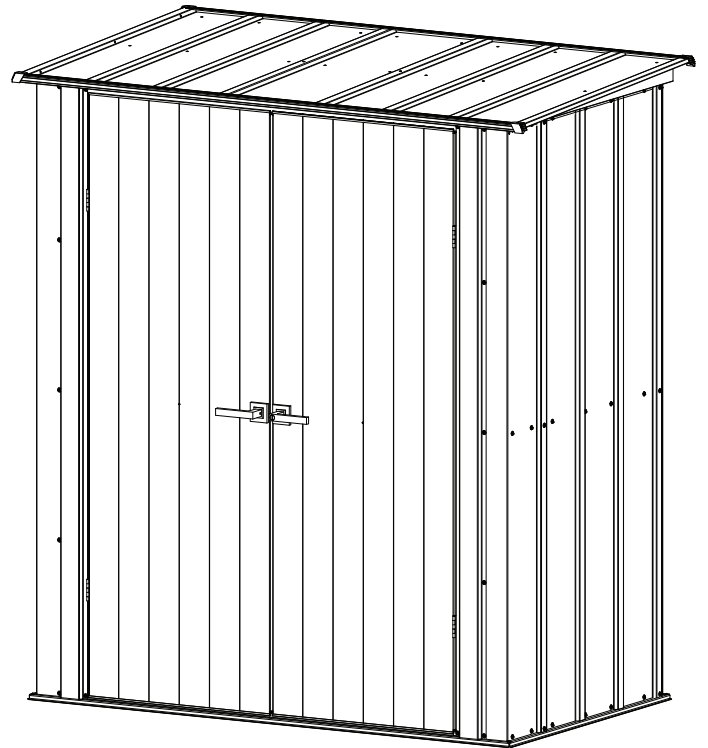
5' x 3'
Nominal Size

! caution
sharp edges *

Gloves must be worn at all times to reduce risk of injury!



OPTION-A



OPTION-B

Base Size	65 1/16" x 38 3/8" 165,3 cm x 97,4 cm
------------------	--

For proper base construction see page 13

BUILDING DIMENSIONS

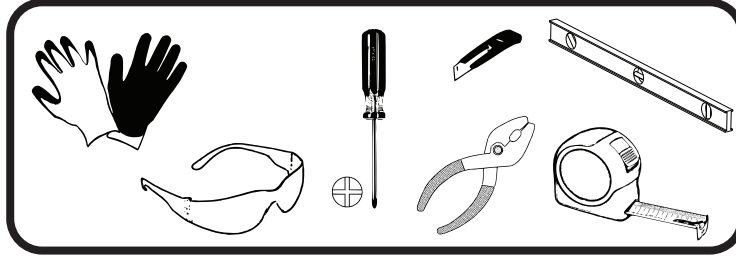
† Size rounded off to the nearest foot

Approx. † Size	Storage Area		Exterior Dimensions (Roof Edge to Roof Edge)			Interior Dimensions (Wall to Wall)			Door Opening	
			Width	Depth	Height	Width	Depth	Height	Width	Height
5' x 3'	15 Sq. Ft.	93 Cu. Ft.	67 1/2"	39 1/4"	74 1/4"	62 1/4"	35 9/16"	73 11/16"	48 11/16"	69 11/16"
1,5 m x ,9 m	1.4 m ²	2,6 m ³	171,5 cm	99,7 cm	188,6 cm	158,1 cm	90,3 cm	187,2 cm	123,7 cm	177,0 cm

* See Inside for Detailed Safety Information.

CAUTION /

- Care must be taken when handling various pieces of your building since many contain sharp edges.



- Do NOT attempt to assemble your building before double checking that you have all the parts indicated in the parts lists. Any building left partially assembled may be seriously damaged by even light winds.
- Do NOT attempt to assemble your building on a windy day. The large panels can catch the wind like a “sail”, making construction difficult and unsafe. **Watch the Weather Closely**
- Keep children and pets away from the worksite during construction and until the building is completely assembled. This will help avoid distractions and any accidents which may occur.
- NEVER concentrate your weight on the roof of the building.
- Before assembling any parts, your base should be constructed and an anchoring system should be ready to use. Your building MUST be anchored to prevent wind damage.

ASSEMBLY

05GX

- The best location is a level area with good drainage.
- Allow enough space outside the building to be able to access the roof with a ladder.
- **Use Teamwork:** Two or more people are required to assemble your building.

CARE & MAINTENANCE

- DO NOT use power washing to clean your shed. Combustibles and corrosives must be stored in air tight containers designed for chemical and/or combustible storage. Corrosive chemicals such as fertilizers, pesticides and herbicides should be cleaned off the interior and exterior surfaces immediately. Rust caused by chemical damage is not covered by the warranty.

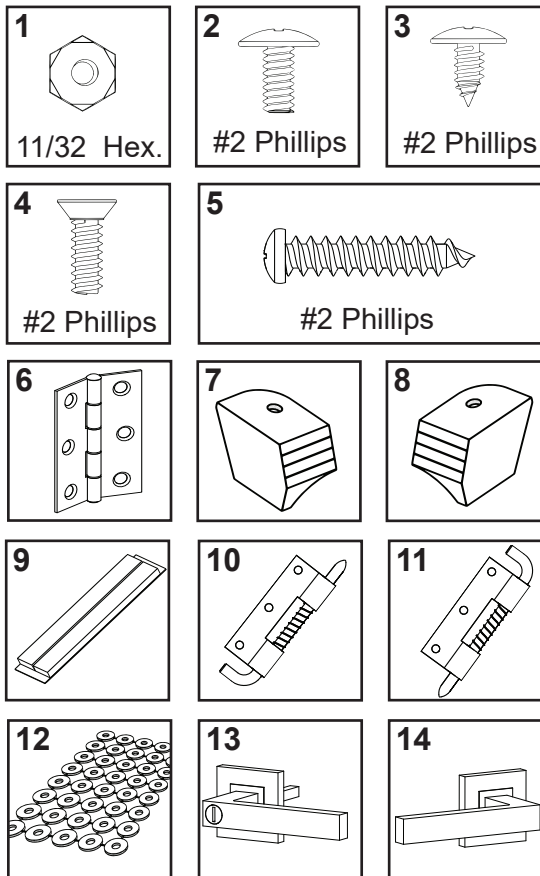
Rust protection precautions

- Avoid nicking or scraping the coating surface, inside and out. Keep roof, base perimeter and door free of debris.
- Touch up scrapes or nicks and any area of visible rust as soon as possible.

HARDWARE LIST



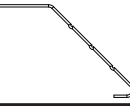
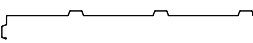

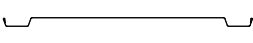
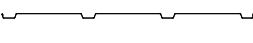


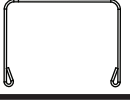
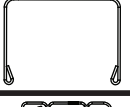

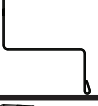


Key No.	Part No.	Part Description	Qty.	✓ List
1	65103	Hex Nut (#8-32)	48	
2	65923	Small Bolt (#8-32 x 3/8) (10 mm)	24	
3	65004	Small Screw (#8AB x 5/16) (8 mm)	174	
4	66783	Flat Head Bolt (#8-32 X 1/2) (13 mm)	24	
5	66692	Tapping Screw (#10ABx1) (25 mm)	2	
6	66609	Hinge	4	
7	66183L	Left Roof Trim Cap	2	
8	66183R	Right Roof Trim Cap	2	
9	67236	Adhesive Pads (2 per sheet)	1	
10	66684	Top Latch Spring	1	
11	66808	Bottom Latch Spring	1	
12	66646	Washer Sheet	4	
13	30000	Locking Handle Right	1	
14	30001	Left Handle	1	

Hardware Views by Key No.


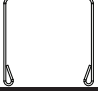
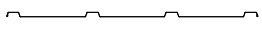
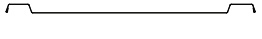



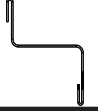
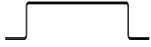





The fasteners used in each step are shown actual size at the top of each page. If you are unsure which fastener to use, hold it up to the picture and use the one that matches.

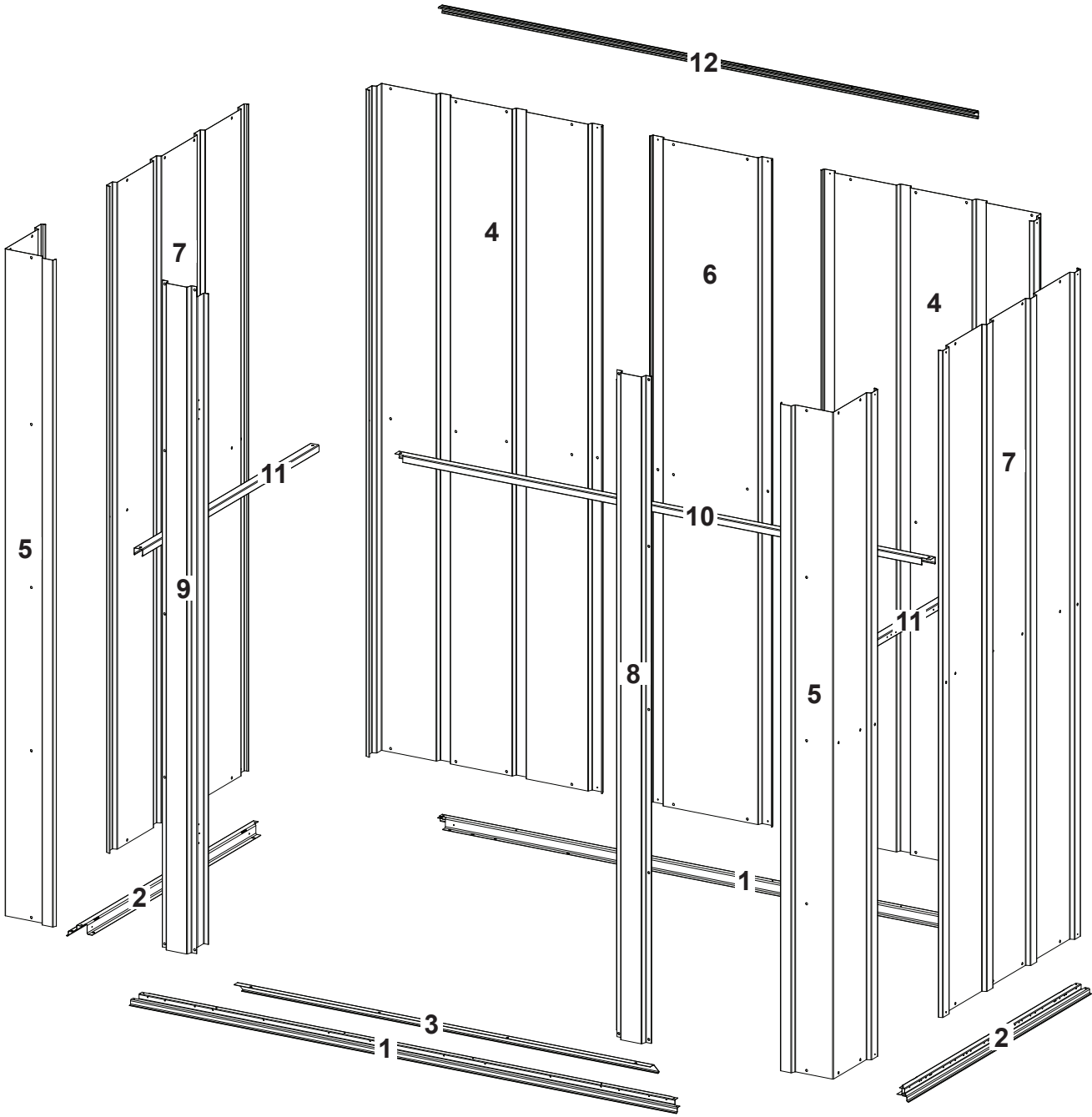
PARTS LIST

Key No.	Part No.	Part Description	Qty.	Part Views
1	11242	Front/Rear Floor Frame	2	
2	11243	Side Floor Frame	2	
3	11259	Ramp	1	
4	11244	Rear Corner Panel	2	
5	11245	Front Corner Panel	2	
6	10798	Wall Panel	1	
7	5210	Wall Panel	2	
8	11246	Door Jamb Right	1	
9	80179	Door Jamb Left	1	
10	11261	Rear Wall Channel	1	
11	11262	Side Wall Channel	2	
12	11248	Rear Wall Angle	1	
13	11249	Lintel	1	
14	11293	Header	1	
15	11268	Right Gable	1	

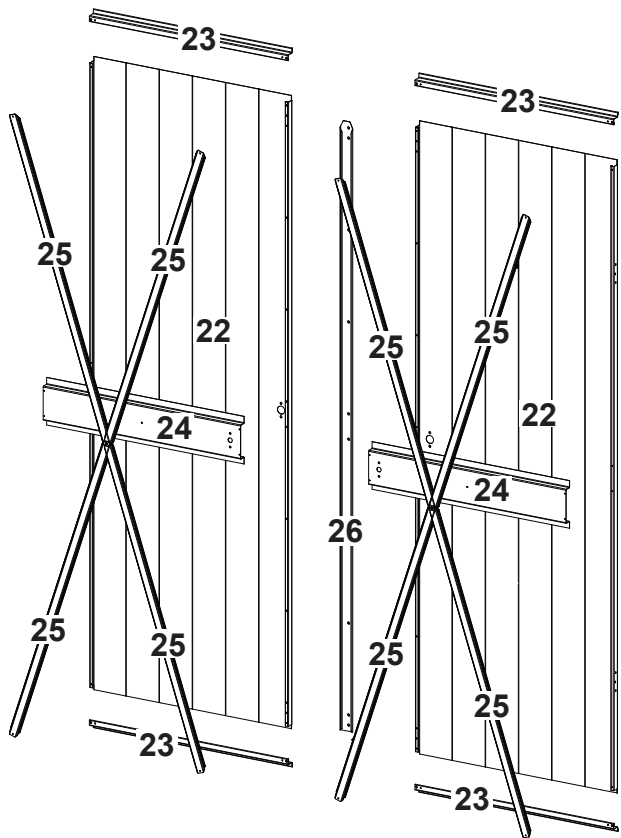
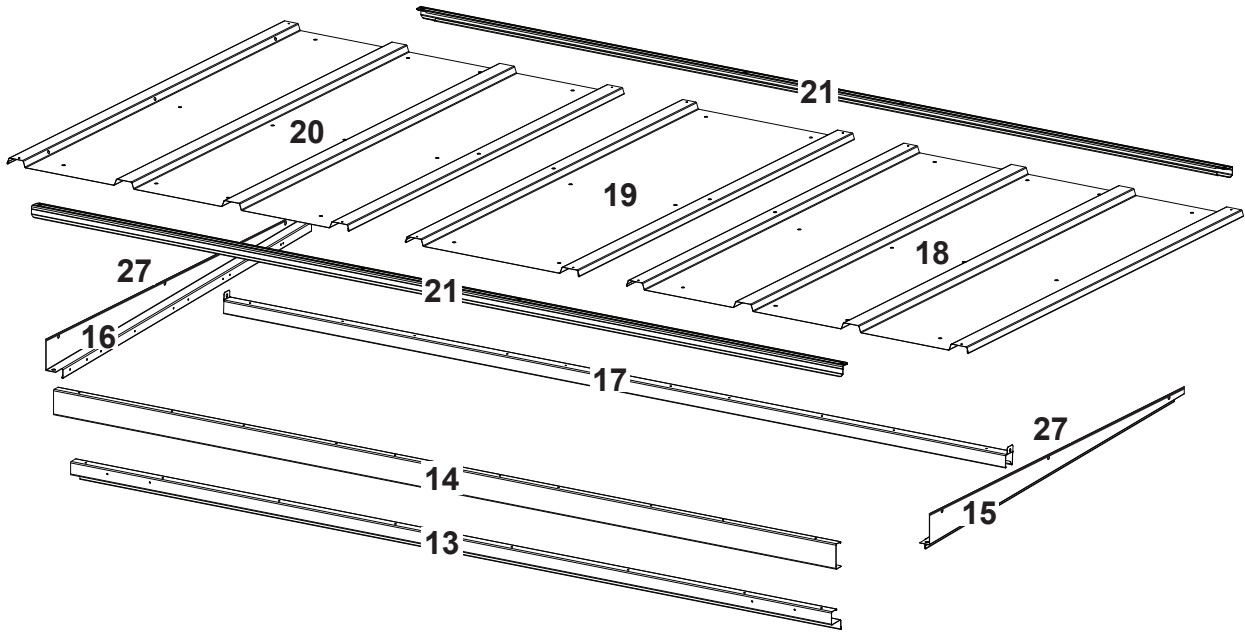
PARTS LIST /

Key No.	Part No.	Part Description	Qty.	Part Views
16	80185	Left Gable	1	
17	11250	Roof Beam	1	
18	11251	Right Roof Panel	1	
19	11263	Roof Panel	1	
20	80181	Left Roof Panel	1	
21	11253	Roof Trim	2	
22	11254	Door Panel	2	
23	11256	Horizontal Door Brace	4	
24	11257	Door Handle Brace	2	
25	11258	Diagonal Door Brace	8	
26	10721	Door Stop	1	
27	69836	Edge Trim (Purple)	2	

ASSEMBLY BY KEY NO.



ASSEMBLY BY KEY NO.



CONSTRUCTING A BASE...

OPTION 1: Directly on ground (earth)

Assemble your building directly on level ground (grass, dirt, rock, sand, etc.).

OPTION 2: Wood Platform

If you decide to build your own base, be sure to select the appropriate materials.

These are the recommended materials for your base:

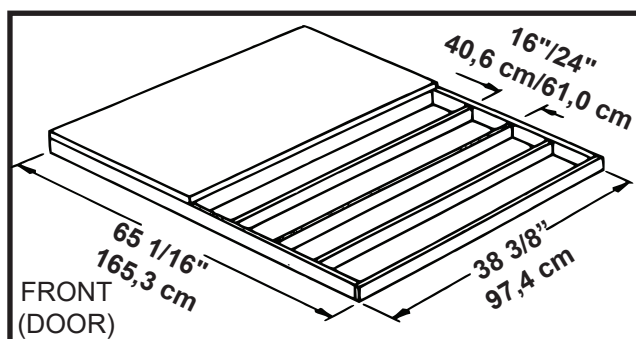
- 2 x 4's (38 mm x 89 mm) Pressure Treated Lumber • 5/8" (15,5 mm) 4 x 8 (1220 mm x 2440 mm) Plywood-exterior grade
- 10 & 4 penny Galvanized Nails • Concrete Blocks (optional)

NOTE: Pressure Treated Lumber must not be used where it will make contact with your storage building. The properties of Pressure Treated Lumber will cause accelerated corrosion.

The platform should be level and flat (free of bumps, ridges etc.) to provide good support for the building. The necessary materials may be obtained from your local lumber yard.

To construct the base follow instructions and diagram.

Construct frame (using 10 penny galvanized nails)
Measure 16"/24" (40,6 cm/61,0 cm) sections to construct inside frame (see diagram)
Secure plywood to frame (using 4 penny galvanized nails)



Note: Platform/Slab will extend 9/16" (1,4 cm) beyond floor frame on all four sides. Seal this 9/16" (1,4 cm) of wood with a roofing cement (not included), or bevel this 9/16" (1,4 cm) of concrete when pouring, for good water drainage.

OPTION 3: Concrete Slab

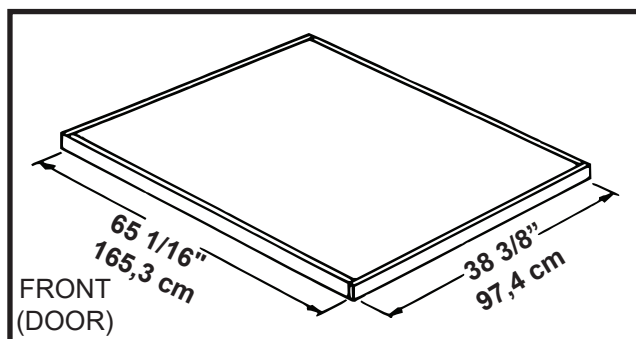
The slab should be at least 4" (10,2 cm) thick. It must be level and flat to provide good support for the frame.

The following are the recommended materials for your base.

- 1 x 4's (19 mm x 89 mm) (will be removed once the concrete cures)
- Concrete • Sheet of 6 mil plastic
- We recommend for a proper strength concrete to use a mix of:
1 part cement • 3 parts pea sized gravel • 2 1/2 parts clean sand

Prepare the Site/Construct a Base

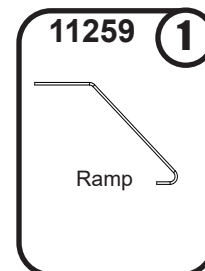
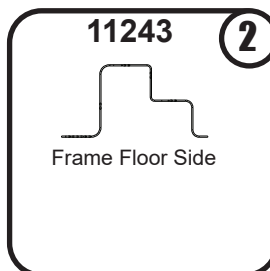
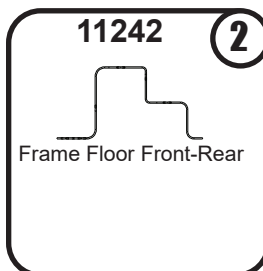
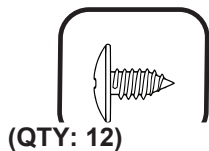
1. Dig a square, 6" (15,2 cm) deep into the ground (remove grass).
2. Fill up to 4" (10,2 cm) in the square with gravel and tamp firm.
3. Cover gravel with a sheet of 6 mil plastic.
4. Construct a wood frame using four planks of 1x4 (19 mm x 89 mm) lumber.
5. Pour in concrete to fill in the hole and the frame giving a total of 4" (10,2 cm) thick concrete. Be sure surface is level.



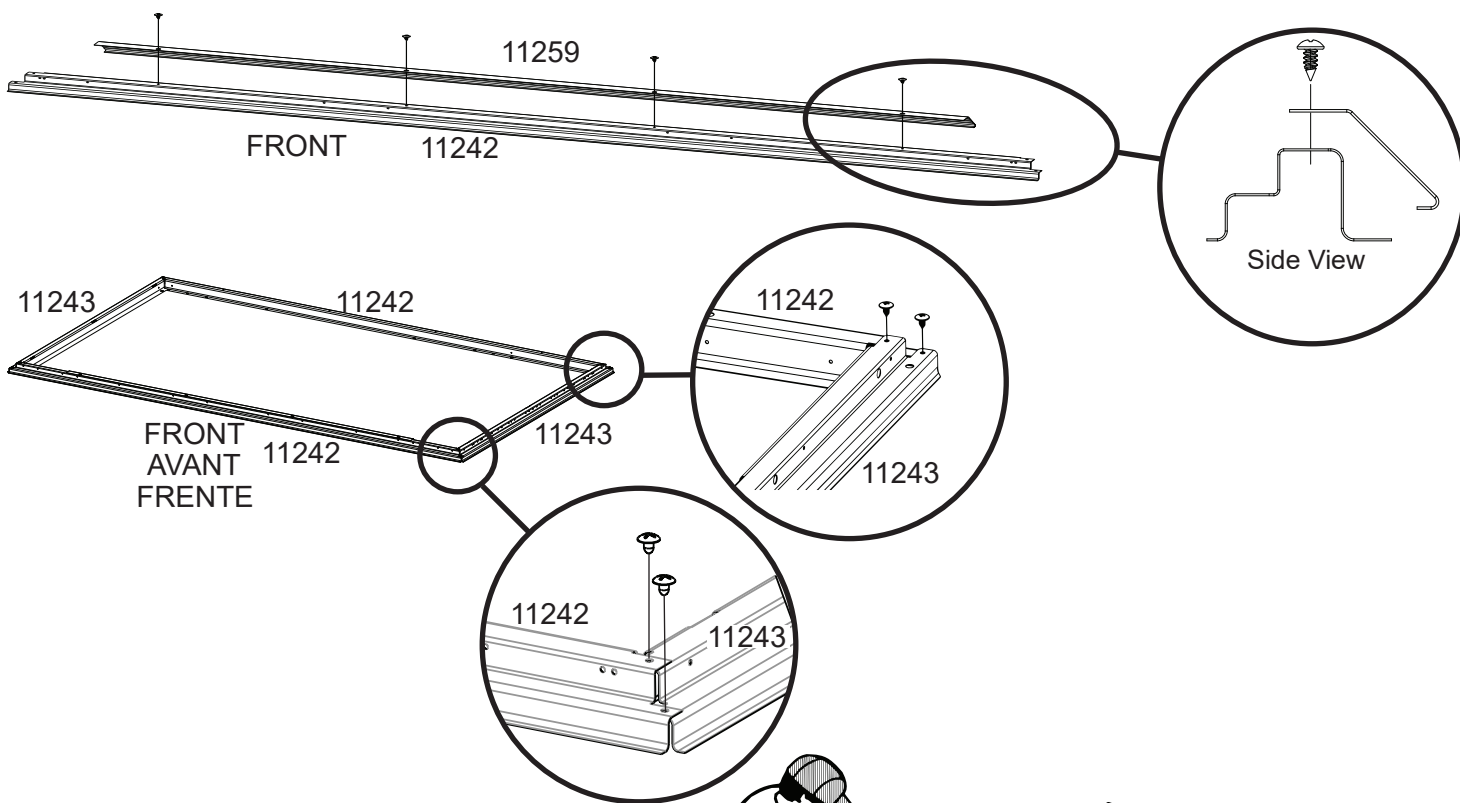
Note: Finished Slab dimensions, with lumber removed.

Step 1 /

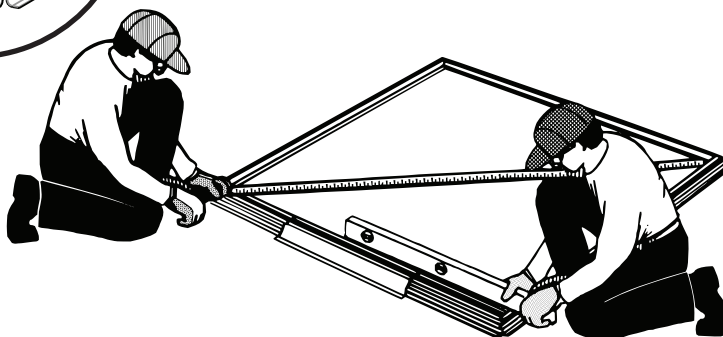
You will need for this page:



NOTE Do NOT fasten your Floor Frames to your Base at this time. You will anchor your building after it is erected.



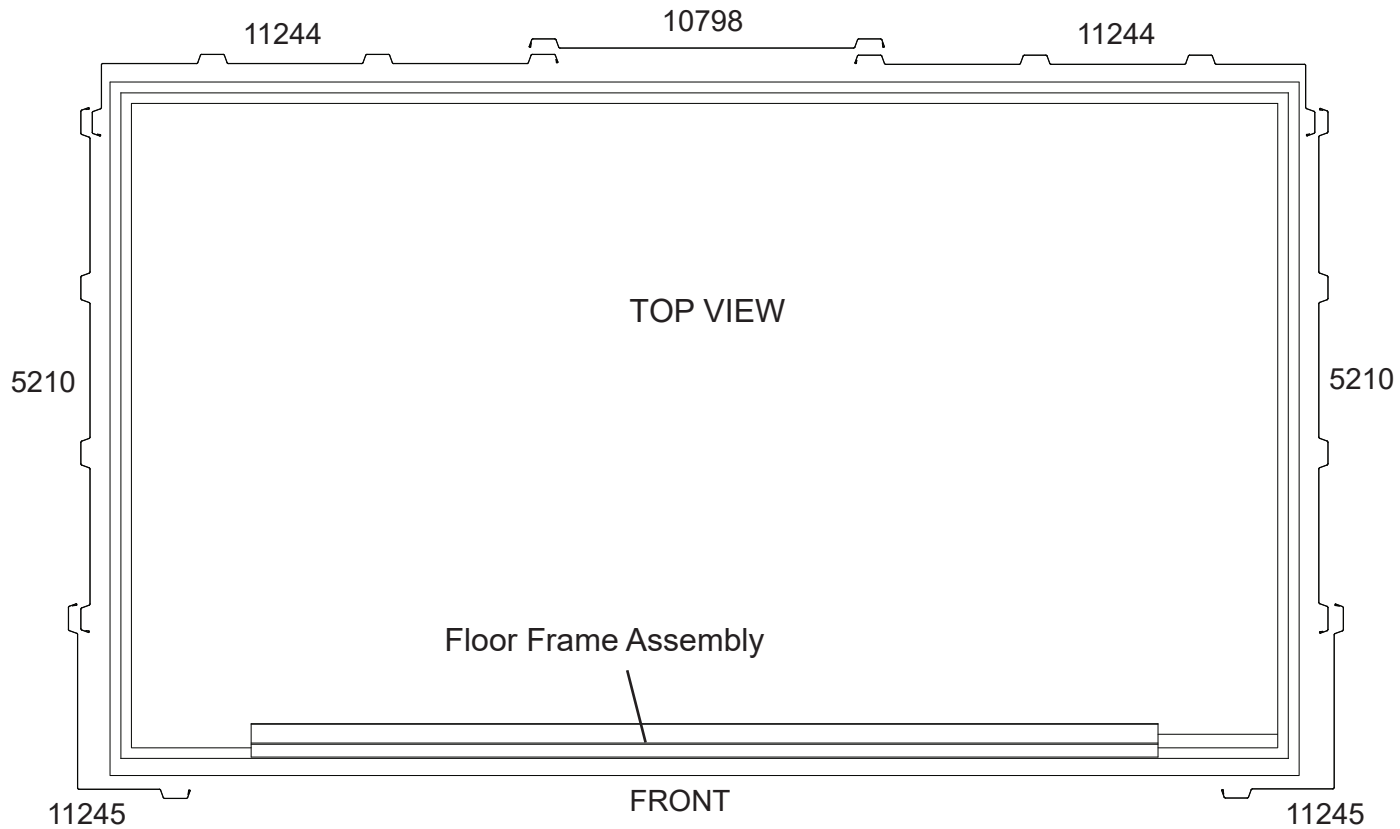
When diagonal measurements are equal, the Frame is square.



The Floor Frame must be BOTH square AND level or the holes will not line up properly..

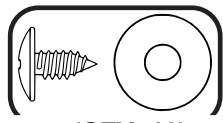
Step 2

Panel Layout

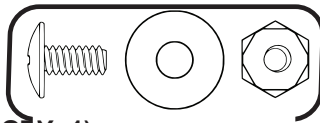


Step 2

You will need for this page:



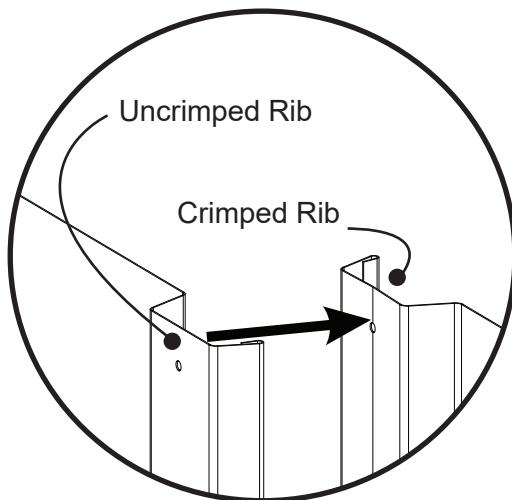
(QTY: 10)



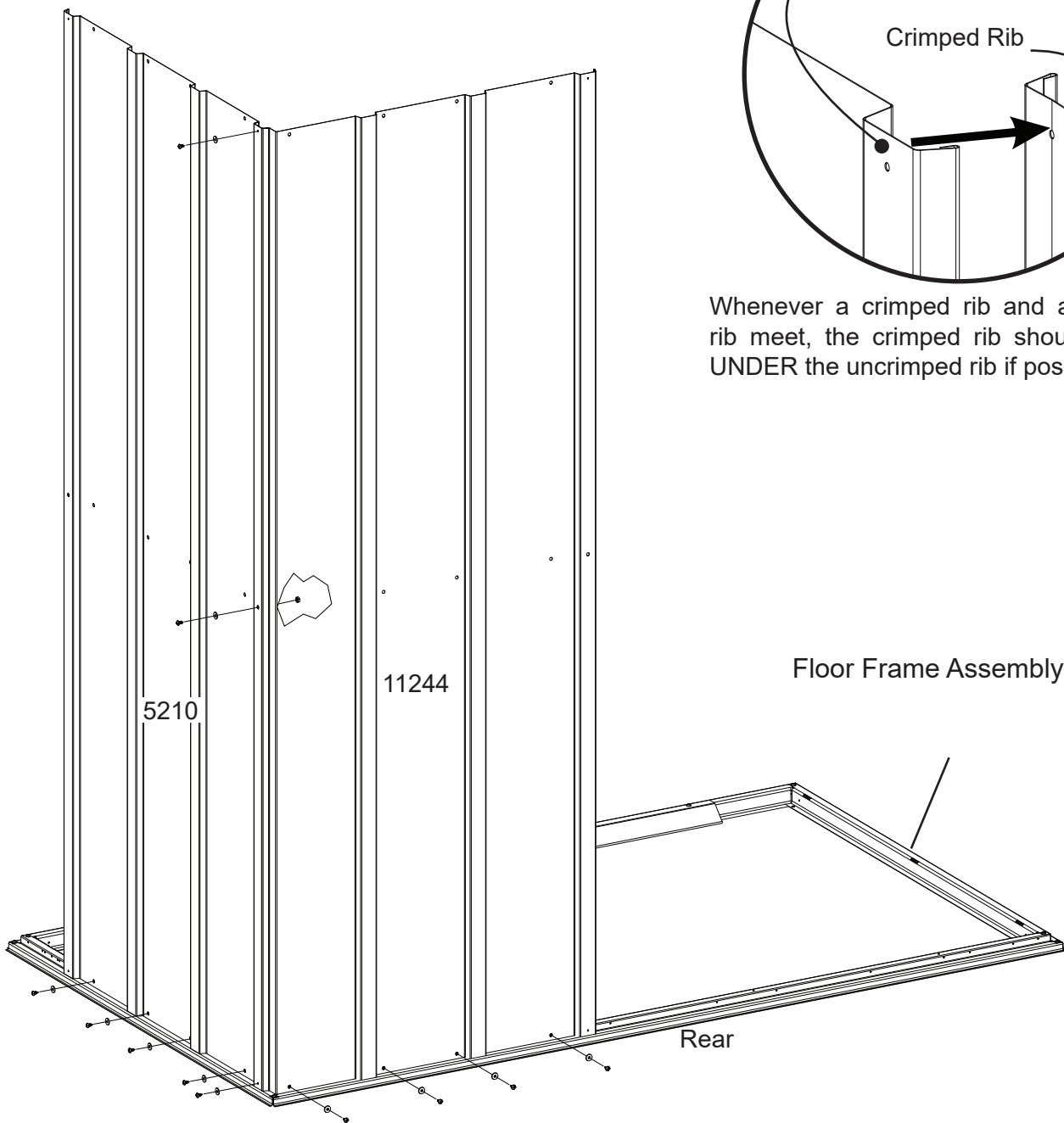
(QTY: 1)

11244 **1**
Rear Corner Panel

5210 **1**
Wall Panel

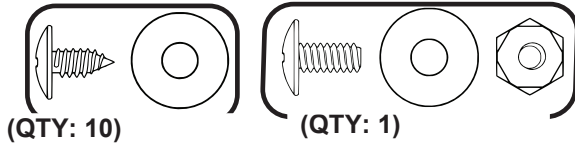


Whenever a crimped rib and an uncrimped rib meet, the crimped rib should be placed **UNDER** the uncrimped rib if possible.



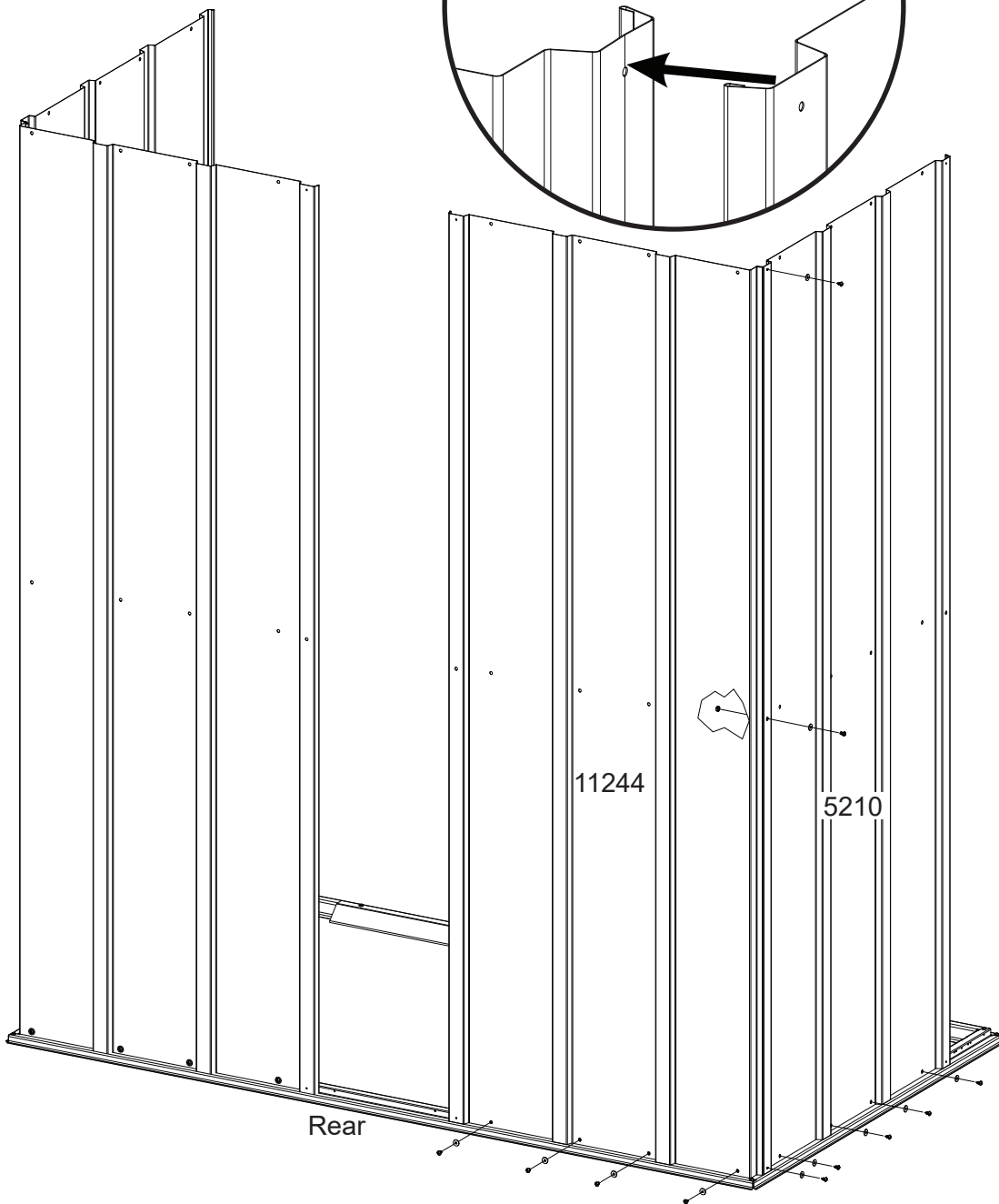
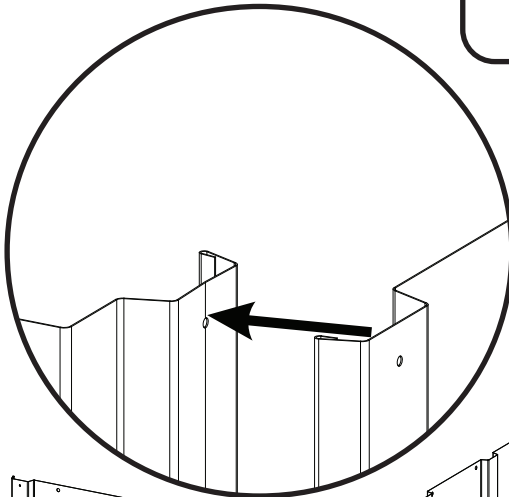
Step 2

You will need for this page:



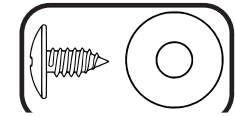
11244 **1**
Rear Corner Panel

5210 **1**
Wall Panel

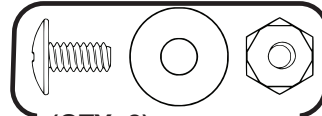


Step 2

You will need for this page:



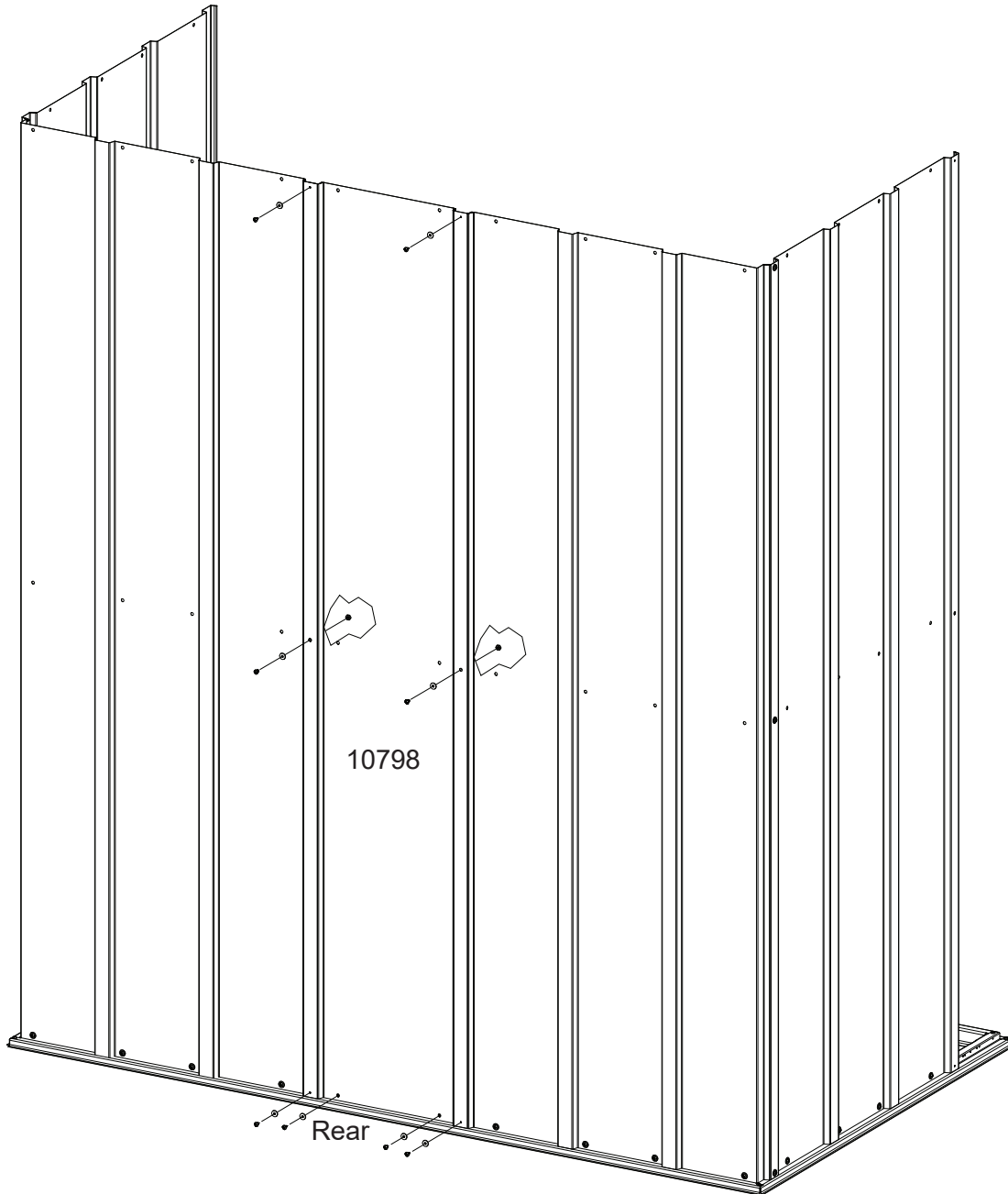
(QTY: 6)



(QTY: 2)

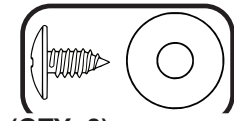
10798 **1**

Wall Panel

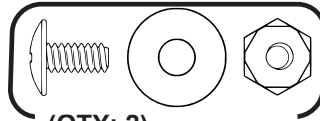


Step 2

You will need for this page:



(QTY: 8)

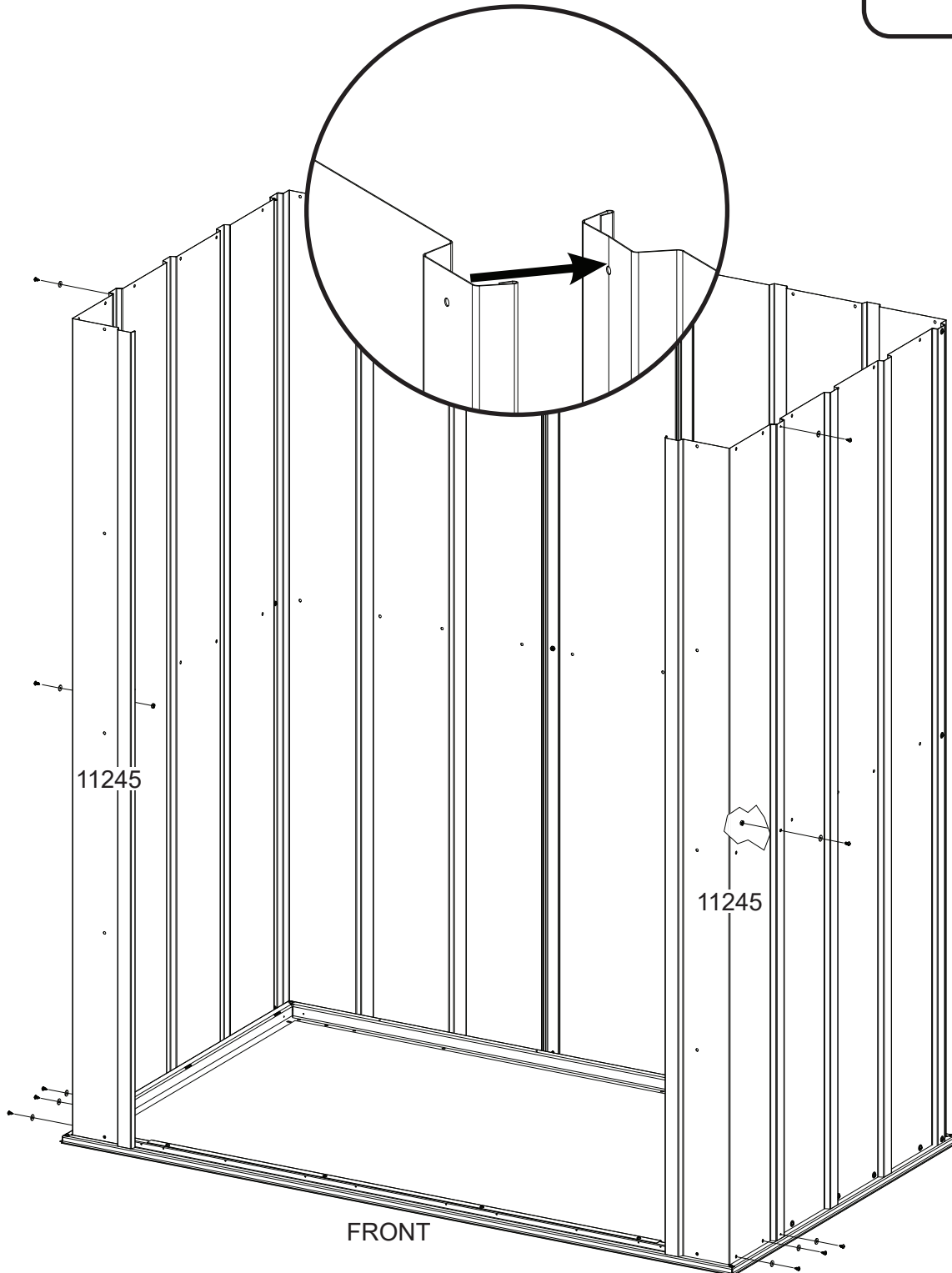


(QTY: 2)

11245

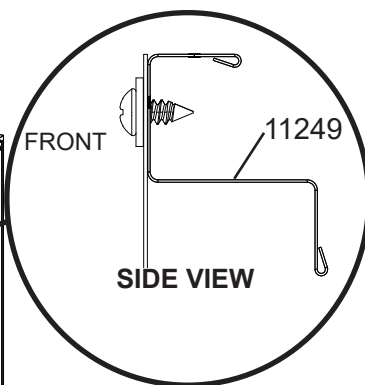
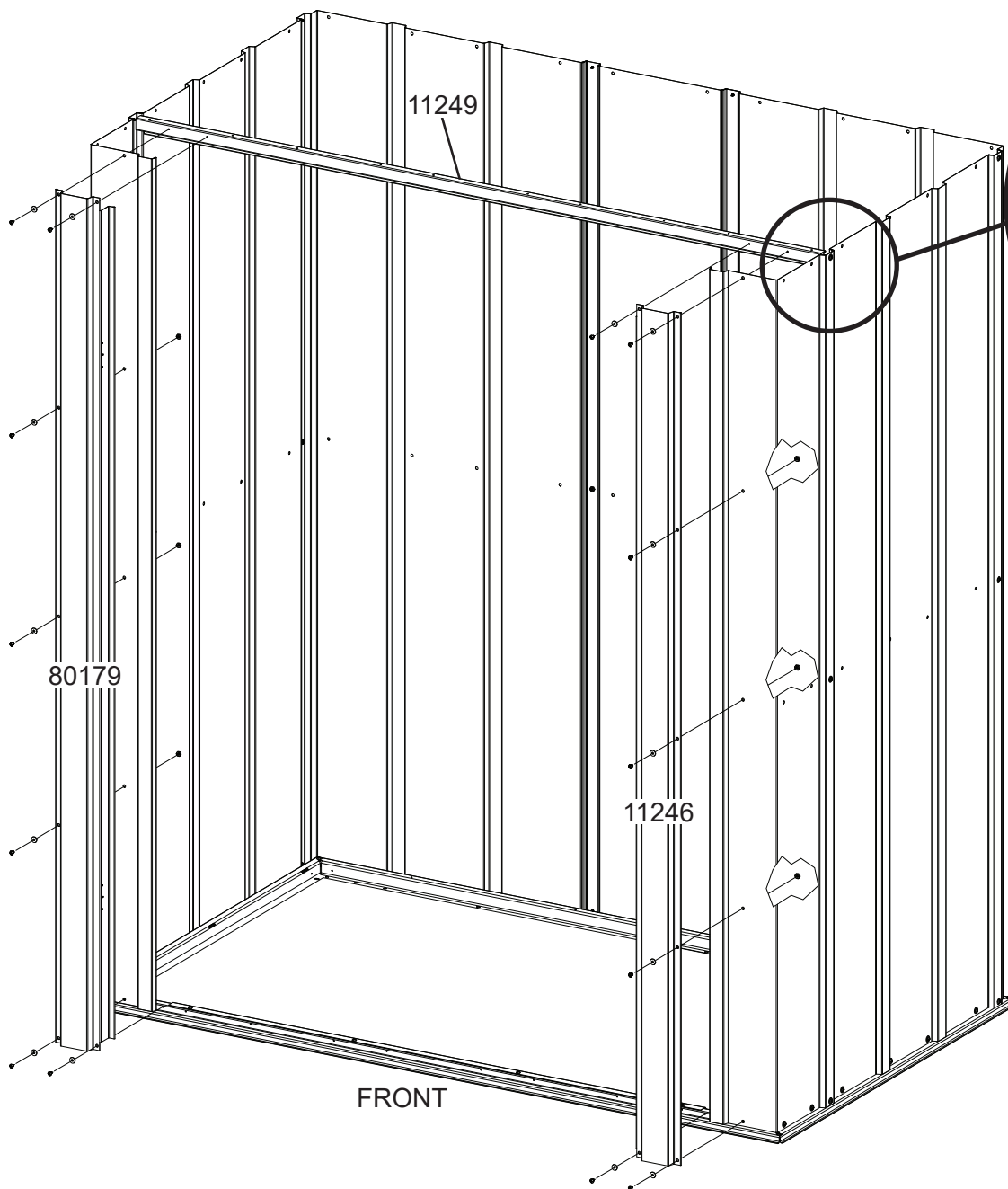
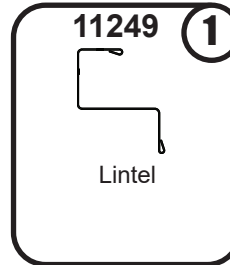
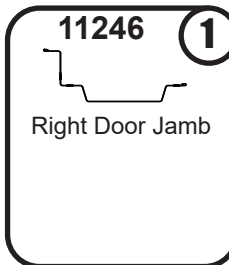
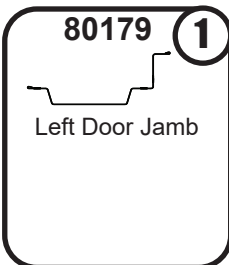
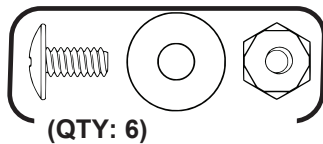
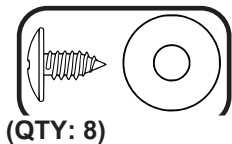
2

Front Corner Panel



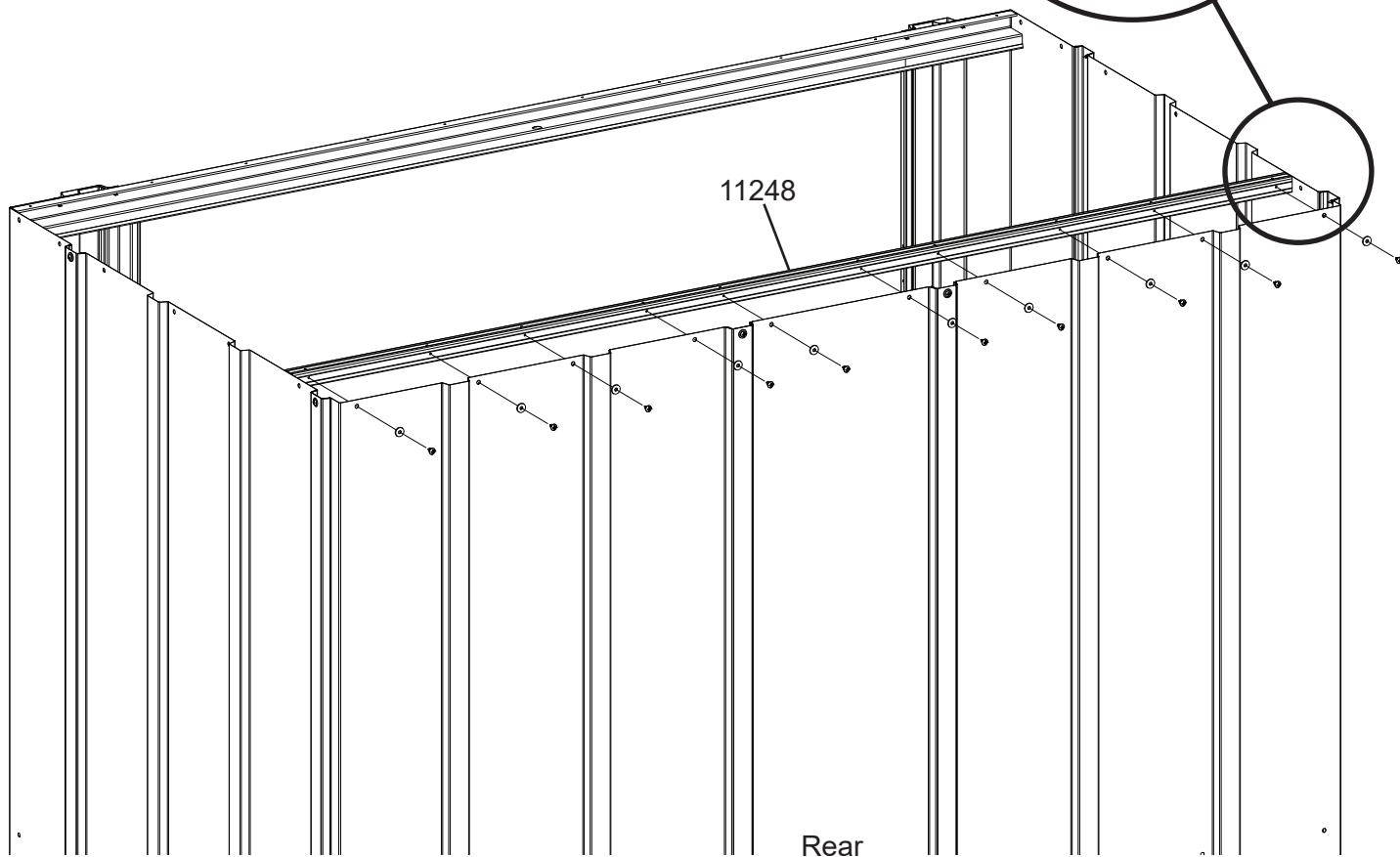
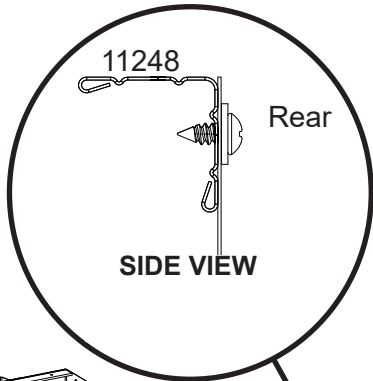
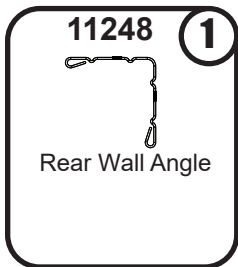
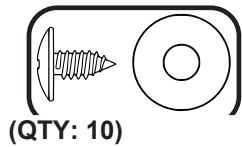
Step 2

You will need for this page:



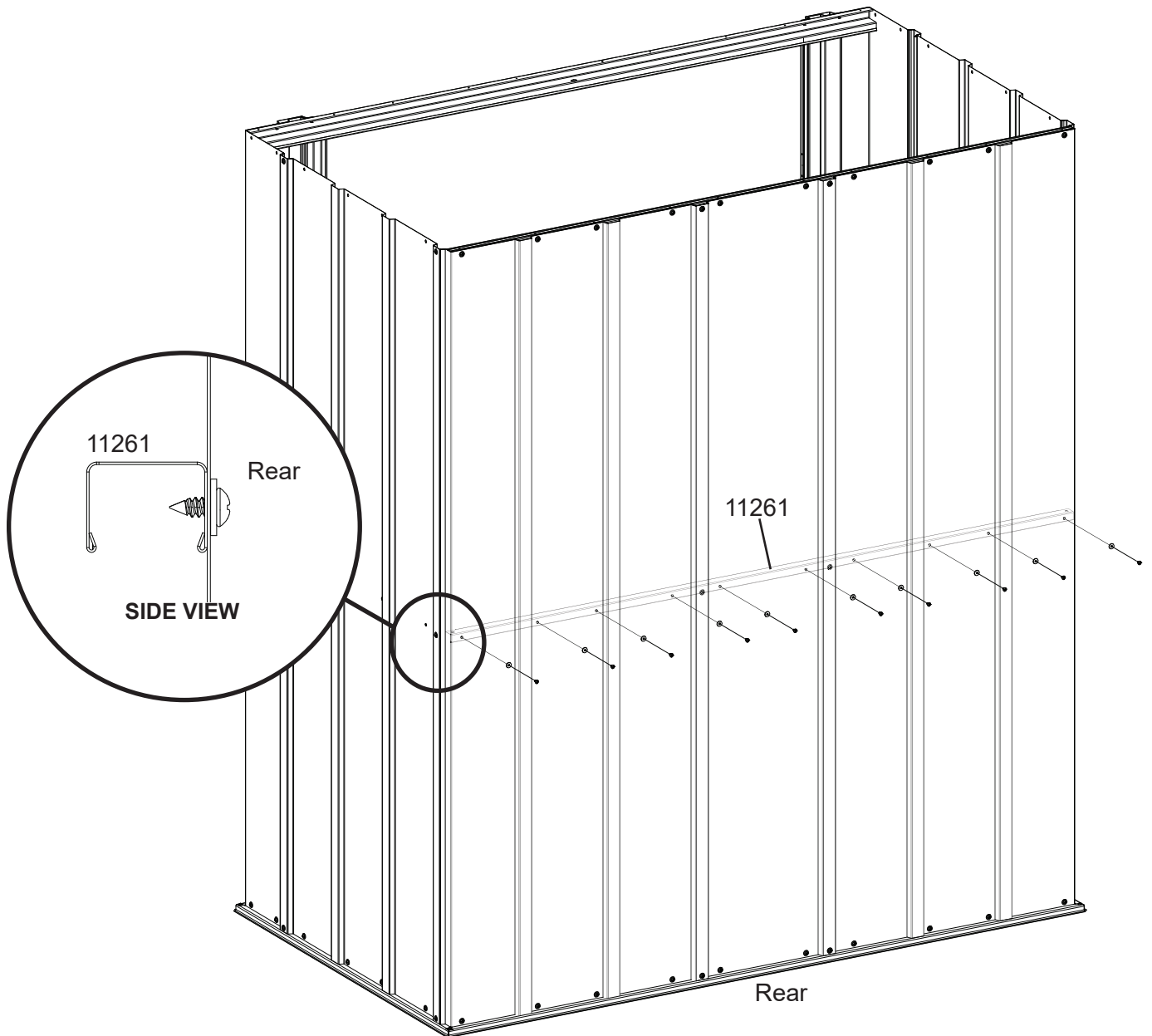
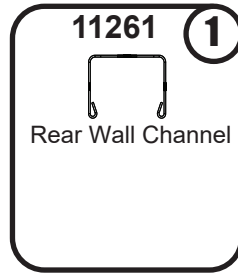
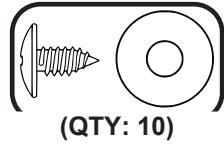
Step 2

You will need for this page:



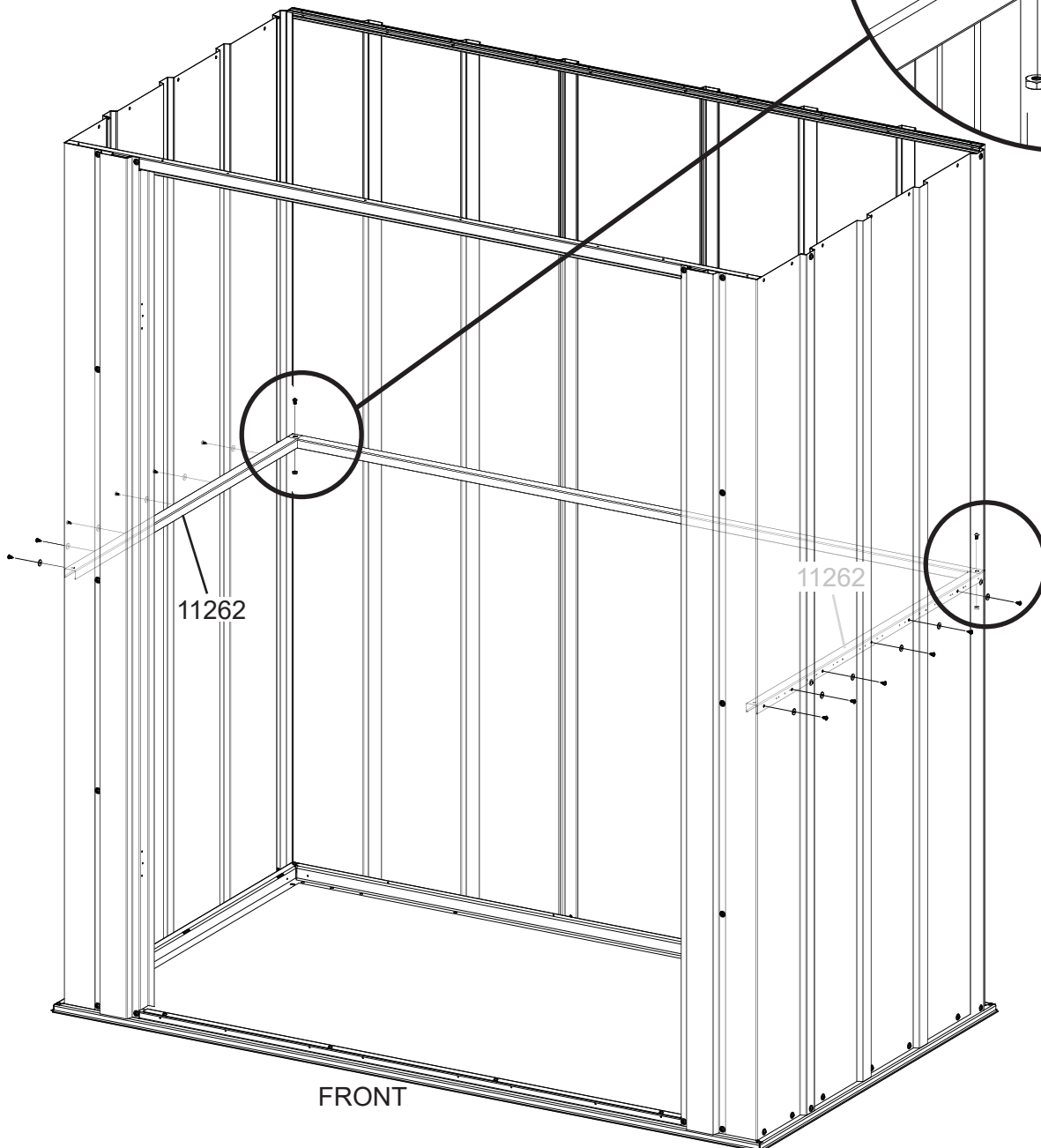
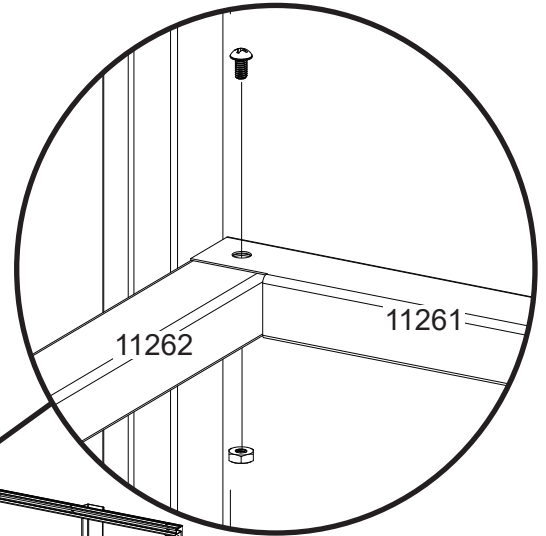
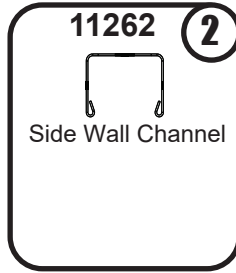
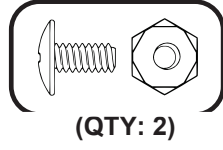
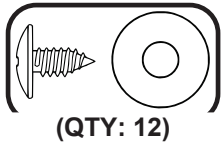
Step 3

You will need for this page:



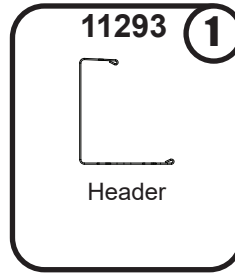
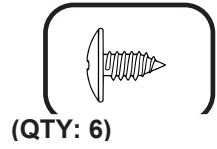
Step 3

You will need for this page:



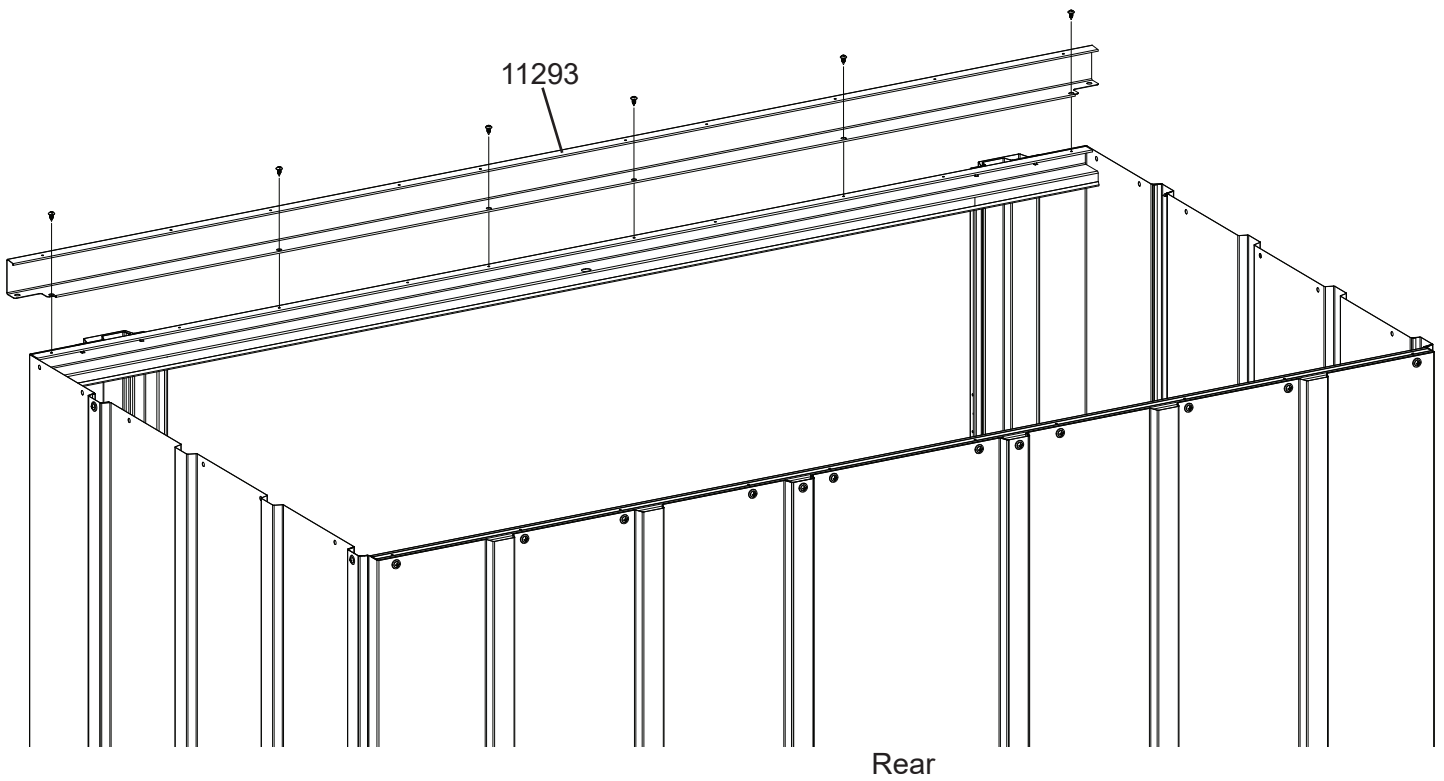
OPTION - A Step 4

You will need for this page:



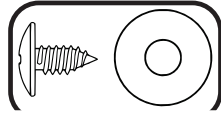
OPTION - A

FOR OPTION B, SKIP AND GO TO PAGES 32 TO 37.



OPTION - A Step 4

You will need for this page:



(QTY: 12)



(QTY: 2)

11268 **1**

Right Gable

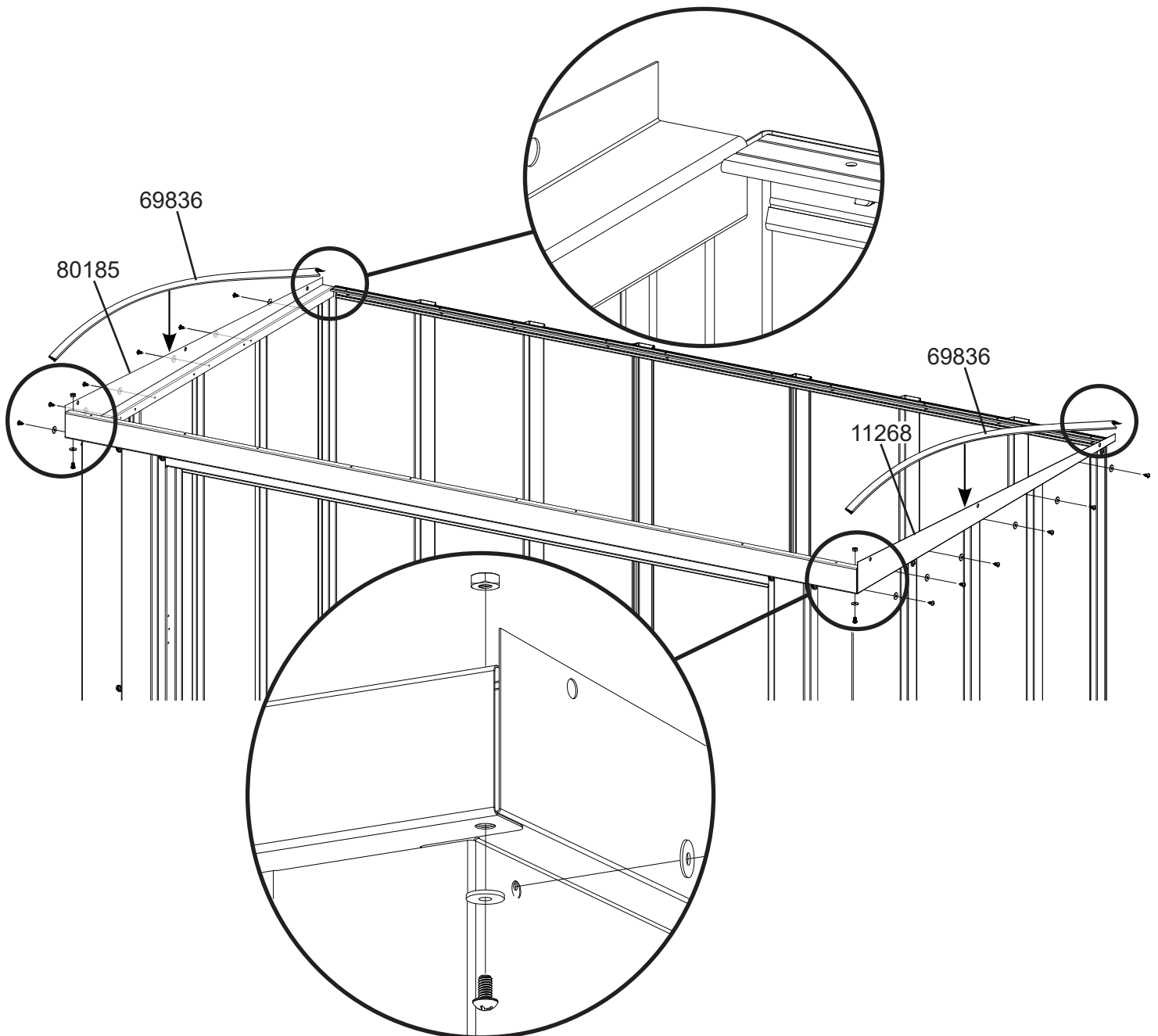
80185 **1**

Left Gable

69836 **2**

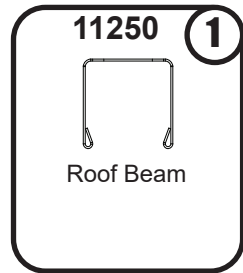
Edge Trim (Purple)

OPTION - A

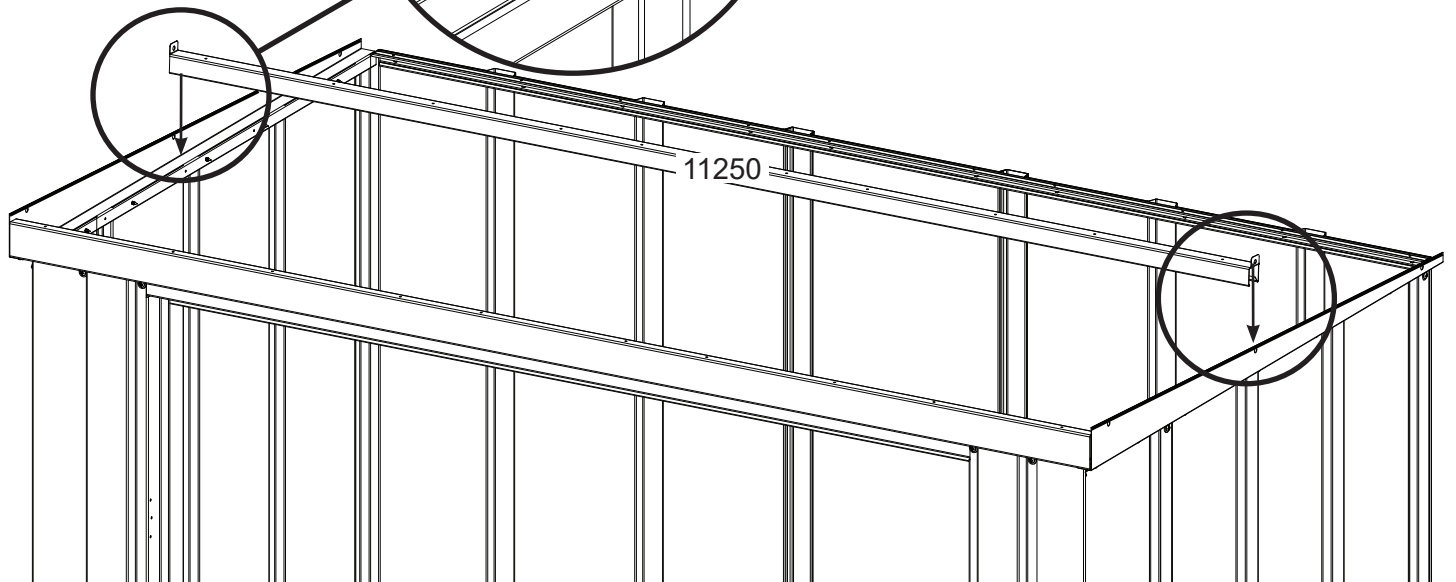
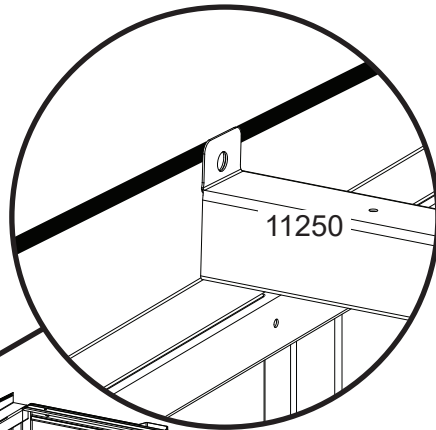
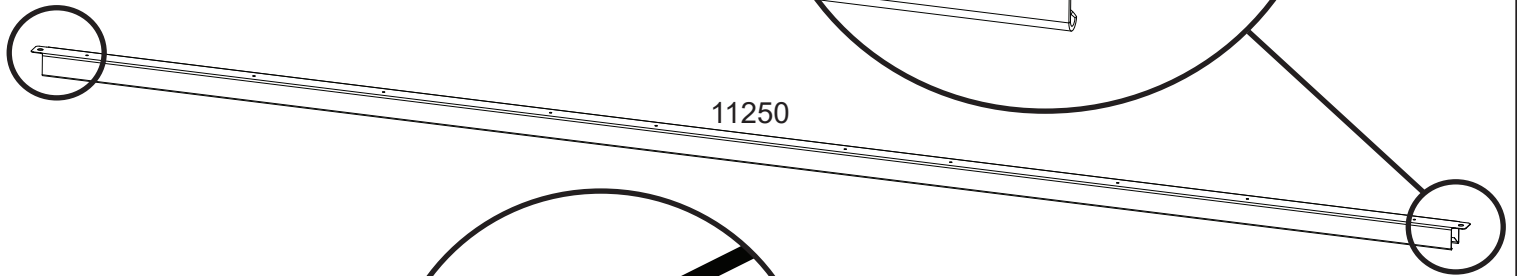
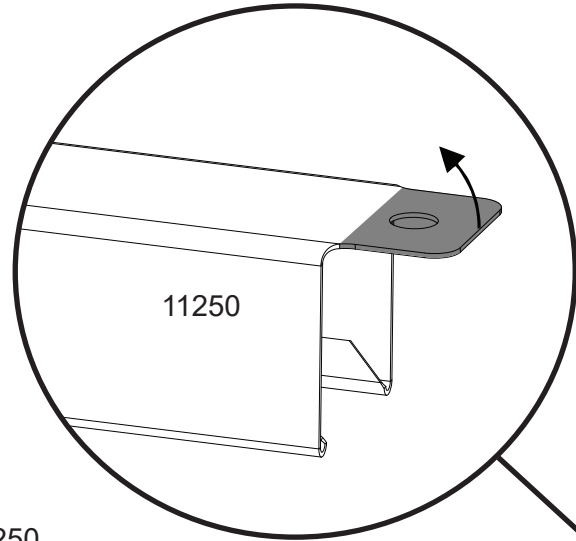


OPTION - A Step 4

You will need for this page:



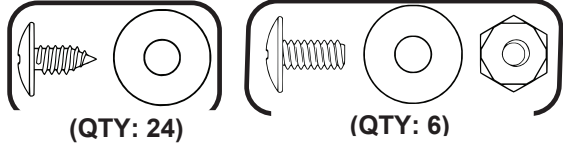
OPTION - A



FRONT

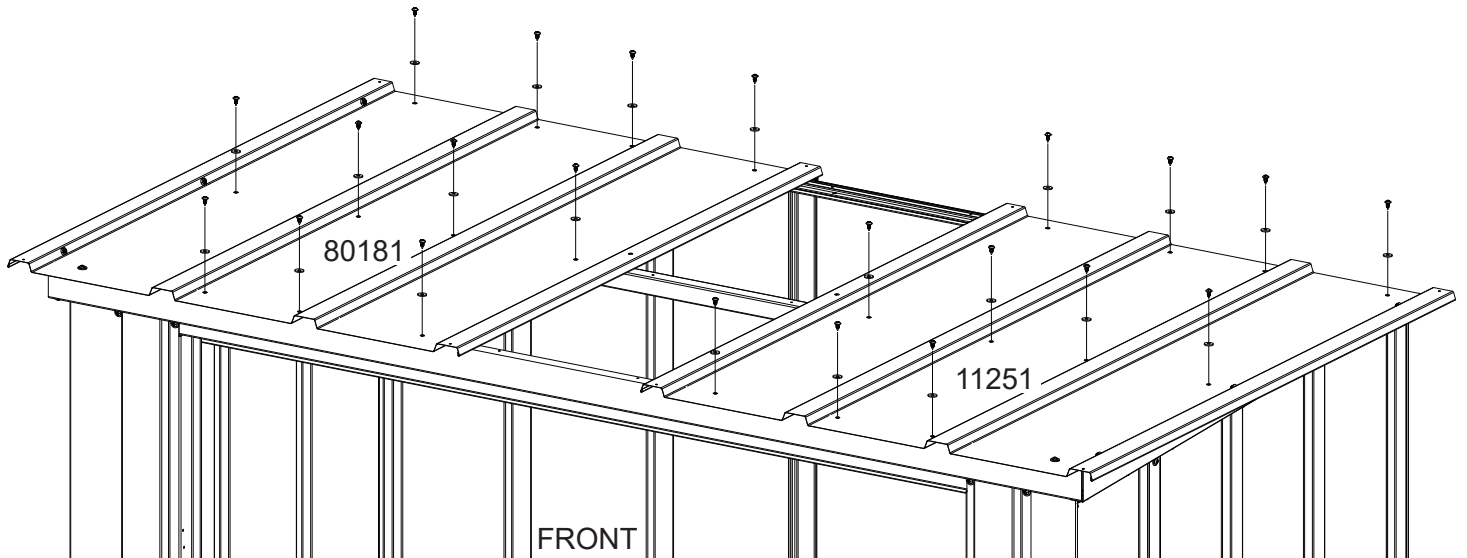
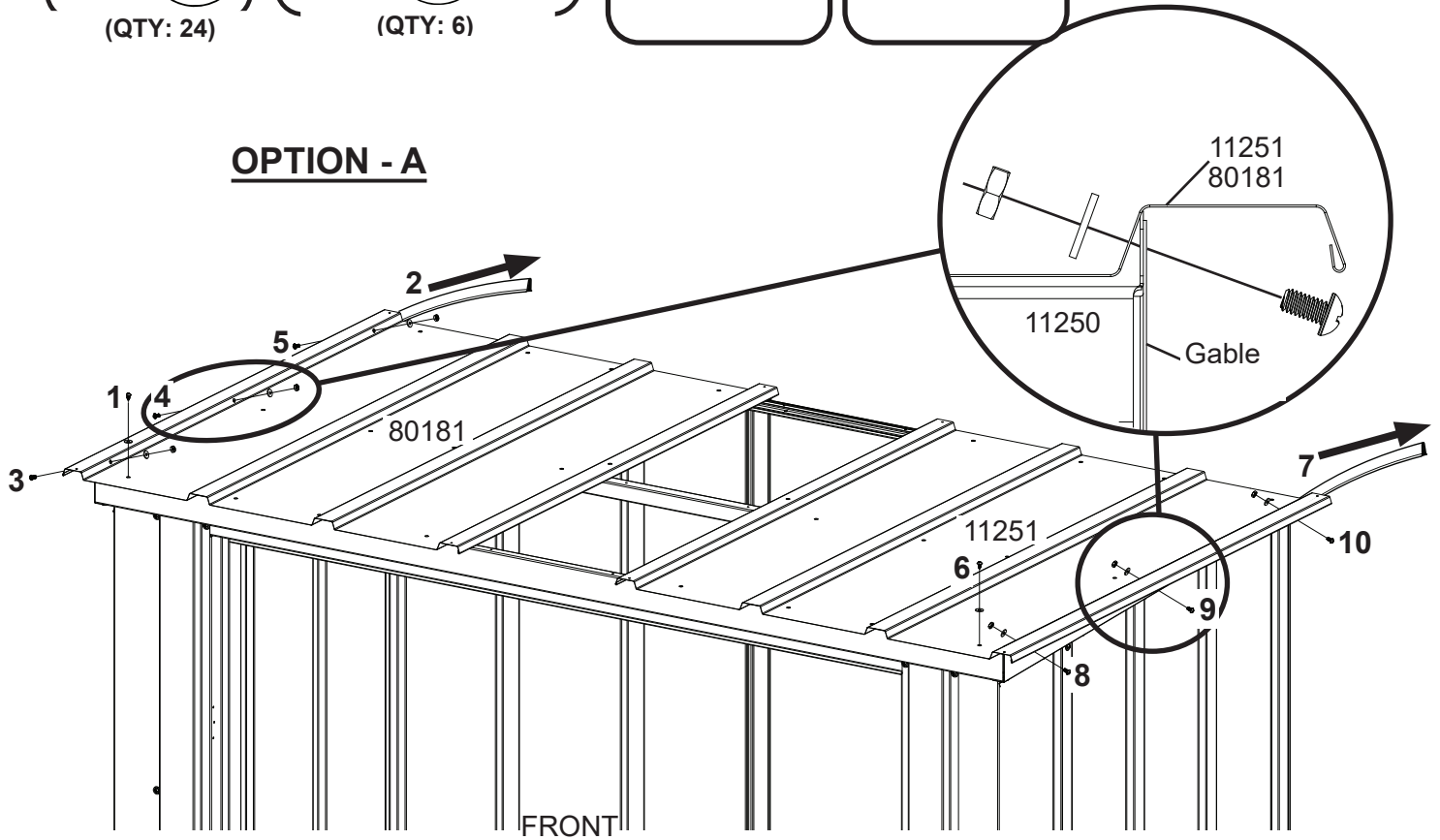
OPTION - A Step 5

You will need for this page:



11251 (1)	80181 (1)
Right Roof Panel	Left Roof Panel

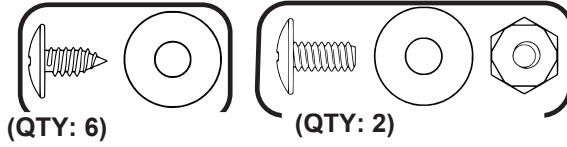
OPTION - A



OPTION - A Step 5

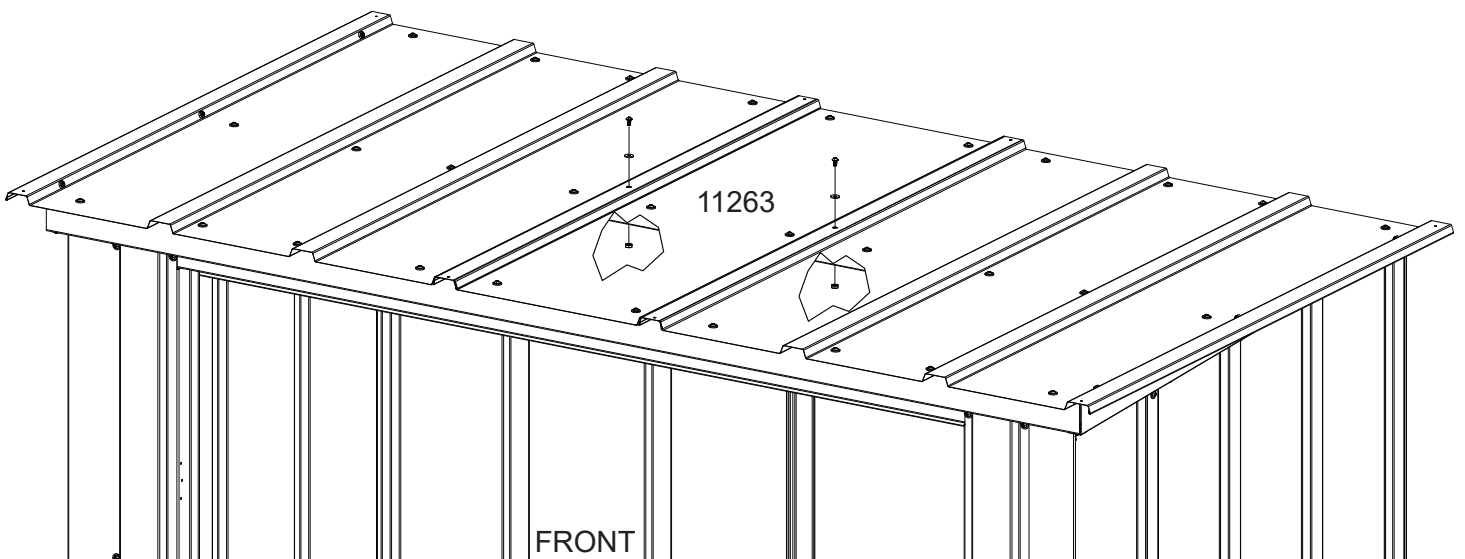
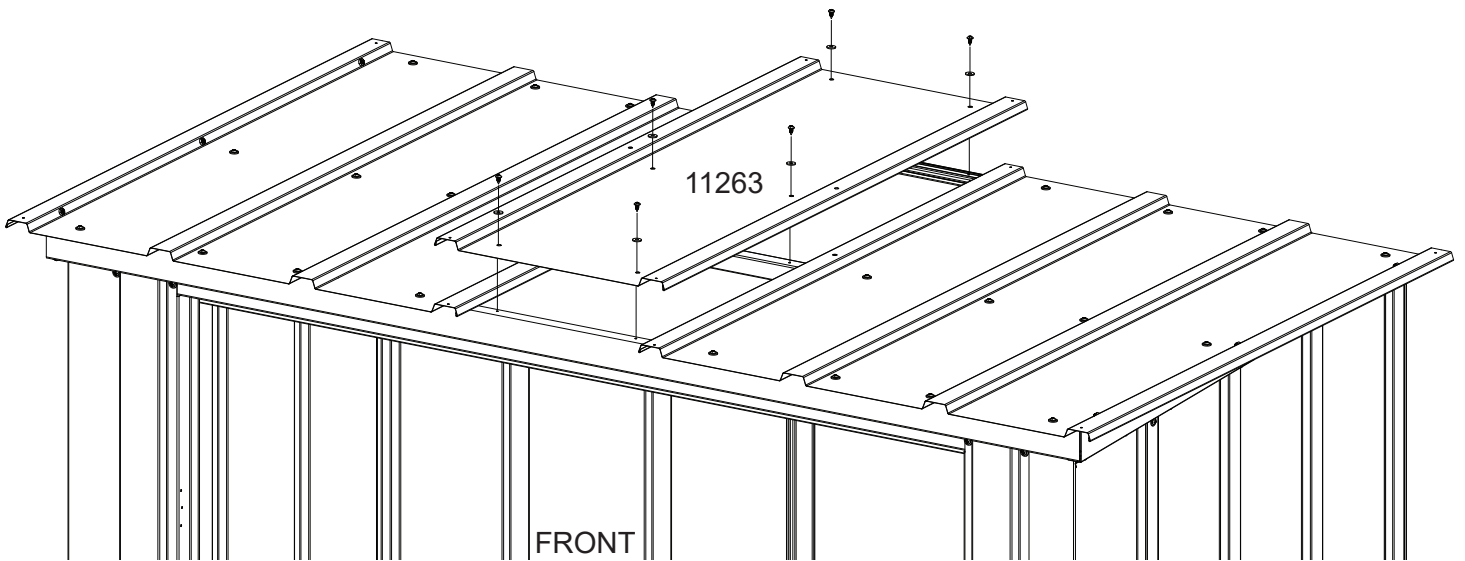
30GX

You will need for this page:



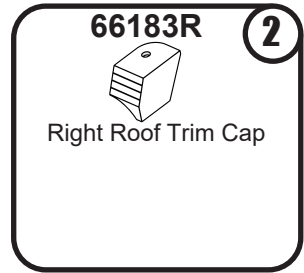
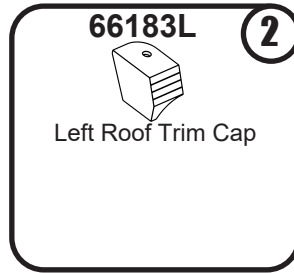
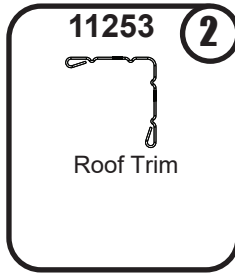
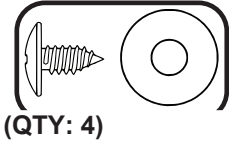
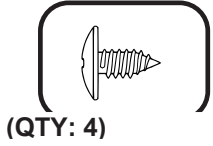
11263 **1**
Roof Panel

OPTION - A

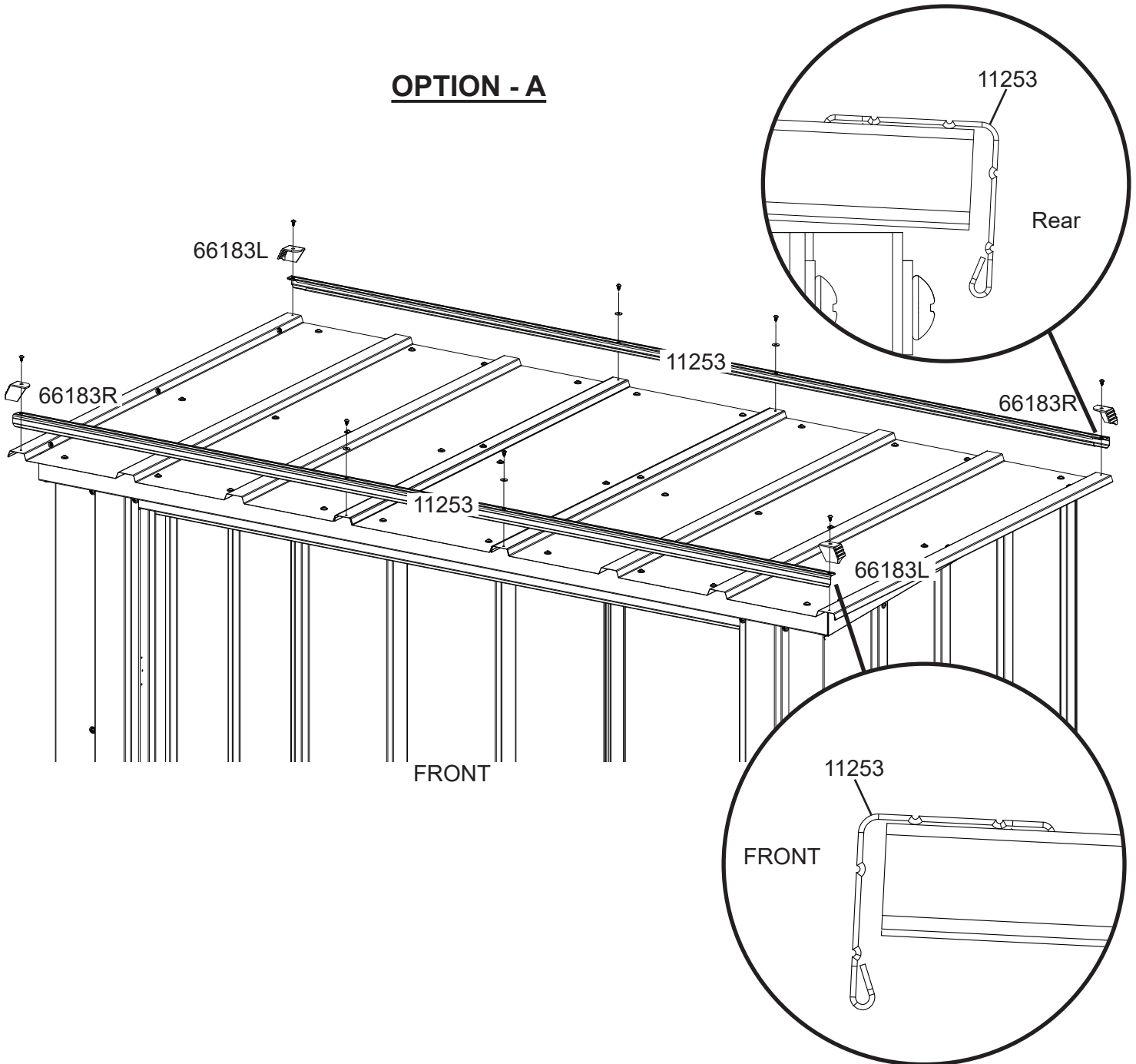


OPTION - A Step 5

You will need for this page:

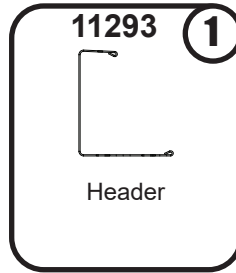
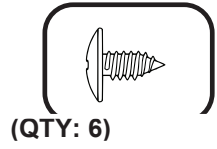


OPTION - A

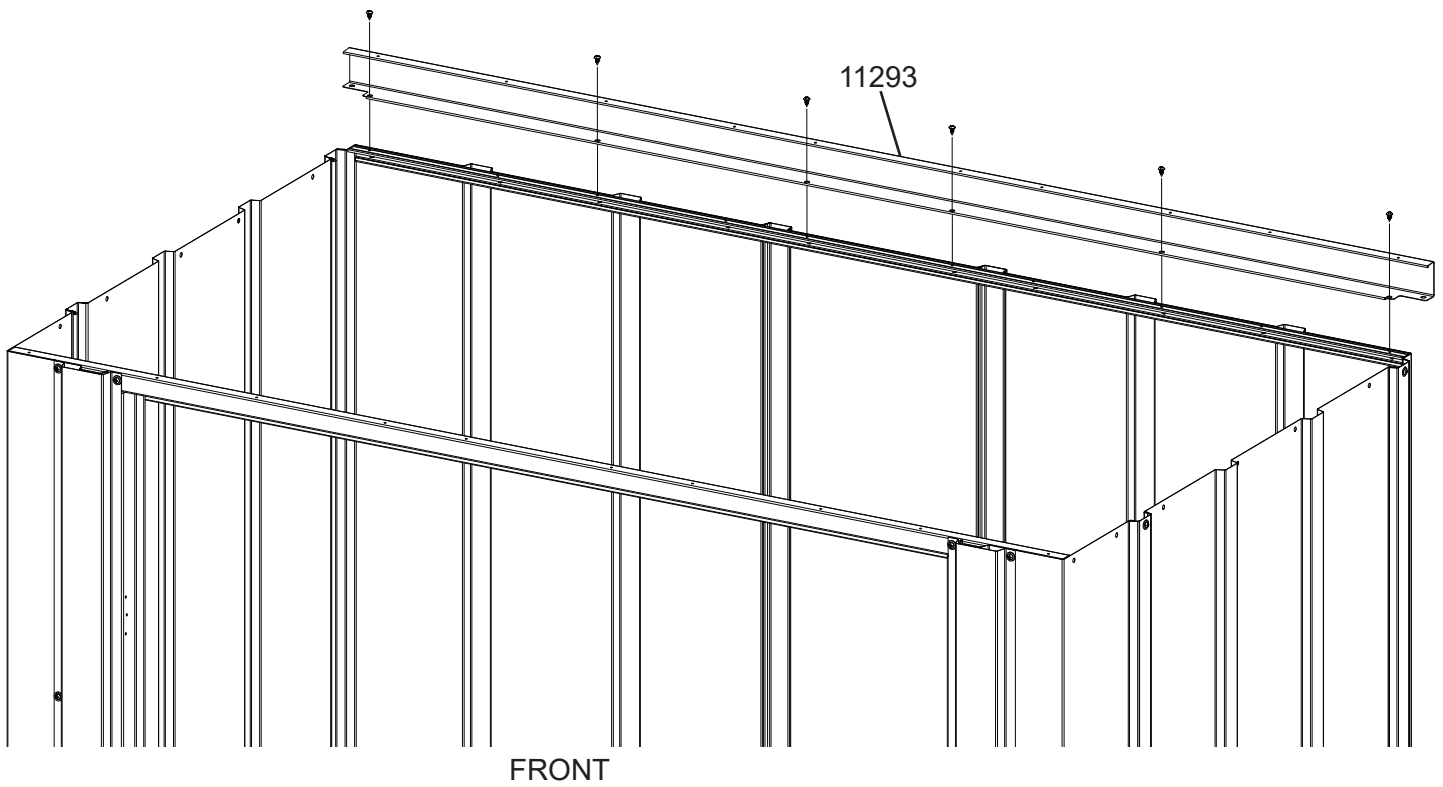


OPTION - B Step 4

You will need for this page:

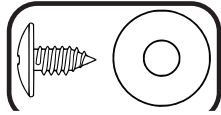


OPTION - B



OPTION - B Step 4

You will need for this page:



(QTY: 12)



(QTY: 2)

11268 **1**

Right Gable

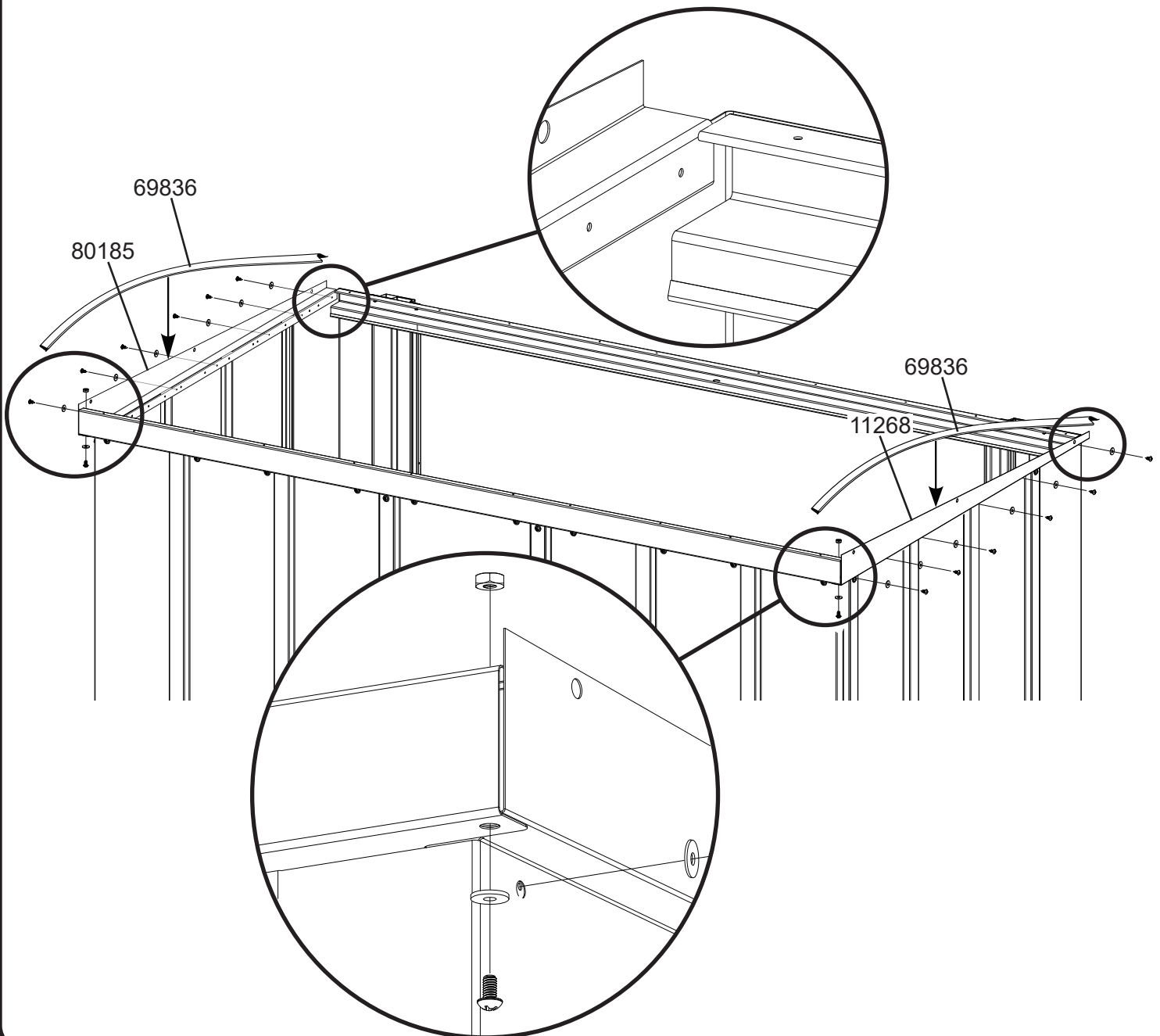
80185 **1**

Left Gable

69836 **2**

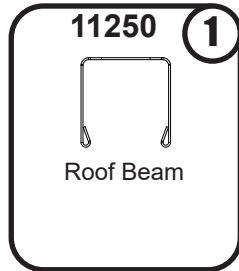
Edge Trim (Purple)

OPTION - B

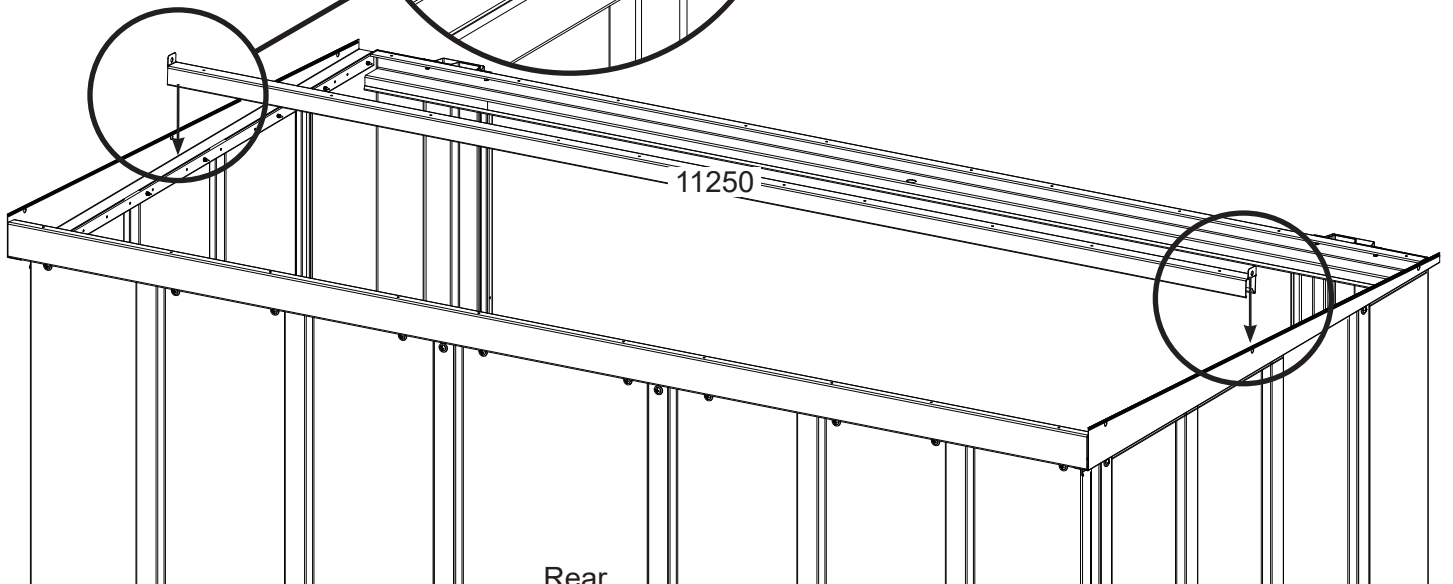
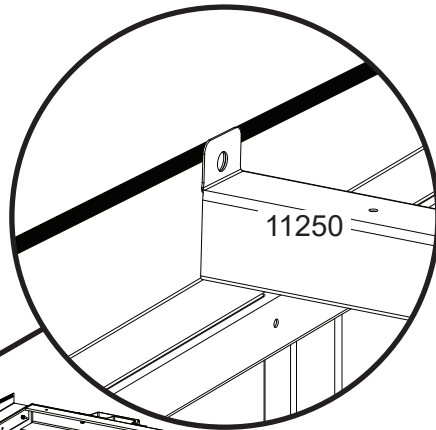
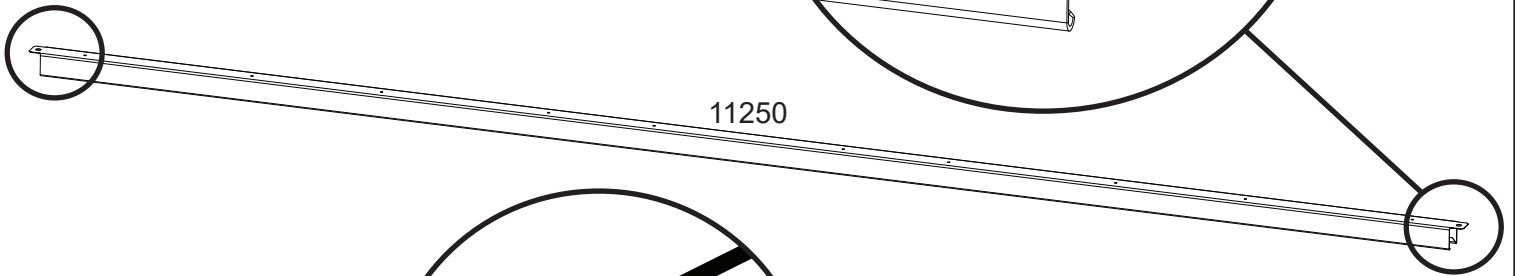
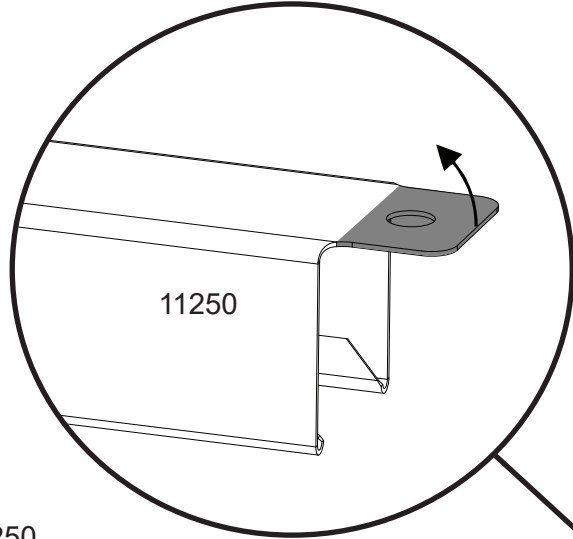


OPTION - B Step 4

You will need for this page:

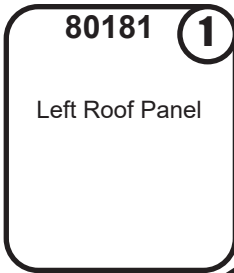
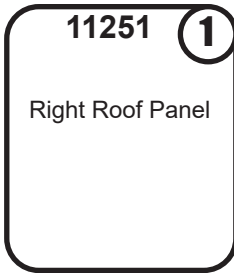
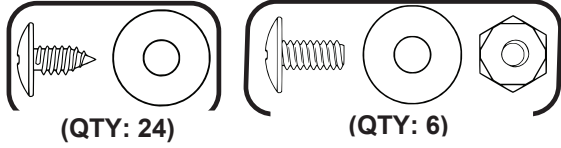


OPTION - B

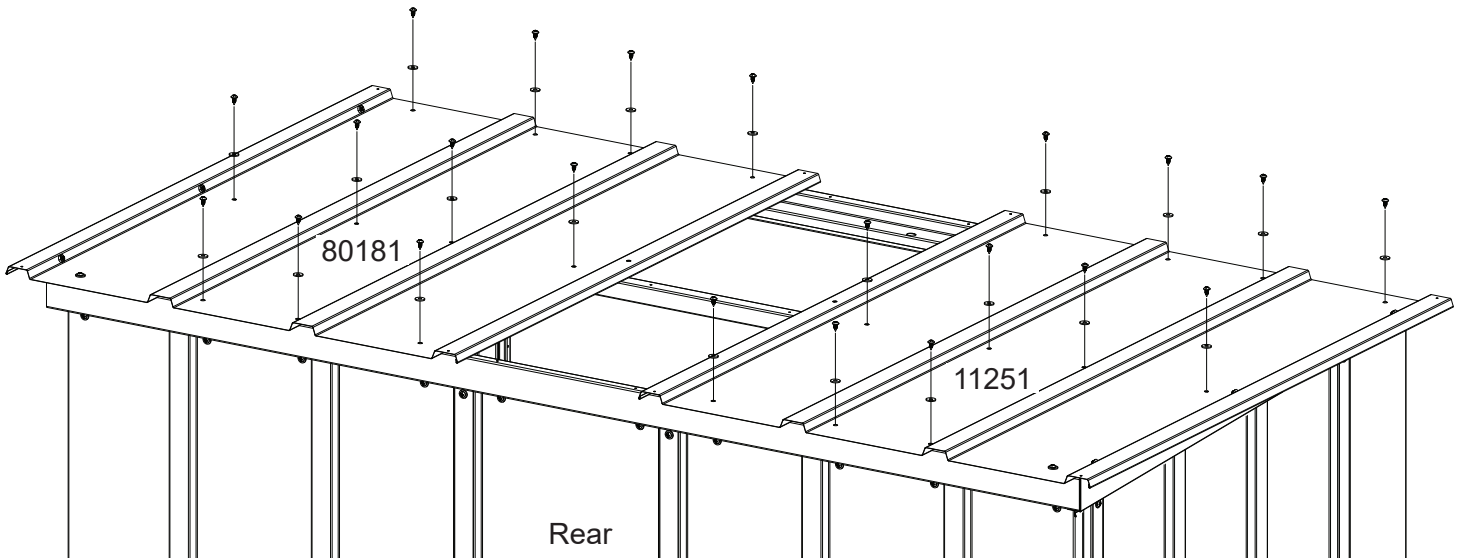
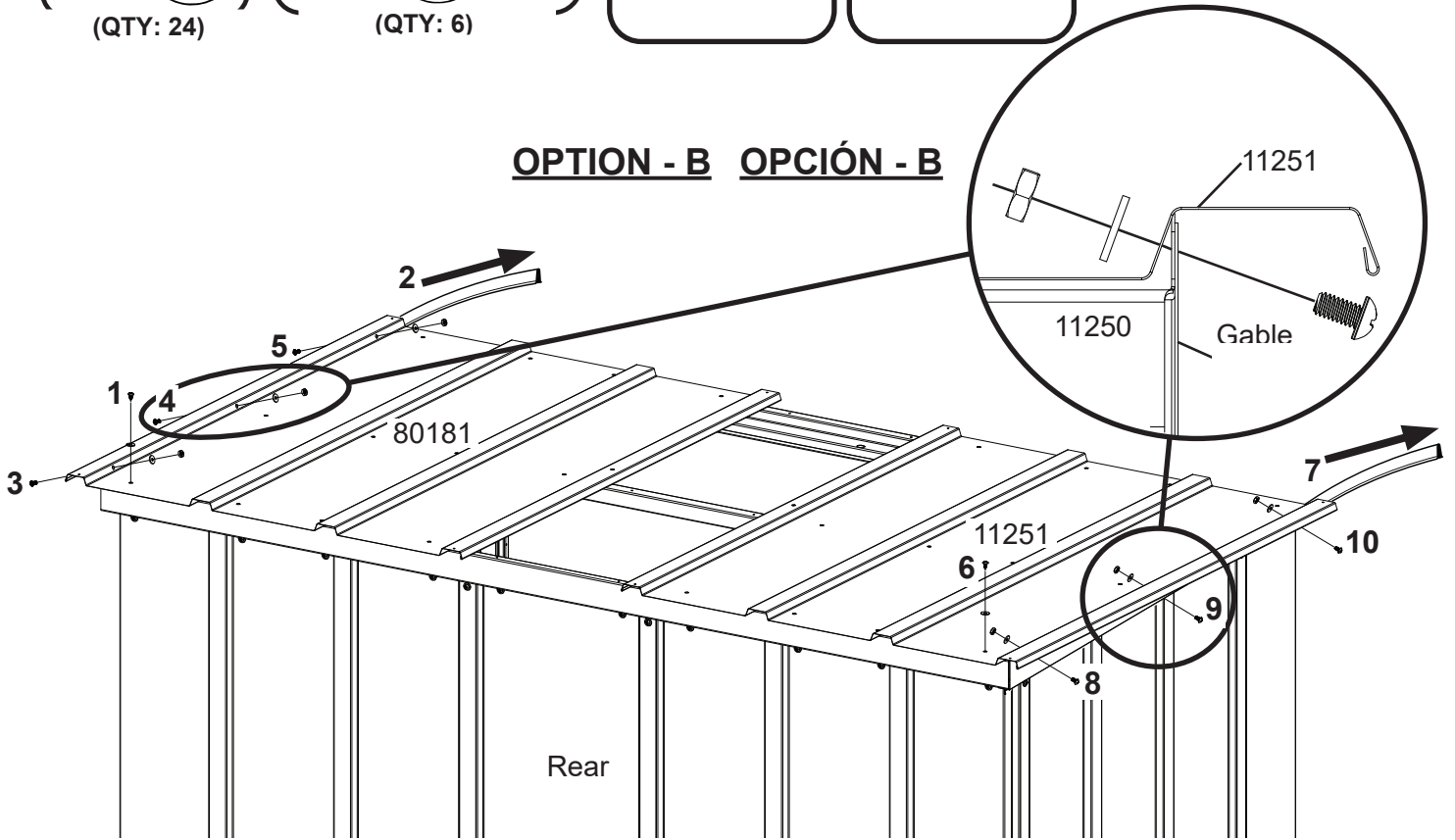


OPTION - B Step 5

You will need for this page:

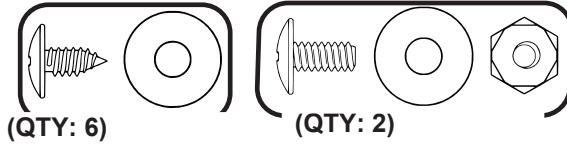


OPTION - B OPCIÓN - B



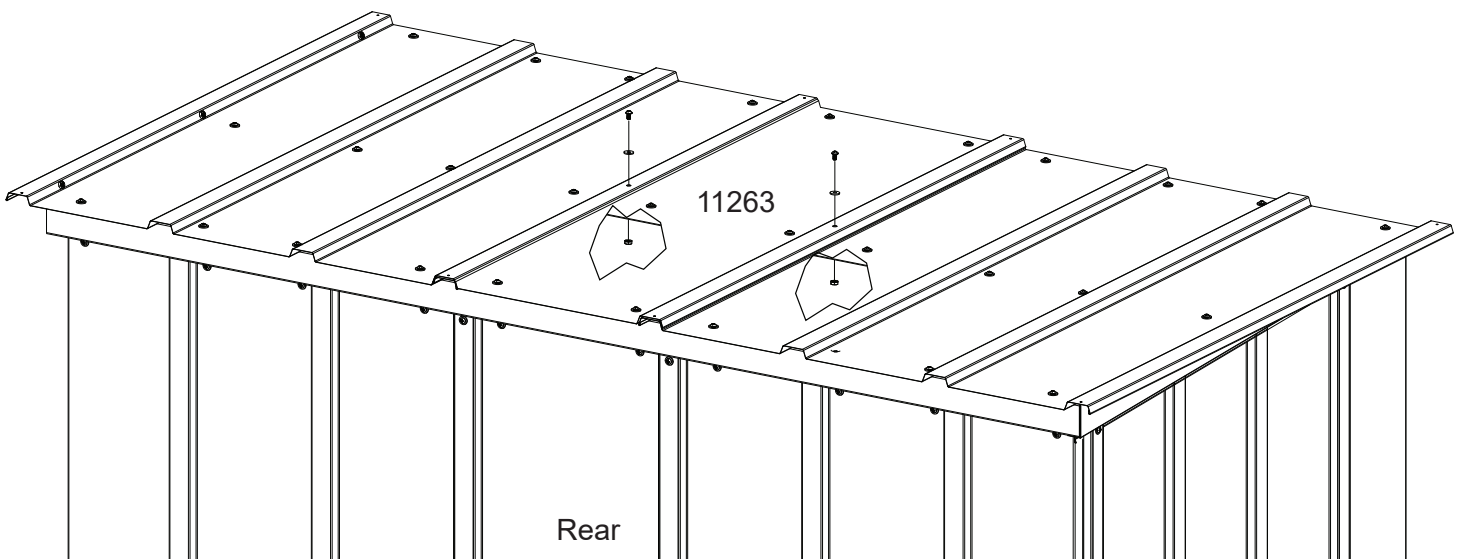
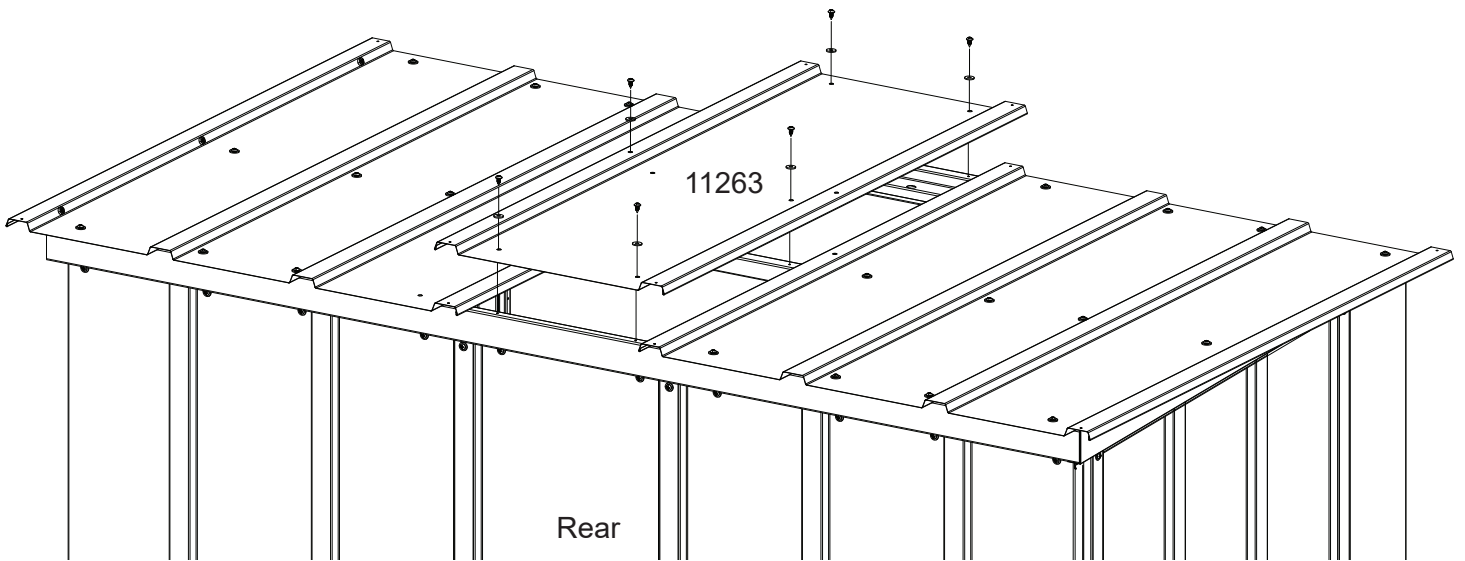
OPTION - B Step 5

You will need for this page:



11263 **1**
Roof Panel

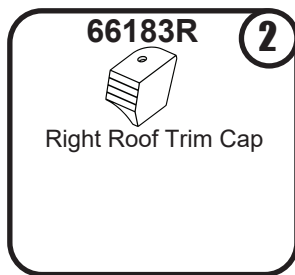
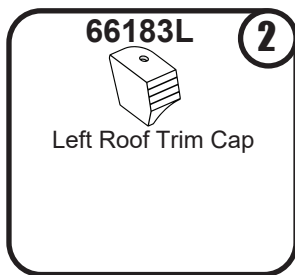
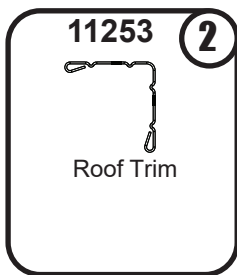
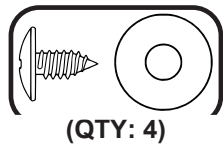
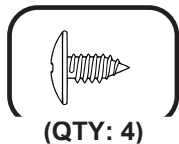
OPTION - B



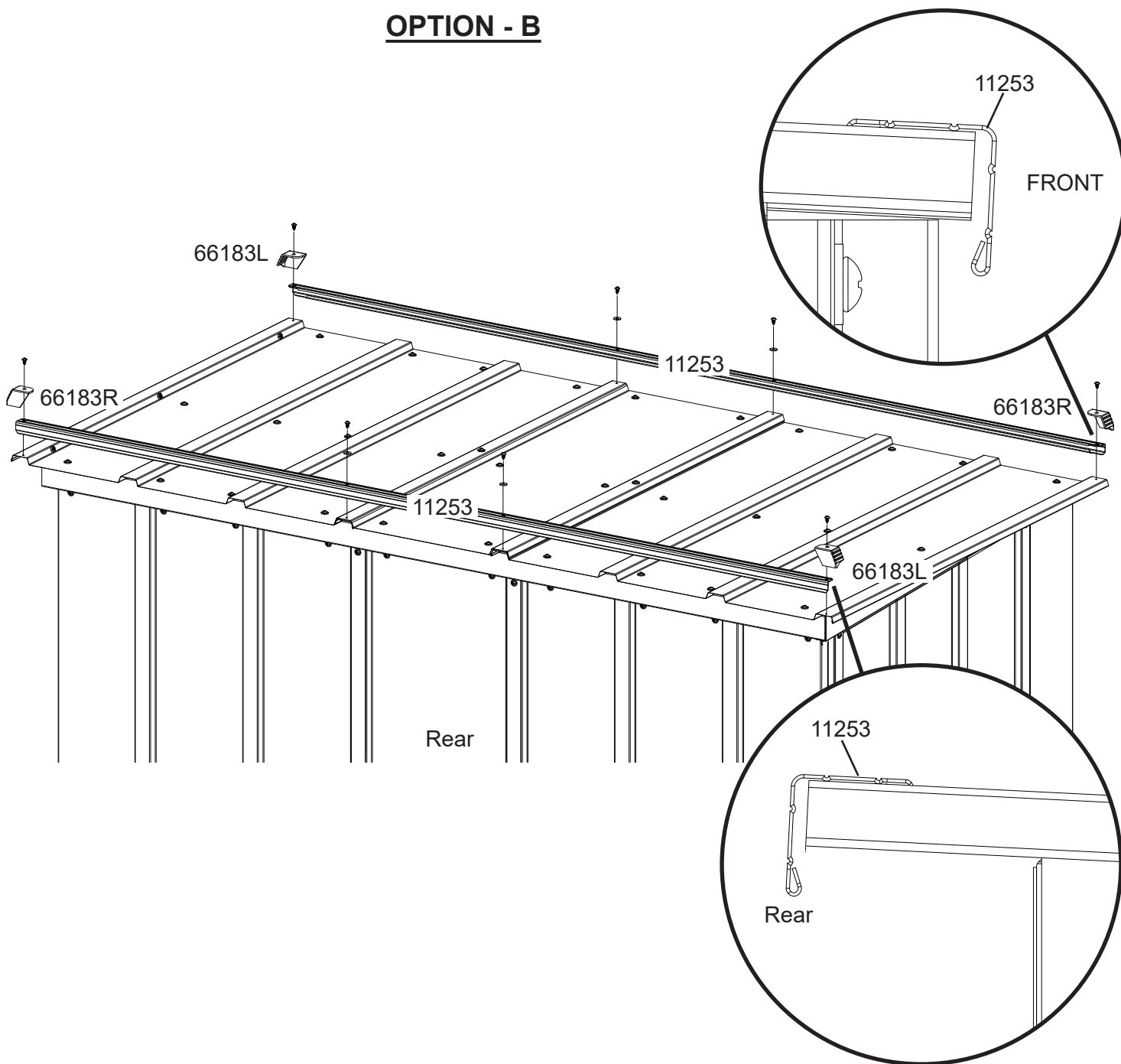
OPTION - B Step 5

37GX

You will need for this page:




OPTION - B



Step 6


You will need for this page:

11254 **1**




Door Panel

11256 **2**



Horizontal Door Brace

11257 **1**




Door Handle Brace

11258 **4**



Diagonal Door Brace

66692



QTY: 1

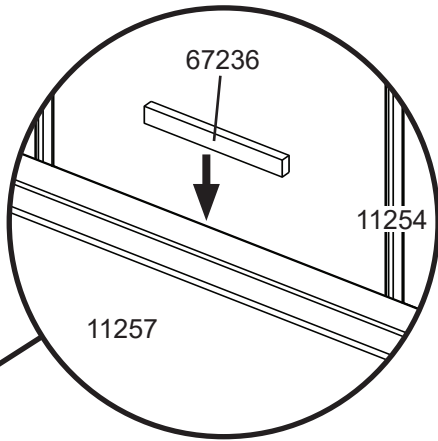
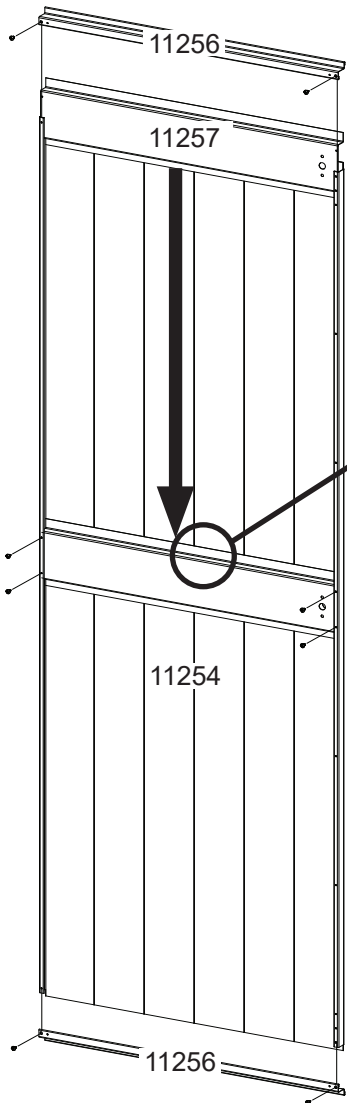
QTY: 12



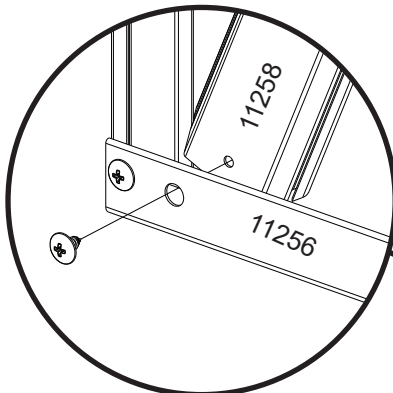
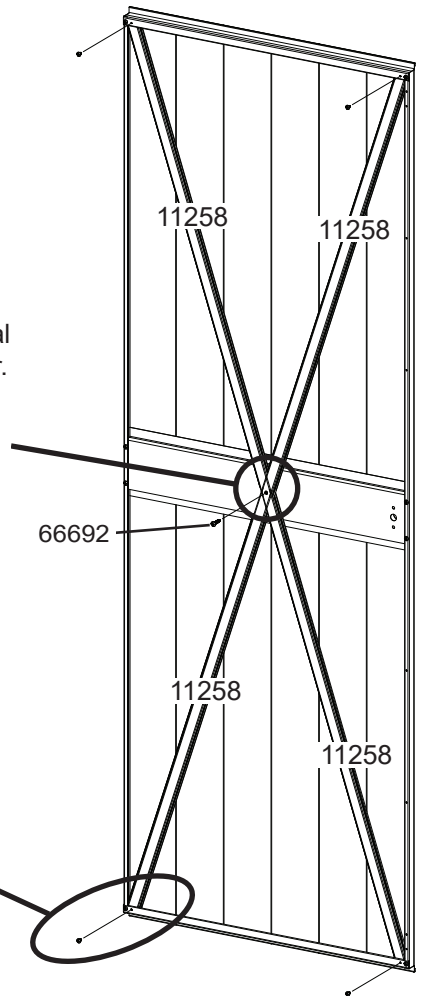
67236 **1**



Adhesive Pad

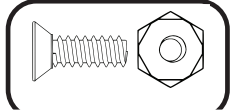


Large holes of Diagonal Door Braces go to center.



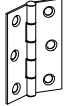
Step 6

You will need for this page:



(QTY: 6)

66609 **2**

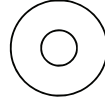


Hinge

E - NOT REQUIRED

30000

E

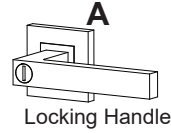


(QTY: 2)

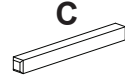
F



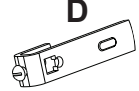
(QTY: 2)



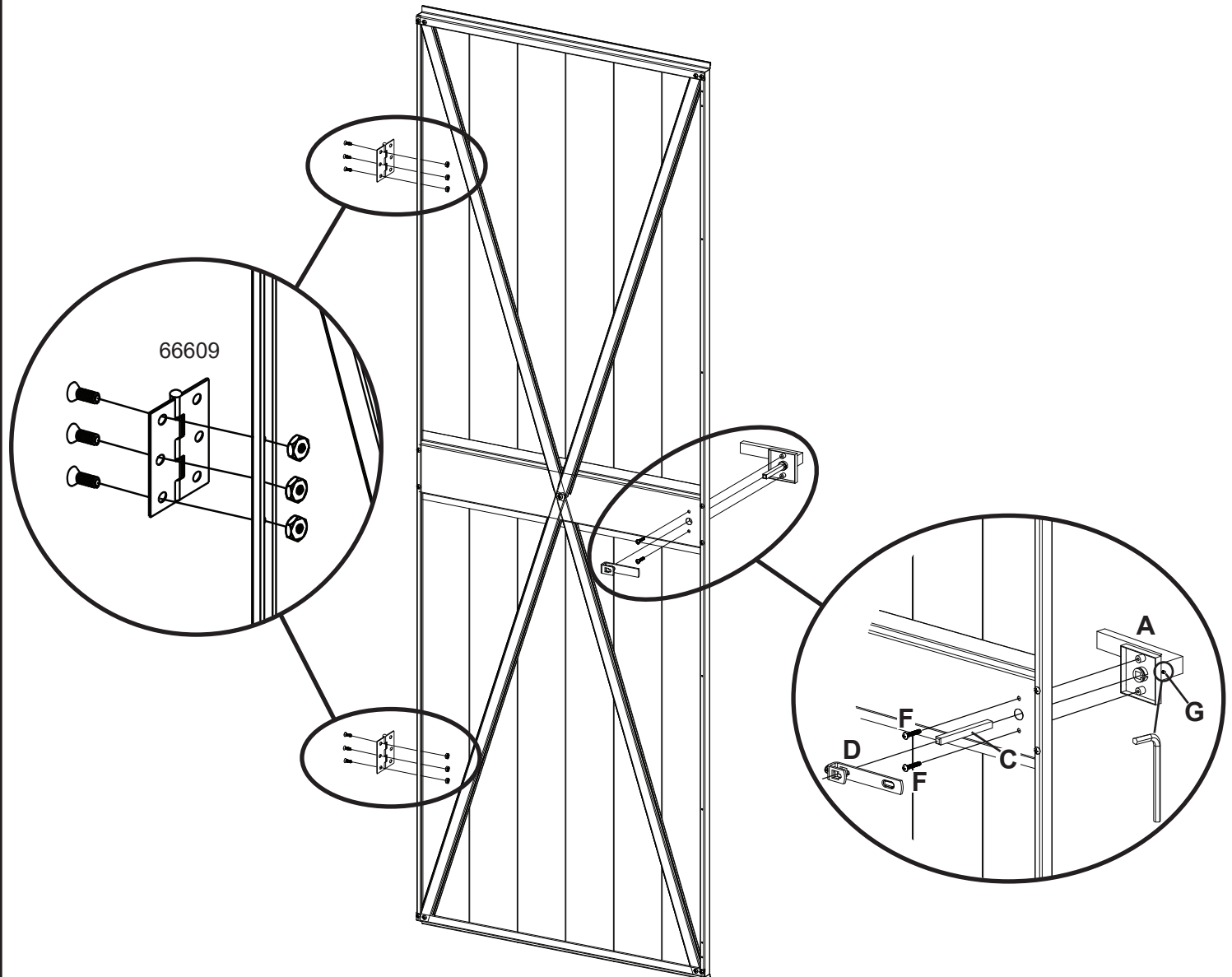
Locking Handle



Shaft-Handle

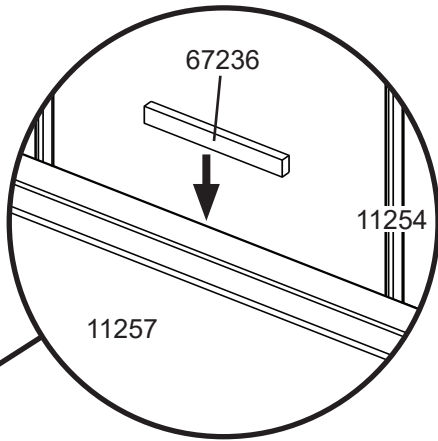
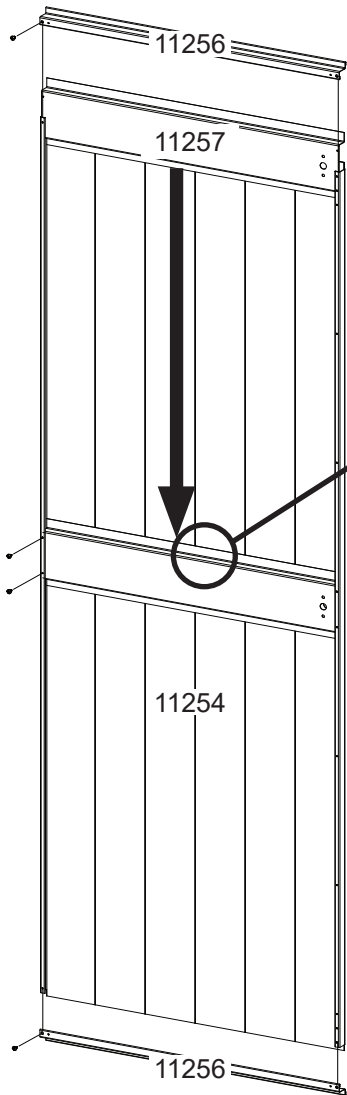
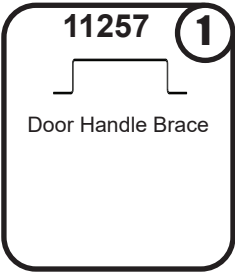
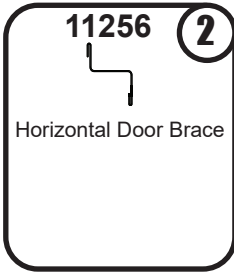
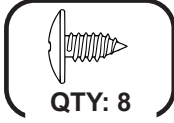


Latch

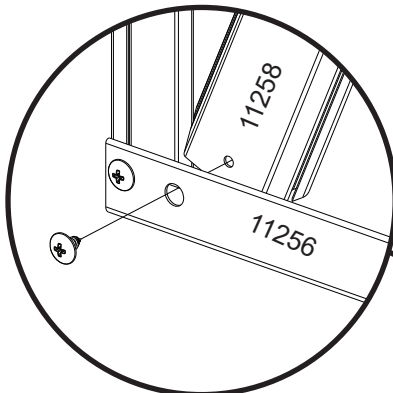
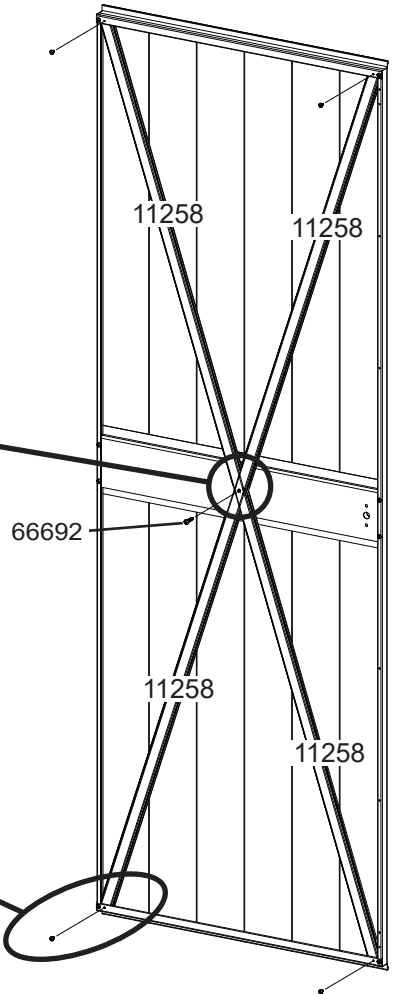


Step 6

You will need for this page:

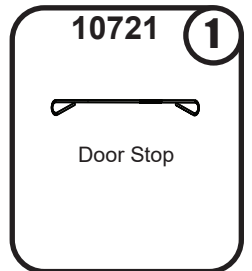
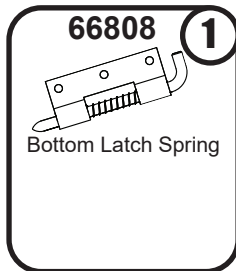
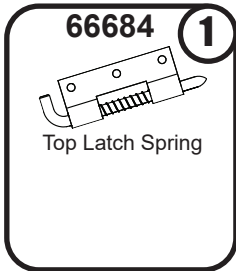
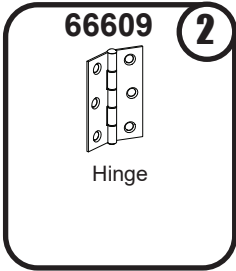
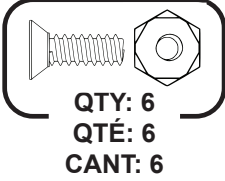


Large holes of Diagonal Door Braces go to center.



Step 6

You will need for this page:

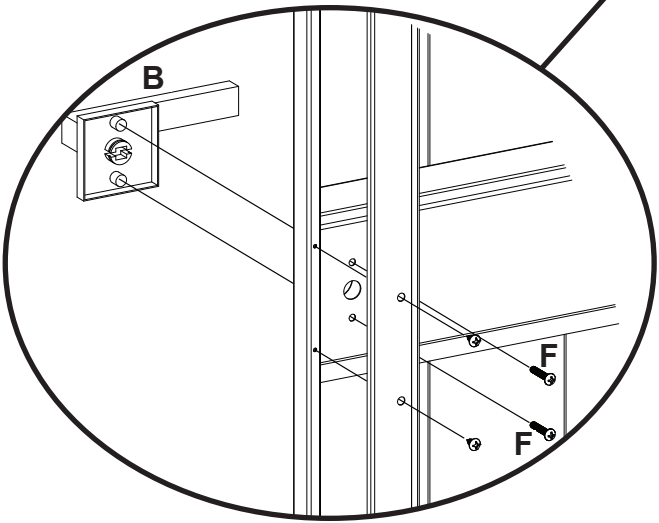
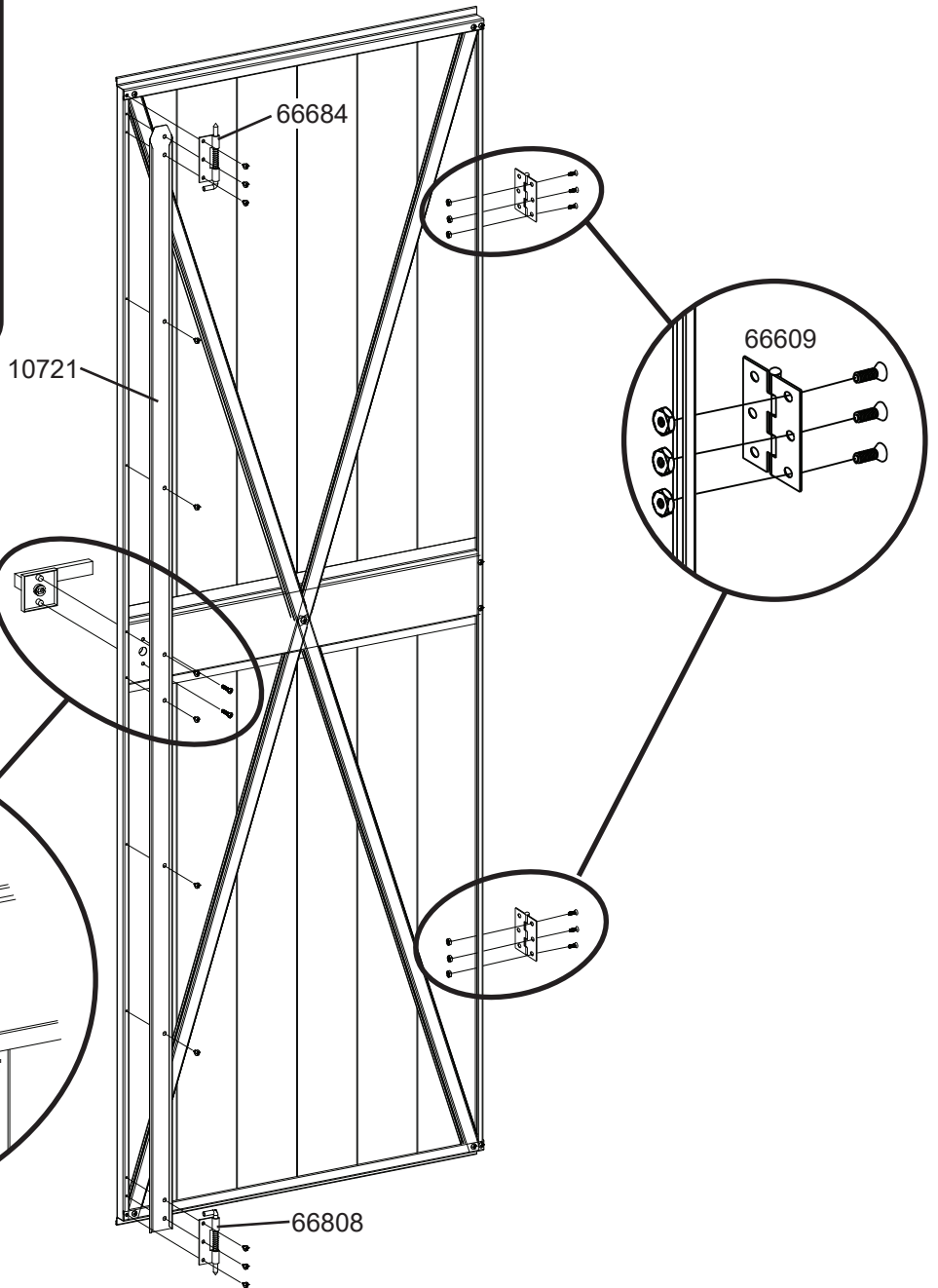


E - NOT REQUIRED **30001**

E
(QTY: 2)

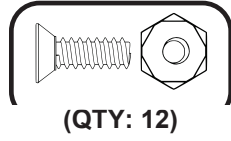
B
Left Handle
Poignée gauche
Manija izquierda

F
(QTY: 2)



Step 6

You will need for this page:

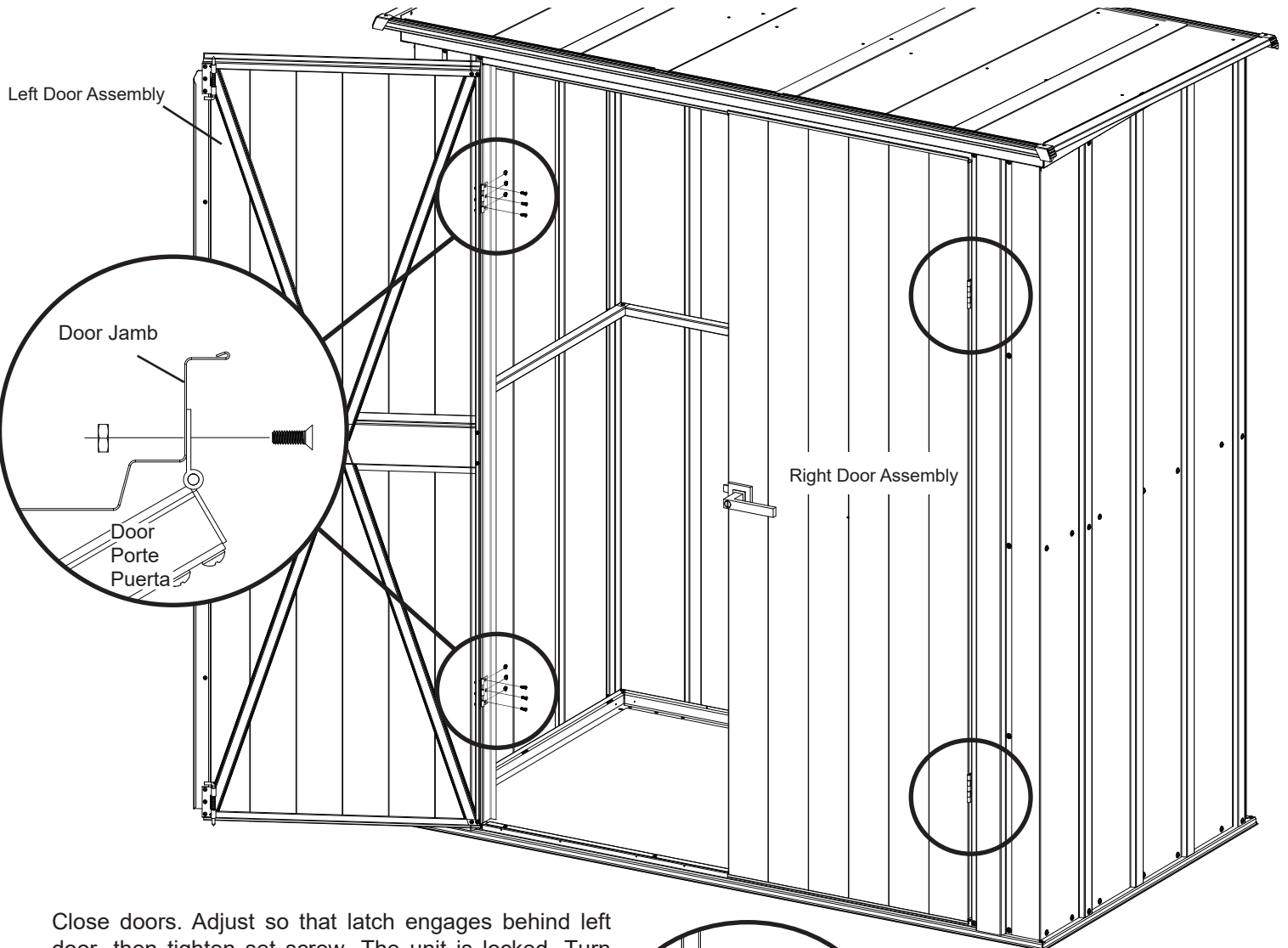


1

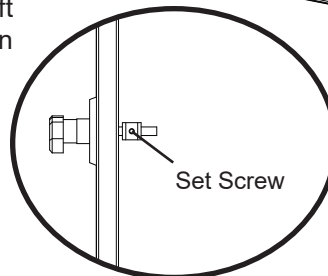
Right Door Assembly

1

Left Door Assembly



Close doors. Adjust so that latch engages behind left door, then tighten set screw. The unit is locked. Turn key and remove.



ANCHORING OPTIONS...

IMPORTANT:

- *If you have swing doors, they must hang and swing level before anchoring building.*
- *Anchor your building at this time. See below for details on anchoring.*
- *Please take a moment to ensure that the building is installed in accordance with these instructions and with all applicable regulations.*

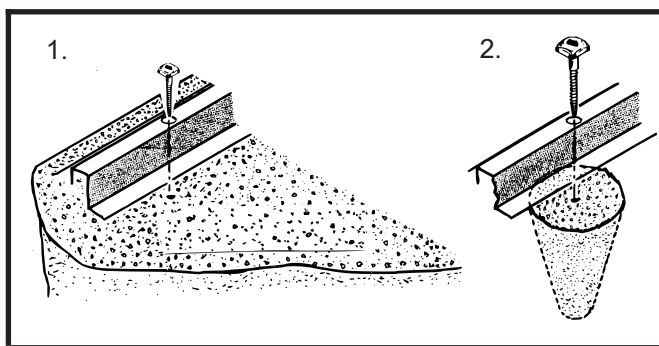
Anchoring Down The Building

The entire floor frame MUST be securely anchored once the building is erected.

Below are recommended ways of anchoring.

Anchoring into Concrete:

1. For poured concrete slab or footing or patio blocks:
Use 1/4" x 2" (6 mm x 51 mm) Lag Screws.
2. For Anchor Post of Concrete poured after building is erected:
Use 1/4" x 6" (6 mm x 152 mm) Lag Screws.



Anchoring into Wood/Post:

Use 1/4" (6 mm) Wood Screws. There are 1/4" (6 mm) dia. holes provided in the frames for proper anchoring.

