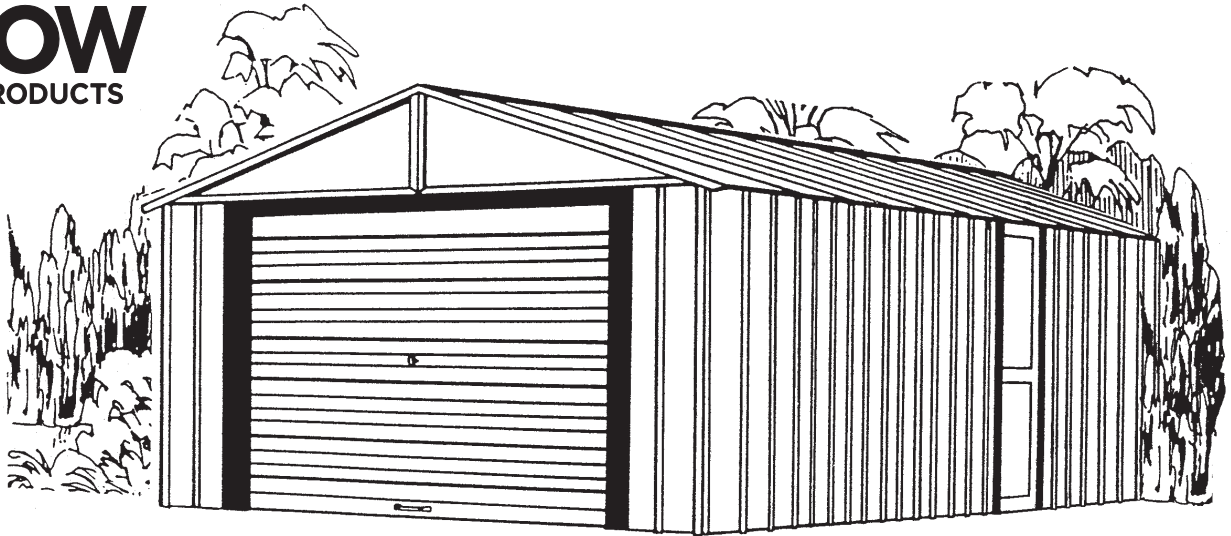


Owner's Manual & Assembly Instructions

BW01b



Model No. **BGR1210FG** **BGR1217FG**
BGR1224FG **BGR1231FG**



726260919

Storage Area:	12'x10'	110 Sq. Ft.	801 Cu. Ft.	(10,2 m ²	22,7 m ³)
	12'x17'	194 Sq. Ft.	1419 Cu. Ft.	(18,0 m ²	40,2 m ³)
	12'x24'	278 Sq. Ft.	2037 Cu. Ft.	(25,8 m ²	57,7 m ³)
	12'x31'	362 Sq. Ft.	2655 Cu. Ft.	(33,6 m ²	75,2 m ³)



CAUTION: SOME PARTS HAVE SHARP EDGES. CARE MUST BE TAKEN WHEN HANDLING THE VARIOUS PIECES TO AVOID A MISHAP. FOR SAFETY SAKE, PLEASE READ SAFETY INFORMATION PROVIDED IN THIS MANUAL BEFORE BEGINNING CONSTRUCTION. WEAR GLOVES WHEN HANDLING METAL PARTS.

BUILDING DIMENSIONS

* Size rounded off to the nearest foot

*Approx. Size	Base Size	Exterior Dimensions (Roof Edge to Roof Edge)			Interior Dimensions (Wall to Wall)		
		Width	Depth	Height	Width	Depth	Height
12' x 10'	141 1/8" x 111 3/4"	146 1/8"	117"	103 1/4"	141 1/8"	111 3/4"	102"
12' x 17'	141 1/8" x 198"	146 1/8"	203 1/4"	103 1/4"	141 1/8"	198"	102"
12' x 24'	141 1/8" x 284 1/4"	146 1/8"	289 1/2"	103 1/4"	141 1/8"	284 1/4"	102"
12' x 31'	141 1/8" x 370 1/2"	146 1/8"	375 3/4"	103 1/4"	141 1/8"	370 1/2"	102"
3,7 m x 3,0 m	358,5 cm x 283,8 cm	371,2 cm	297,2 cm	262,3 cm	358,5 cm	283,8 cm	259,1 cm
3,7 m x 5,2 m	358,5 cm x 502,9 cm	371,2 cm	516,3 cm	262,3 cm	358,5 cm	502,9 cm	259,1 cm
3,7 m x 7,3 m	358,5 cm x 722,0 cm	371,2 cm	735,3 cm	262,3 cm	358,5 cm	722,0 cm	259,1 cm
3,7 m x 9,4 m	358,5 cm x 941,1 cm	371,2 cm	954,4 cm	262,3 cm	358,5 cm	941,1 cm	259,1 cm

BEFORE YOU BEGIN...

BW02

Owner's Manual

Before beginning construction, check local building codes regarding footings, location and other requirements. Study and understand this owner's manual.

Important information and helpful tips will make your construction easier and more enjoyable.

Assembly Instructions: Instructions are supplied in this manual and contain all appropriate information for your building model. Review all instructions before you begin, and during assembly, follow the step sequence carefully for successful results.

Flooring and Anchoring: Your storage building must be anchored to prevent wind damage. A base is necessary to construct a square and level building. Anchoring and base materials are not included with your building. We recommend the use of an Arrow Anchoring Kit as an effective method of securing your building to the ground (Available by mail order or at your local dealer) or you may construct a base and anchoring system of your choice. Your assembly instructions provide information on a few methods commonly used to secure and level a storage building.

Parts and Parts List: Check to be sure that you have all the necessary parts for your building.

- All part numbers can be found on the parts. All of these numbers (before the -) must agree with the numbers on the parts list.
- Separate contents of the carton by the part number while reviewing parts list. The first few steps show how to join related parts to make larger sub assemblies which will be used later.
- Familiarize yourself with the hardware and fasteners for easier use during construction. These are packaged within the carton. Note that extra fasteners have been supplied for your convenience.

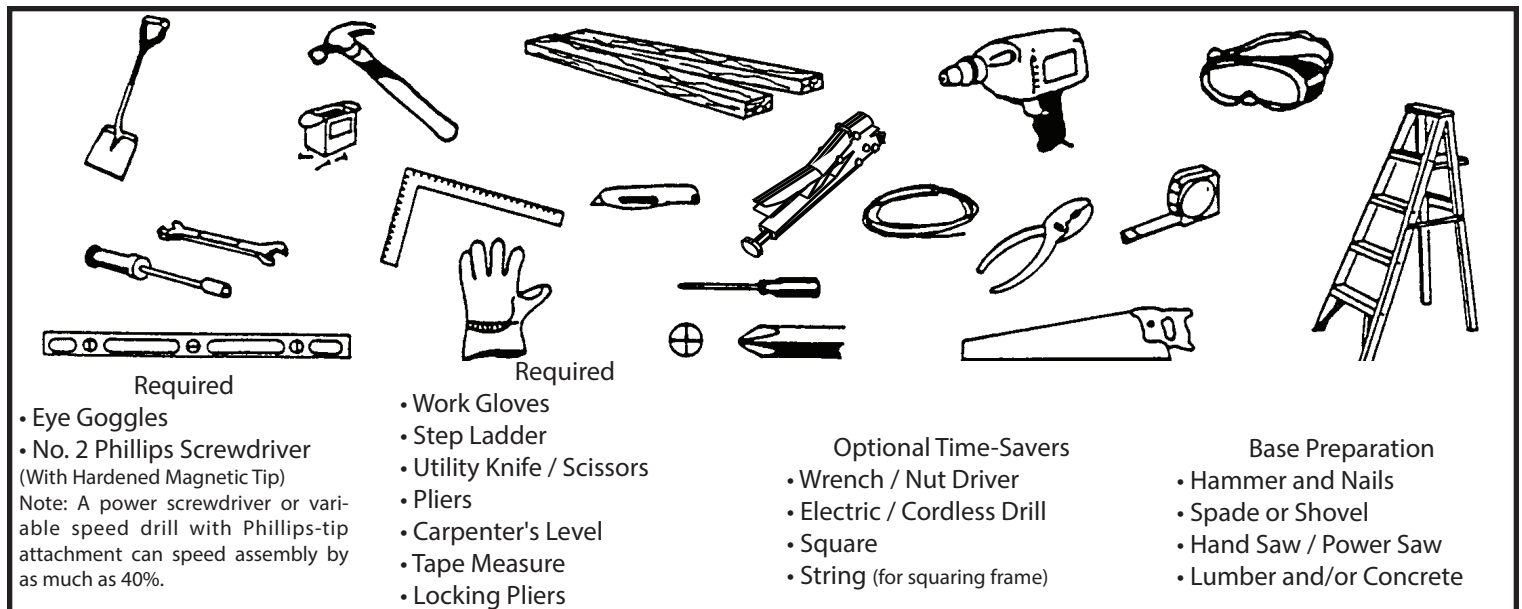
PLAN AHEAD....

BW04

Watch the Weather: Be sure the day you select to install your building is dry and calm. Do not attempt to assemble your building on a windy day. Be careful on wet or muddy ground.

Teamwork: Whenever possible, two or more people should work together to assemble your building. One person can position parts or panels while the other is able to handle the fasteners and the tools.

Tools and Materials: These are some basic tools and materials you will need for the construction of your building. Decide which method of anchoring and the type of base you wish to use in order to form a complete list of the materials you will need.



Selecting and Preparing Your Site: Before assembly, you will want to decide on a location for your building. The best location is a level area with good drainage.

- Allow enough working space for ease of moving parts into position during assembly. Be sure there will be enough space at entrance for doors to open fully and enough space around the building to be able to fasten the panel screws from the outside.

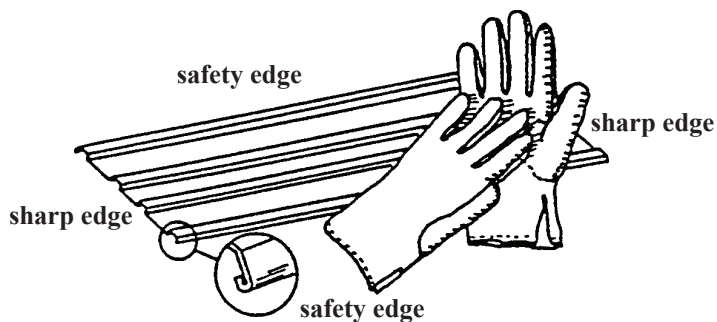
- Before you begin the first steps in assembling your parts, a base should be constructed and an anchoring system should be ready to use.

SAFETY FIRST...

A05

Safety precautions are important to follow throughout the construction of your building.

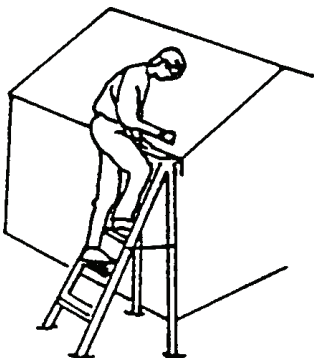
•Care must be taken when handling various pieces of your building since some contain sharp edges. Please wear work gloves, eye protection and long sleeves when assembling or performing any maintenance on your building.



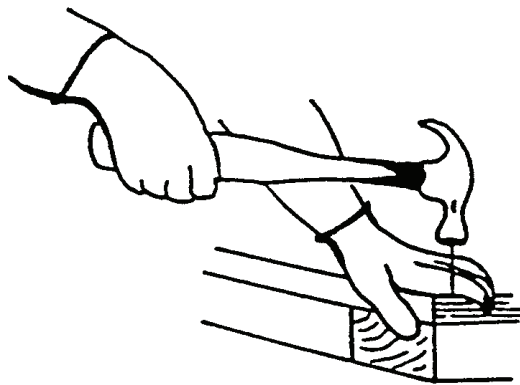
•Keep children and pets away from worksite to avoid distractions and any accidents which may occur.



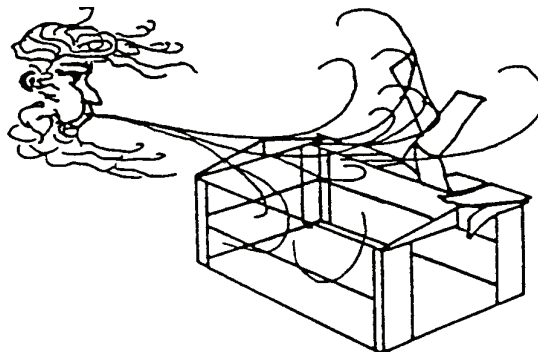
•Never concentrate your total weight on the roof of the building. When using a step ladder make sure that it is fully open and on even ground before climbing on it.



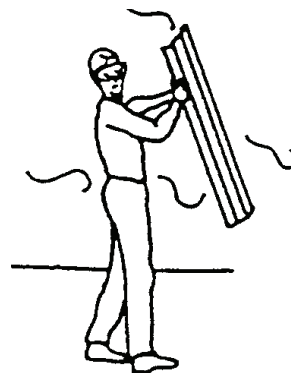
•Practice caution with the tools being used in the assembly of this building. Be familiar with the operation of all power tools.



•Do not attempt to assemble the building if parts are missing because any building left partially assembled may be seriously damaged by light winds. Call 1-800-851-1085 or assist@arrowsheds.com



•Do not attempt to assemble the building on a windy day, because the large panels acting as a "sail", can be whipped about by the wind making construction difficult and unsafe.



CARE & MAINTENANCE....

BW05

Finish: For long lasting finish, periodically clean and wax the exterior surface. Touch-up scratches as soon as you notice them on your unit. Immediately clean the area with a wire brush; wash it and apply touch-up paint per manufacturer's recommendation.

Roof: Keep roof clear of leaves and snow with long handled, soft-bristled broom. Heavy amounts of snow on roof can damage building making it unsafe to enter.

Doors: Always keep the door tracks clear of dirt and other debris that prevent them from sliding easily. Lubricate door track annually with furniture polish or silicone spray. Keep doors closed and locked to prevent wind damage.

Fasteners: Use all washers supplied to protect against weather infiltration and to protect the metal from being scratched by screws. Regularly check your building for loose screws, bolts, nuts, etc. and retighten them as necessary.

Moisture: A plastic sheet (vapor barrier) placed under the entire floor area with good ventilation will reduce condensation.

Other Tips....

- Wash off inked part numbers on coated panels with soap and water.
- Silicone caulking may be used for watertight seals throughout the building.

Do not store swimming pool chemicals in your building. Combustibles and corrosives must be stored in air tight approved containers.

Keep this Owner's Manual and Assembly Instructions for future reference.

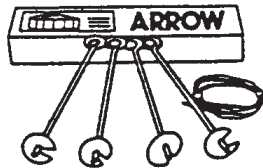
ACCESSORIES...

BW06 Web

ANCHOR KITS

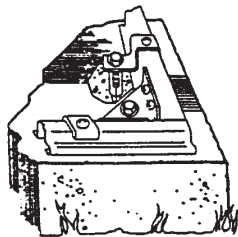
Model No. AK4

Anchor Kit contains heavy-duty steel augers, 60' (18 m) of steel cable and 4 cableclamps. No digging or concrete pouring, just insert cable under roof, over roof beams, into augers and twist augers into the ground. For buildings larger than 10'x9' (3,0 m x 2,6 m), use 2 kits.



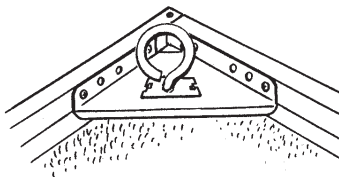
Model No. AK100

New concrete anchor system permits anchoring any size Arrow building directly to a concrete slab. Each kit contains heavy-duty, hot-dipped galvanized steel corner gussets and perimeter clips which fit over the floor frame and lag bolt into a concrete slab. Full assembly instructions and a 1/4" masonry drill bit are included.



Model No. AK600

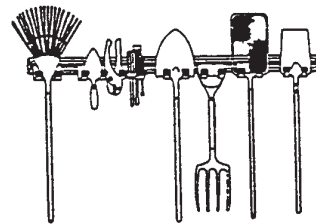
Earth Anchor Kit anchors any size Arrow building to the ground. Each kit contains heavy duty, hot-dipped galvanized steel corner gussets and 4 earth anchors.



TOOL HANGING RACK

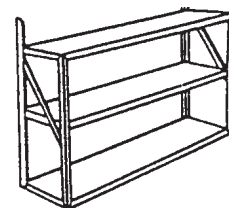
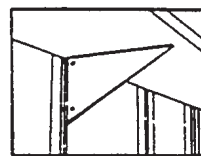
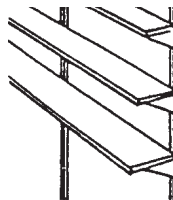
Model No. TH100

The perfect tool organizer. Twin 25 1/2" (64,8 cm) steel channels plus five heavy-duty snap-in hangers and a small tool holder for screwdrivers, pliers, etc. Holders slide along channel for fully adjustable spacing. Great for garage, basement, or the back of any door. Fits all Arrow storage buildings.



SHELF UNITS

Heavy-duty, galvanized steel shelf units help organize storage space. They easily mount on the wall or sit on the floor. Fits all Arrow buildings.*



Model No. SS404

- Makes 8" to 12" (20,3-30,5 cm) wide shelves in any length.
- Brackets, braces, hardware included. Lumber is not included.

Model No. SS900-A

- Grey color
- 3 shelves
- Holds up to 85 lbs. (38 kg) (even weight distribution)

* Some drilling required to fit buildings without mid-wall bracing.

Base

The Base For Your Building

Concrete Slab

The slab should be at least 4" (10,2 cm) thick. It must be level and flat to provide good support for the frame.

The following are the recommended materials for your base.

☒ 2 x 4's (38 mm x 89 mm) (will be removed once the concrete cures)

☒ Concrete ☒ Sheet of 6 mil plastic

☒ We recommend for a proper strength concrete to use a mix of:

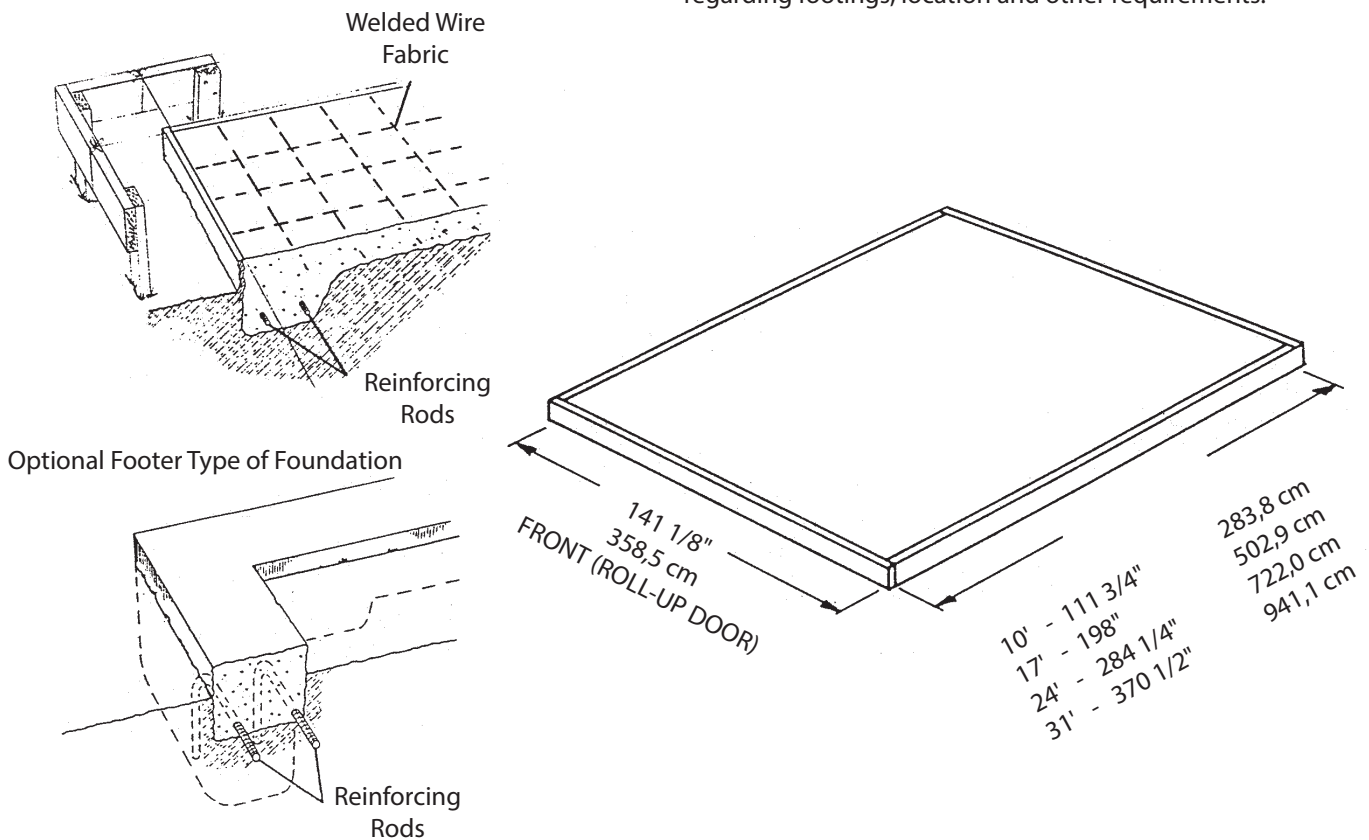
1 part cement ☒ 3 parts pea sized gravel ☒ 2 1/2 parts clean sand

Prepare the Site/Construct a Base

1. Dig a square, 6" (15,2 cm) deep into the ground (remove grass).
2. Fill up to 4" (10,2 cm) in the square with gravel and tamp firm.
3. Cover gravel with a sheet of 6 mil plastic.
4. Construct a wood frame using four planks of 2x4 (38 mm x 89 mm) lumber.
5. Pour in concrete to fill in the hole and the frame giving a total of 4" (10,2 cm) thick concrete. Be sure surface is level.

Allow 3 - 5 hours for construction and a week for concrete curing time.

Note: Before beginning construction, check local building codes regarding footings, location and other requirements.



Note: Finished Slab dimensions, with lumber removed.

Anchoring

BX10

Anchoring Down The Building

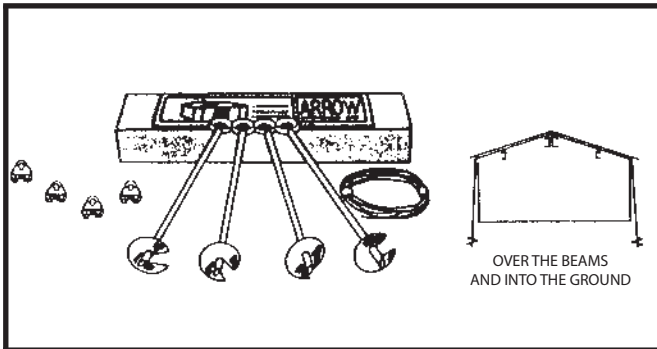
It is important that the entire floor frame be anchored after the building is erected.

Below are recommended ways of anchoring.

Arrow Anchoring Kit: (Model No. AK4 or 60298)

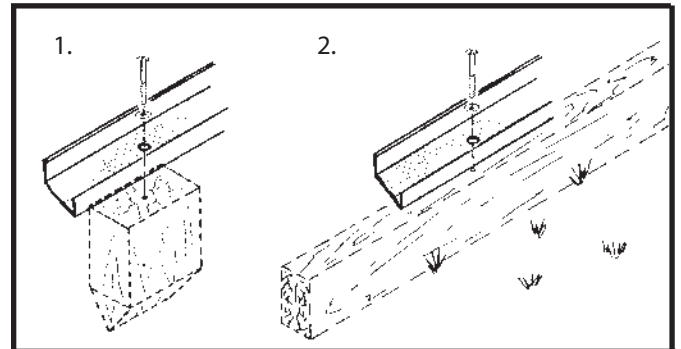
Recommended for use with any suggested base.

Contains: 4 Anchors with Cable, Clamps and installation instruction.



Anchoring into Wood/Post:

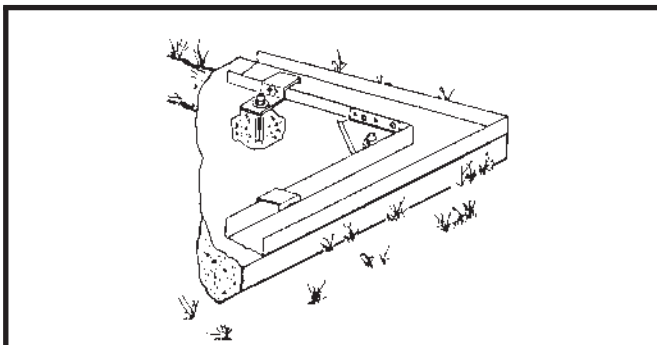
Use 1/4" (6 mm) Wood Screws. There are 1/4" (6 mm) dia. holes provided in the frames for proper anchoring.



Arrow Anchoring Kit: (Model No. AK100 or 68383)

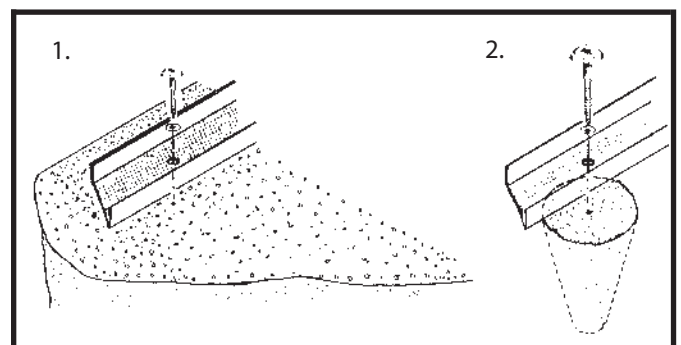
Recommended for use with the concrete base.

Contains: Corner gussets, perimeter clips, hardware, 1/4" masonry drill bit and installation instruction.



Anchoring into Concrete:

1. For poured concrete slab or footing or patio blocks: Use 1/4" x 2" (6 mm x 51 mm) Lag Screws.
2. For Anchor Post of Concrete poured after building is erected: Use 1/4" x 6" (6 mm x 152 mm) Lag Screws.



Hardware for Building

BW11a



65004
#8x5/16" (8 mm) Screw (403)
(190) (Carton 4)



65101
1/4-20 Square Nut (12)
(Packed with Screws)



65106
#10-32 Square Nut (200)
(184) (Carton 4)



65943
#10-32x7/16" (11 mm) Bolt (194)
(184) (Carton 4)



65989
1/4-20x1 1/2" (13 mm) Hex
Head Bolt (8)
(Packed with Screws)



65408
#10-32x1/4" (6 mm)
Bolts (4)



65900A
#10Bx1/2" (13 mm) Black
Screw (4)
(Packed with Screws)

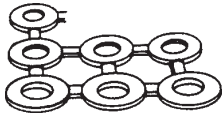


65914
#6x7/8" (22 mm) Screw (5)
(Packed with Screws)

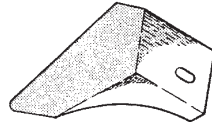


66610 (No Slot)
#10-32x7/16" (11 mm)
Bolt (2)

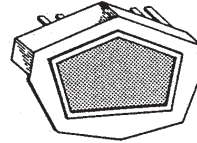
Remove from bag of screws
and save for Step 28



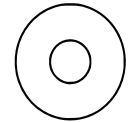
66646
Washer (600)
(320) (Carton 4)



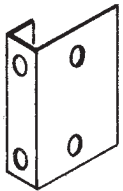
66444
Roof Trim Cap
(2 right & 2 left)



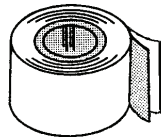
66446 (Arrow Logo)
Peak Cap (2)



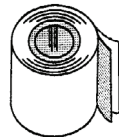
65020
1" Washer (8)



7972
Door Handle
Lock Bracket (1)



67545
Weather Stripping (1)



67293
Weather Stripping (1)
(Carton 4)



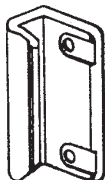
66265
Edge Trim (4)
(Carton 4)



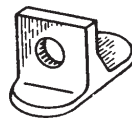
66098
Plastic Spacer (5)



66769
Door Slide (2)



66260
Handle (2)



66382
Lower Door Guide (2)



66464 (2)
1/4-20x1 1/2" (38 mm)
Hex Head Bolt



67488 (2)
3/16 x 1 5/16" (33 mm)
Heavy "S" Hook

Parts List

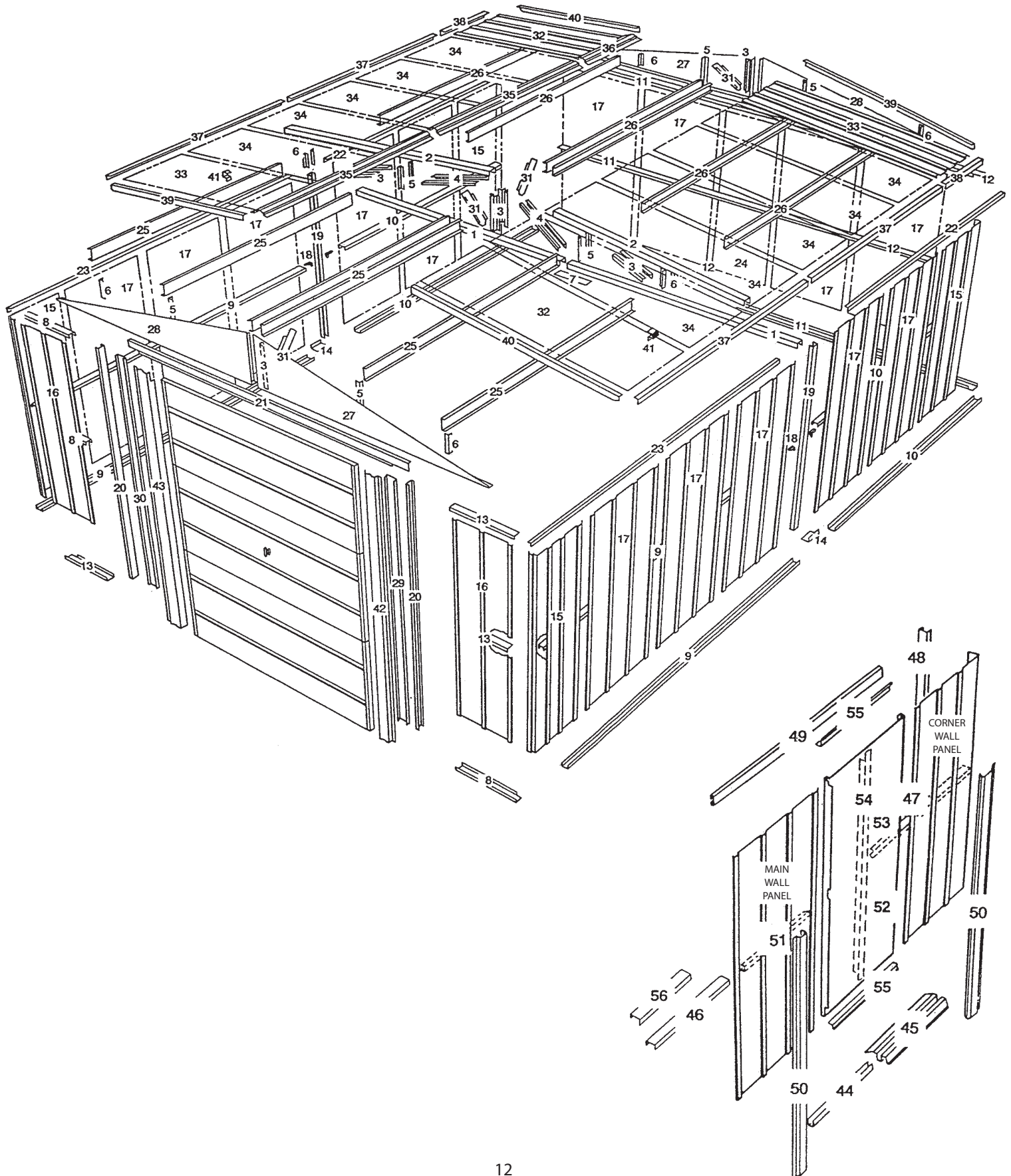
BW12

Carton #4 of the 12' x17' (3,6 m x 5,0 m) can be deleted for a complete 12' x10' (3,6 m x 2,8 m) building, or more than one carton #4 may be used to extend depth in multiples of 7' (2,2 m).





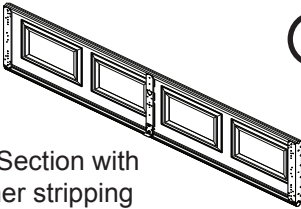
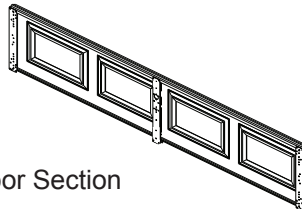
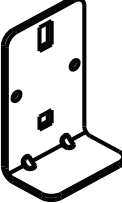
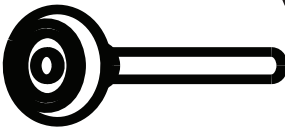
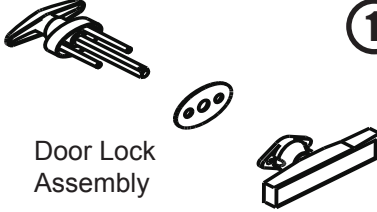
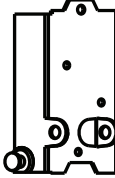
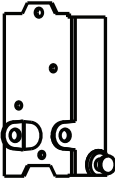
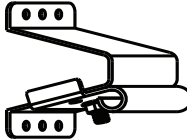
Assembly Part Key No.	Part Number	Description	Carton 1	Carton 2	Carton 3 CHI Door	Carton 4
	1	7855	Truss Lower Chord			2
	2	7856	Truss Upper Chord			2
	3	6382	Center Gable Brace		2	8
	4	7739	Truss Diagonal			4
	5	6381	Mid Gable Brace		4	4
	6	6380	Outer Gable Brace		4	4
	7	7738	Splice Plate			1
	8	7834	Right Front Frame		3	
	9	7837	Side Frame		4	
	10	7914	Side Frame			4
	11	8532	Right Rear Frame		3	
	12	8531	Left Rear Frame		3	
	13	7835	Left Front Frame		3	
	14	7857	Truss Support			2
	15	7824	Corner Wall Panel	4		
	16	7825	Front Wall Panel	2		
	17	7822	Main Wall Panel	7		6
	18	6228	Frame Support			4
	19	7917	Truss Column			2
	20	7839	Front Column	2		
	21	7831	Lintel		1	
	22	7915	Side Top Angle			2
	23	7838	Side Top Angle		2	
	24	7823	Medium Wall Panel	1		
	25	10462	Roof Beam		6	
	26	7912	Roof Beam			6
	27	7942	Right Gable	2		
	28	7943	Left Gable	2		
	29	10460	Right Track Support	1		
	30	10461	Left Track Support	1		
	31	6372	Gable Strut		2	2
	32	7827	Left Roof Panel	2		
	33	7826	Right Roof Panel	2		
	34	7828	Middle Roof Panel	4		6
	35	7843	Ridge Cap		1	1
	36	6874	Ridge Cap		1	
	37	5220	Side Roof Trim		2	
	38	6014	Side Roof Trim		2	2
	39	7845	Left Rake		2	
	40	7846	Right Rake		2	
	41	7913	Spring Support Bracket	2		
	42	7830	Right Door Jamb	1		
	43	7829	Left Door Jamb	1		
	44	7517	Lower Door Track	1		
	45	7560	Ramp	1		
	46	7950	Side Wall Channel	1		
	47	7949	Side Wall Channel	1		
	48	7951	Support Column	1		
	49	7958	Door Track	1		
	50	7946	Door Jamb	2		
	51	7948	Door Wall Brace	1		
	52	10474	Door	1		
	53	3719	Door Handle Brace	1		
	54	7947	Vertical Door Brace	1		
	55	10497	Horizontal Door Brace	2		
	56	8530	Splice Channel	1		

Assembly by Key No.

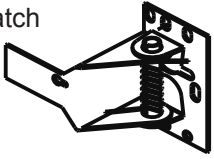

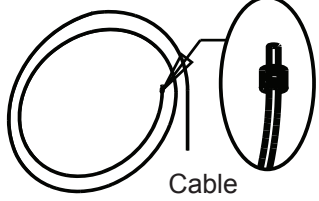


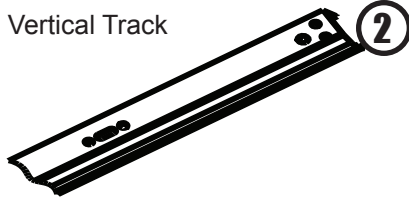
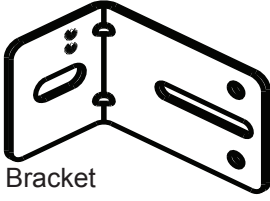

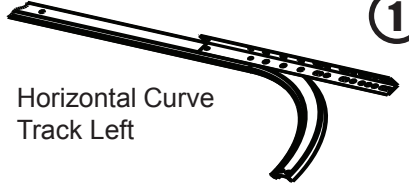
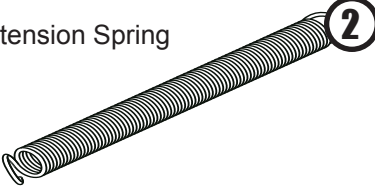
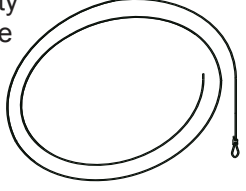
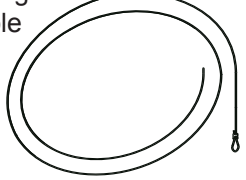

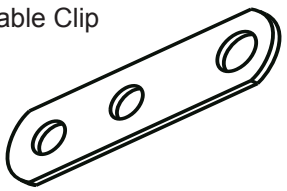

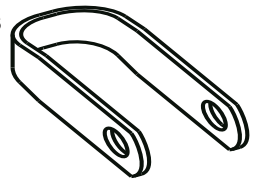
BW13



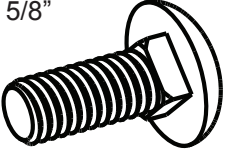
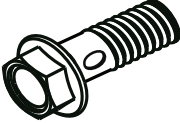
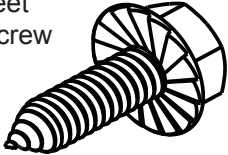
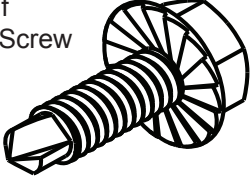
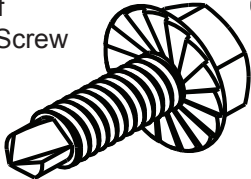

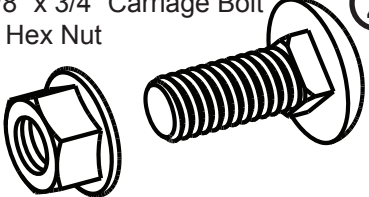
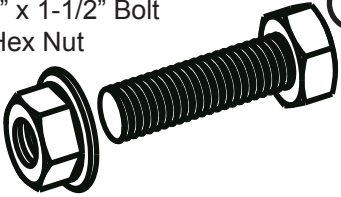
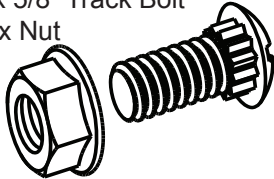
Components for Door

<p>#1 End Hinge</p>  <p>②</p>	<p>#2 End Hinge</p>  <p>②</p>	<p>#3 End Hinge</p>  <p>②</p>
<p>#1 Center Hinge</p>  <p>③</p>	<p>Door Section with weather stripping</p>  <p>①</p>	<p>Door Section</p>  <p>③</p>
<p>Inside Step Plate</p>  <p>①</p>	<p>Roller</p>  <p>⑩</p>	<p>Door Lock Assembly</p>  <p>①</p>
<p>Bottom Fixture Left</p>  <p>①</p>	<p>Bottom Fixture Right</p>  <p>①</p>	<p>Top Fixture</p>  <p>②</p>

Components for Door

<p>Snap Latch ②</p> 	<p>Snap Latch Keeper ②</p> 	<p>①</p>  <p>Cable</p>
<p>Flag Angle Right ①</p> 	<p>Flag Angle Left ①</p> 	<p>Vertical Track ②</p> 
<p>Track Bracket ④</p> 	<p>Horizontal Curve Track Right ①</p> 	<p>Horizontal Curve Track Left ①</p> 
<p>Extension Spring ②</p> 	<p>Safety Cable ②</p> 	<p>Spring Cable ②</p> 
<p>S Hook ②</p> 	<p>Cable Clip ②</p> 	<p>Pulley ④</p> 
<p>Clevis ②</p> 		

Hardware for Door

<p>10-24 x 5/8" Bolt</p>  <p>②</p>	<p>Hex Bolt with Hole</p>  <p>①</p>	<p>1/4" Sheet Metal Screw</p>  <p>④②</p>
<p>1/4" Self Drilling Screw</p>  <p>④</p>	<p>1/4" Self Drilling Screw Red</p>  <p>⑧</p>	<p>1/4" Wiz Nut</p>  <p>①</p>
<p>3/8" x 3/4" Carriage Bolt & Hex Nut</p>  <p>②</p>	<p>3/8" x 1-1/2" Bolt & Hex Nut</p>  <p>④</p>	<p>1/4" x 5/8" Track Bolt & Hex Nut</p>  <p>①④</p>

Step 1

BW14

☒ Parts Needed For ☒ Truss Assembly 12x17, 12x24 & 12x31 (3,7 m x 5,2 m / 3,7 m x 7,3 m / 3,7 m x 9,4 m) ONLY

- ☒ 7855 Truss Lower Chord (2)
- ☒ 7856 Truss Upper Chord (2)
- ☒ 6382 Center Gable Brace (8)
- ☒ 7739 Truss Diagonal (4)
- ☒ 6381 Mid Gable Brace (4)
- ☒ 6380 Outer Gable Brace (4)
- ☒ 7738 Splice Plate (1)

- 1 Assemble 1/2 truss at a time, using #10-32x7/16" (11 mm) bolts and square nuts, on all connections loosely.
- 2 Attach truss lower chord to truss upper chord.
- 3 Attach 2 center gable braces to the upper and lower chords at the opposite end of truss.
- 4 Attach 2 truss diagonals to upper and lower chords.
- 5 Attach 2 mid gable braces to upper and lower chords.
- 6 Attach 2 center gable braces to upper and lower chords at middle of truss.
- 7 Attach 2 outer gable braces to upper and lower chords. Mount with short leg of brace.

8 Square up 1/2 truss, adjust and tighten.

9 Make other half and square.

10 Splice both halves together with splice plate and fasten center gable braces together, using 3 bolts and nuts.

11 Cut the 4 pieces of edge trim in half and slip over the bottom edges of gable braces. This trim is a must to protect against injury from the sharp edge.

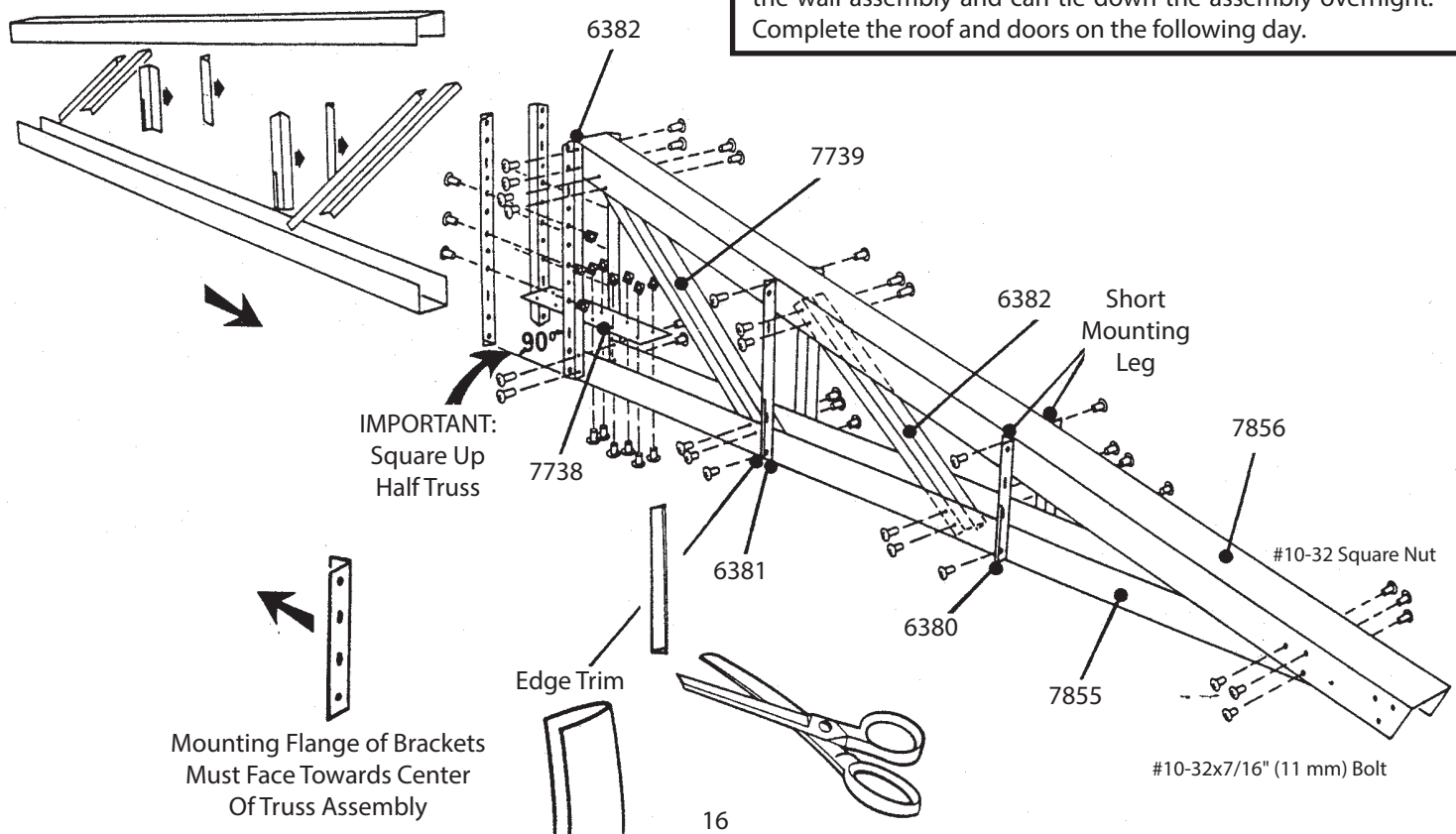
Make 1 assembly for the 12x17 (3,7 m x 5,2 m)

Make 2 assemblies for the 12x24 (3,7 m x 7,3 m)

Make 3 assemblies for the 12x31 (3,7 m x 9,4 m)

NOTE

The day before construction of the building, complete the sub-assemblies so they will be ready. EXAMPLE: Truss, floor frames, roof beams, gables, side and overhead doors. Set the assemblies aside, so they will not get damaged. The remainder of the building assembly requires more than 1 work session and more than 1 person. Do not continue beyond this point if you do not have enough time to complete the wall assembly and can tie down the assembly overnight. Complete the roof and doors on the following day.



Step 2

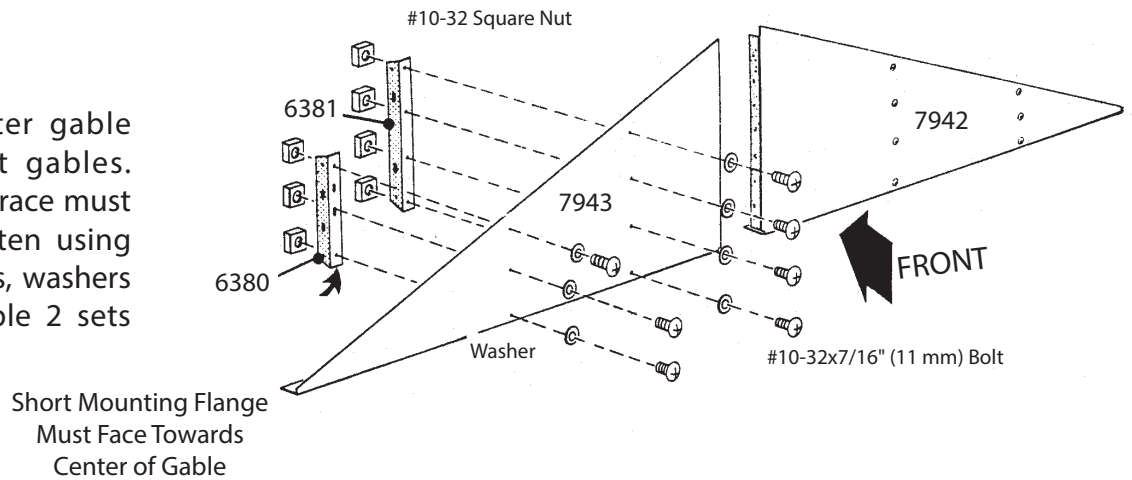
BW15

Parts Needed For Gables All Sizes

- ☒ 6381 Mid Gable Brace (4)
- ☒ 6380 Outer Gable Brace (4)
- ☒ 7942 Right Gable (2)
- ☒ 7943 Left Gable (2)

The gables go on top of the front and rear walls to support the roof beams. The gables are packed nested together and might be mistaken as 1 piece. Carefully separate them before continuing.

1 Position mid and outer gable braces on right and left gables. Short mounting flange of brace must face center of gable. Fasten using #10-32x7/16" (11 mm) bolts, washers and square nuts. Assemble 2 sets of gables.



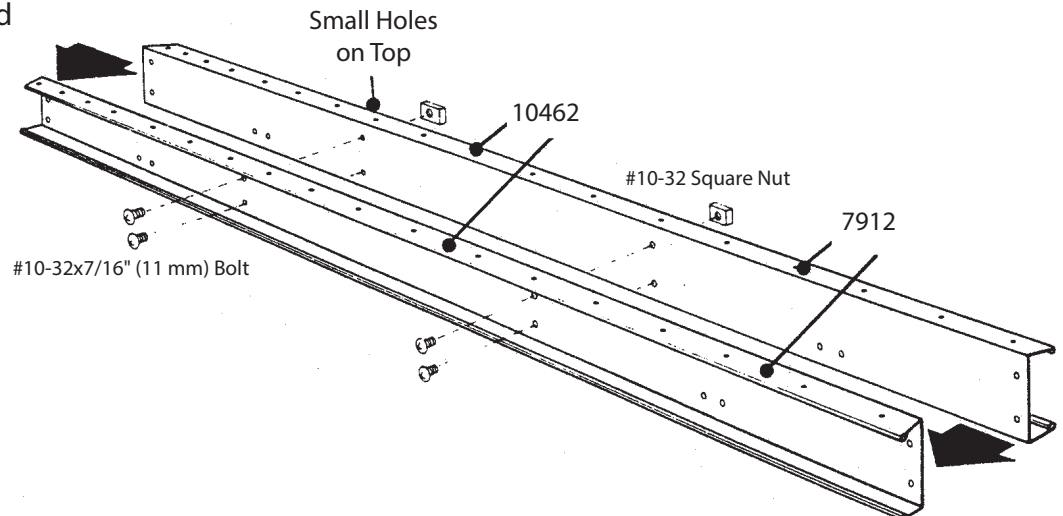
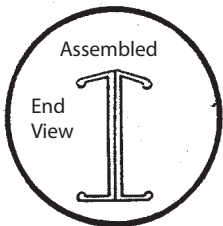
Step 3

Parts Needed For Roof Beam Assemblies

- ☒ 10462 Roof Beam (2) (All Sizes)
- ☒ 7912 Roof Beam
 - (2) 12x17 (3,7 m x 5,2 m)
 - (4) 12x24 (3,7 m x 7,3 m)
 - (6) 12x31 (3,7 m x 9,4 m)

The roof beams join the gables to the truss and supports the roof panels.

1 Align the holes on 2 roof beams, back-to-back and fasten using 4 #10-32x7/16" (11 mm) bolts and square nuts.



Step 4

BW16

Parts Needed For Floor Frame Assembly 12x10 (3,7 m x 3,0 m)

- ☒ 8532 Right Rear Frame (1)
- ☒ 8531 Left Rear Frame (1)
- ☒ 7837 Side Frame (2)
- ☒ 7834 Right Front Frame (1)
- ☒ 7835 Left Front Frame (1)
- ☒ 7517 Lower Door Track (1)
- ☒ 7560 Ramp (1)

The rear floor frame is made up of 2 pieces. The holes in these pieces will align when the pieces are positioned with correct amount of overlap. The illustration below shows the proper overall length for the rear.

1 Overlap right and left rear frames, align holes, and fasten using 8 bolts and nuts. Make 3 assemblies. Use 1 assembly for this step.

2 Position floor frames as shown and fasten at each corner using 2 bolts through the bottom and nuts on top.

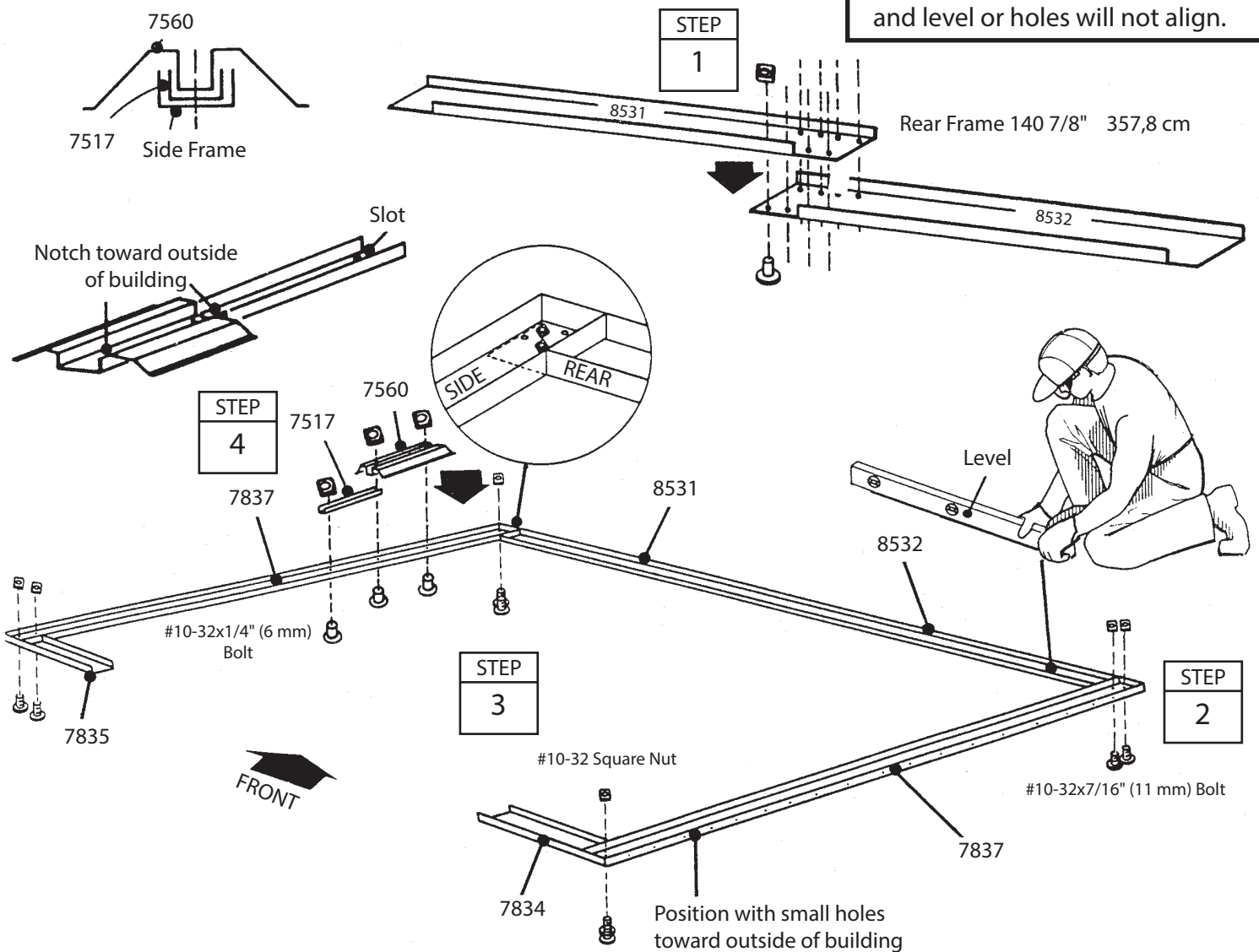
3 Measure the floor frame diagonally. When the diagonal measurements are equal, the floor frame is square.

4 Select location of side door on either side, toward the rear of building. Install lower door track and ramp, notch toward outside, using 1/4" (6 mm) bolts and nuts, as shown. See Step 12 for Rear Door Installation.

NOTE

Do not fasten the floor frames to your foundation at this time. You will anchor the building after it is erected.

The floor frame must be square and level or holes will not align.



Step 5

BW17

Parts Needed For Floor Frame Assembly 12x17, 12x24 & 12x31

(3,7 m x 5,2 m / 3,7 m x 7,3 m / 3,7 m x 9,4 m)

☒ 8532 Right Rear Frame (1)
☒ 8531 Left Rear Frame (1)
☒ 7914 Side Frame (see below)
☒ 7857 Truss Support (see below)

☒ 7837 Side Frame (2)
☒ 7834 Right Front Frame (1)
☒ 7835 Left Front Frame (1)
☒ 7517 Lower Door Track (1)
☒ 7560 Ramp (1)

The rear floor frame is made up of 2 pieces. The holes in these pieces will align when the pieces are positioned with correct amount of overlap. The illustration below shows the proper overall length for the rear.

1 Overlap right and left rear frames, align holes, and fasten using 8 bolts and nuts. Make 3 assemblies. Use 1 assembly for this step.

2 Position floor frames as shown and fasten at each corner using 2 bolts through the bottom and nuts on top. When installing side frame 7914, be sure set of holes 1" (2,5 cm) in from end of frames are installed toward rear of building.

3 Fasten side frames together with a truss support using 4 bolts through the bottom and nuts on top.

NOTE

Position of holes, and fasten at the 1st set of holes. See side connection.

4 Measure the floor frame diagonally. When the measurements are equal, the floor frame is square.

5 Select location of side door on either side, toward the rear of building. Install lower door track and ramp, notch toward outside, using 1/4" (6 mm) bolts and nuts. See Step 12 for Rear Door Installation.

IF YOU ARE BUILDING A 12x24 (3,7 m x 7,3 m)

Fasten additional side frame 7914 and truss support 7857 to side frame 7914 using the side connection. Position rear frame at rear of assembly and fasten using the rear corner connection.

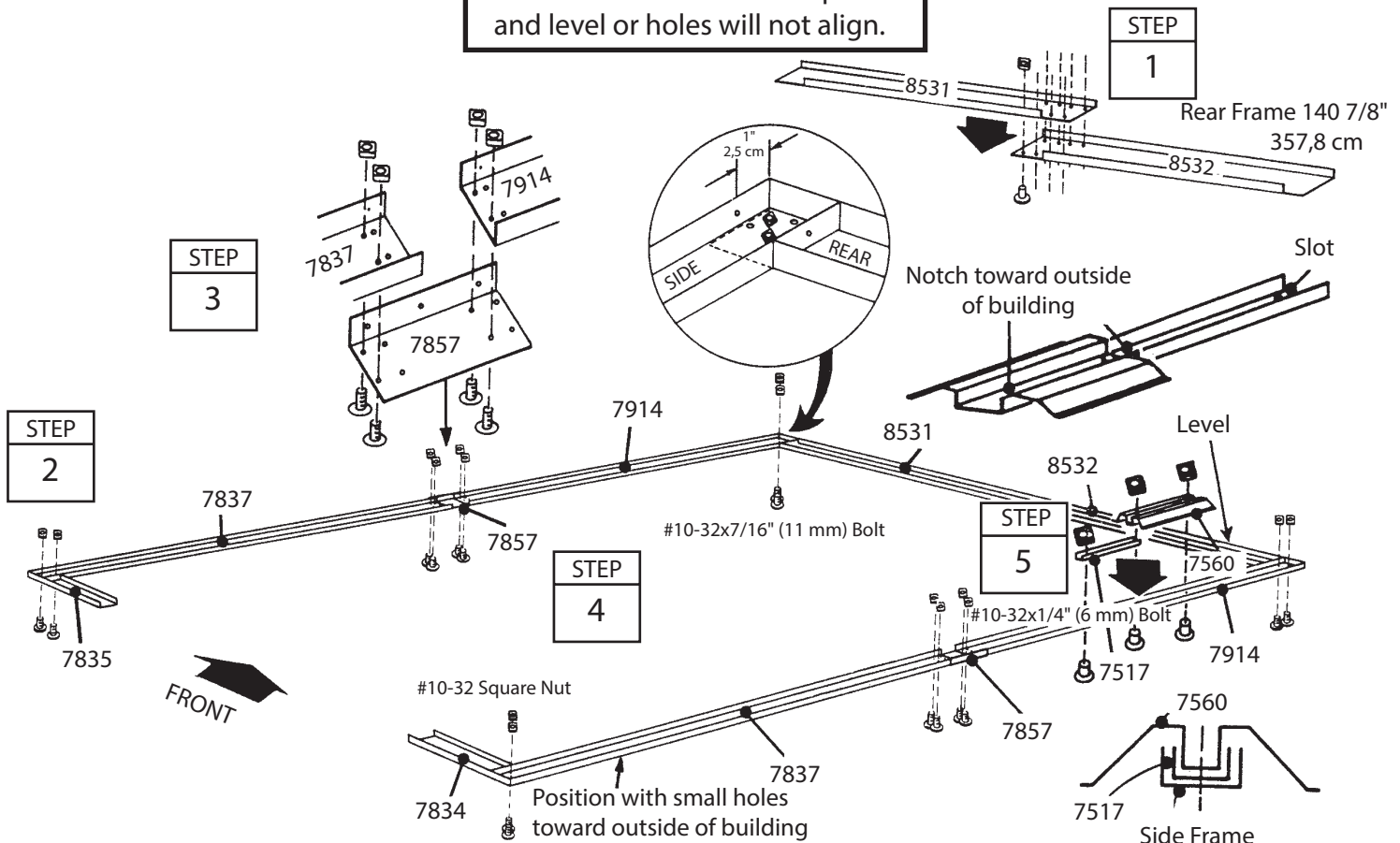
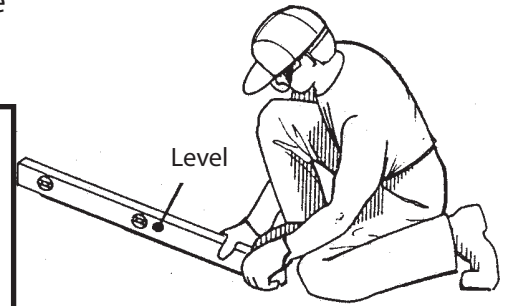
IF YOU ARE BUILDING A 12x31 (3,7 m x 9,4 m)

Fasten 2 additional side frames 7914 and truss supports 7857 to side frame 7914 using the side connection. Position rear frame at rear of assembly and fasten using the rear corner connection.

NOTE

Do not fasten the floor frames to your foundation at this time. You will anchor the building after it is erected.

The floor frame must be square and level or holes will not align.



Step 6

BW18

Parts Needed For Corners All Sizes

- ☒ 7824 Corner Wall Panel (4)
- ☒ 7825 Front Wall Panel (2)
- ☒ 7822 Main Wall Panel (2)

Each screw and bolt in the wall requires a washer.



CORRECT



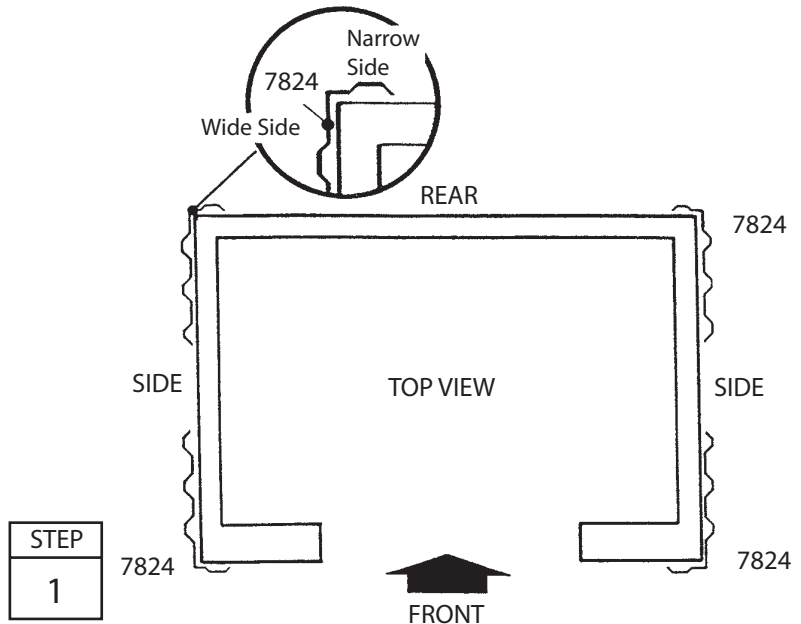
INCORRECT

1 Install a corner wall panel at the corner of the floor frame as shown. The widest part of each corner panel must be placed along the side of the building for all 4 corners. Fasten the corner panel to the floor frame with 4 screws.

Support the corner panel with a step ladder until a wall panel is attached.

2 Attach the front wall panels to the front corner panels, as shown.

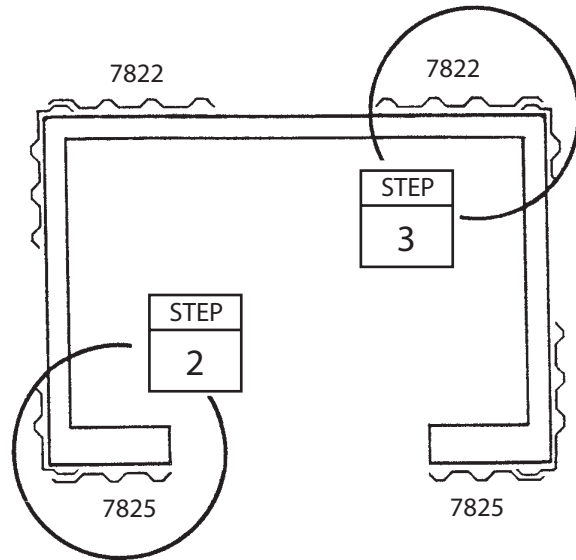
3 Attach the main wall panels to the rear corner panels, as shown.



NOTE
Be careful to install the correct panel in each position as shown.

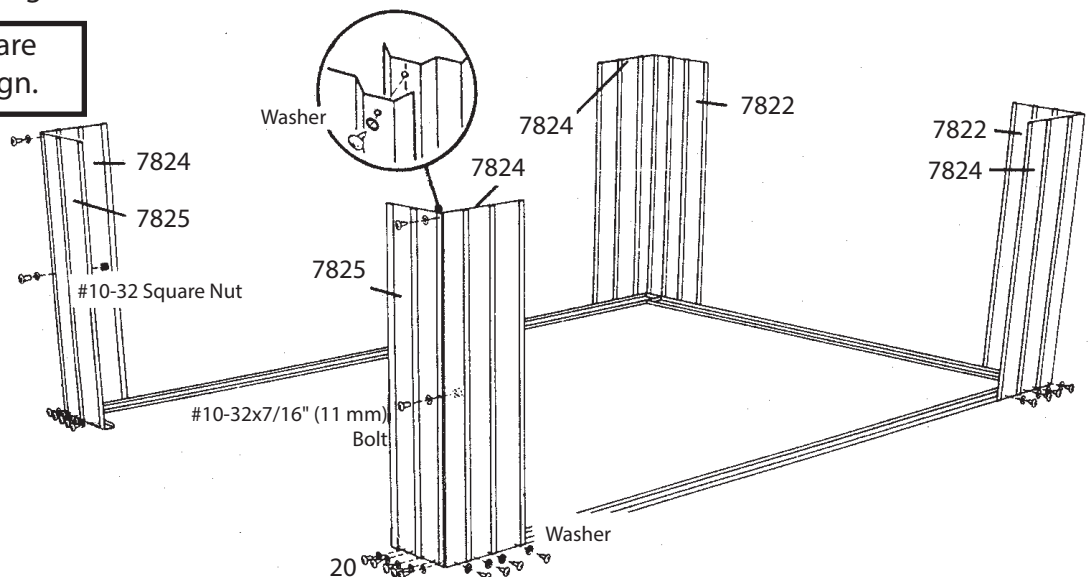
4 Double-check the part numbers of the wall panels, before proceeding.

The floor frame must be square and level or holes will not align.



#8Ax5/16" (8 mm) Screw

STEP
4



Step 7

BW19

Parts Needed For Frames 12x10 (3,7 m x 3,0 m)

- ☒ Rear Frame Assembly (1)
- ☒ 7834 Right Front Frame (1)
- ☒ 7835 Left Front Frame (1)
- ☒ 7837 Side Frame (2)
- ☒ 7950 Side Wall Channel (1)
- ☒ 7949 Side Wall Channel (1)
- ☒ 7951 Support Channel (1)

The mid frame pieces give rigidity to the side and rear wall.

NOTE

Before installing mid frames decide at which location you want the entrance door. Do not install the 1x2 (2,5 x 5,1 cm) mid frame at 1 of 3 locations.

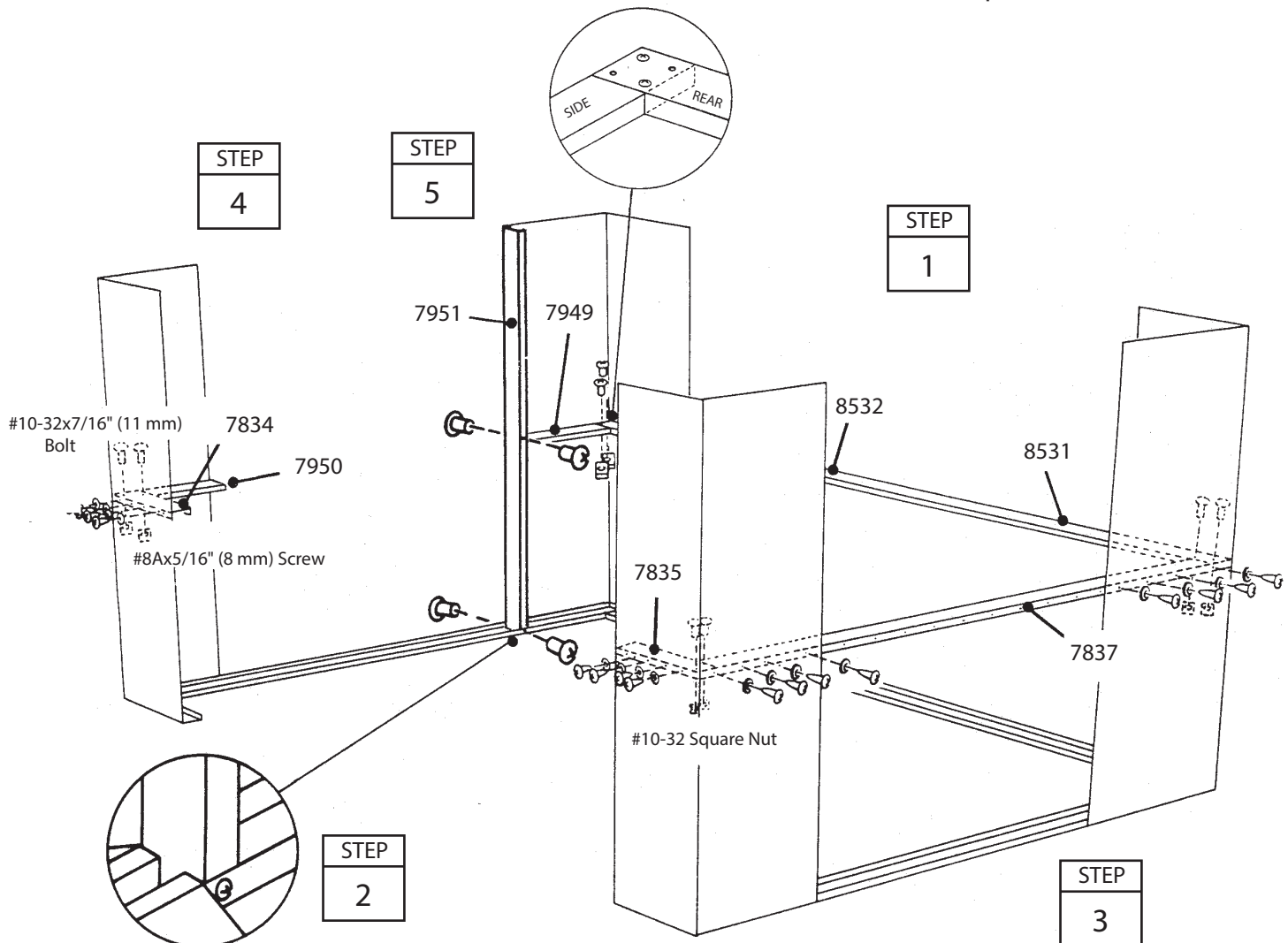
1 Fasten a rear frame assembly to the main wall panels using screws.

2 Fasten a right and left front frame to the front wall panels the same way.

3 Fasten side frame to the corner panels using screws. Where rear frame overlaps side frame in corner, fasten using 2 bolts and nuts.

4 Fasten side wall channels to the corner panels using screws. Fasten overlaps in corners using bolts.

5 Fasten support column to side frame and side wall channel using bolts and nuts where shown. Fold corner panel slightly away from column to fasten bolts from outside. See Step 12 for rear door installation.



Step 8

BW20

☒ Parts Needed For ☒

Frames

12x17, 12x24 & 12x31

(3,6 m x 5,0 m / 3,6 m x 7,2 m / 3,6 m x 9,4 m)

☒ Rear Frame Assembly (1)
 ☒ 7834 Right Front Frame (1)
 ☒ 7835 Left Front Frame (1)
 ☒ 7917 Truss Column (see below)

☒ 7914 Side Frame (see below)
 ☒ 7837 Side Frame (2)
 ☒ 6228 Frame Support (4)
 ☒ 7949 Side Wall Channel (1)
 ☒ 7951 Support Column (1)

The mid frame pieces give rigidity to the side and rear wall.

NOTE

Before installing mid frames decide at which location you want the entrance door. Do not install the 1x2 (2,5 x 5,1 cm) mid frame at 1 of 3 locations.

1 Fasten a rear frame assembly to the main wall panels using screws.

2 Fasten a right and left front frame to the front wall panels the same way.

3 Attach 4 frame supports to the middle of the 2 truss columns using 2 bolts and nuts on each.

4 Fasten side frame 7914 to the rear corner panel using screws. Be sure set of holes 1" (2,5 cm) in from end of frame is installed toward rear of building. Where rear frame overlaps side frame in corner, fasten using 2 bolts and nuts. Fasten opposite end to frame support on truss column, using 2 bolts and nuts in the 1st set of holes. Fasten truss support to truss column at bottom with 1 screw at the 1st hole on column. Support column assembly with step ladder.

IF YOU ARE BUILDING A 12x24

(3,6 m x 7,2 m)

Each side of building will have 2 column assemblies and 2 extra side frames 7914.

IF YOU ARE BUILDING A 12x31

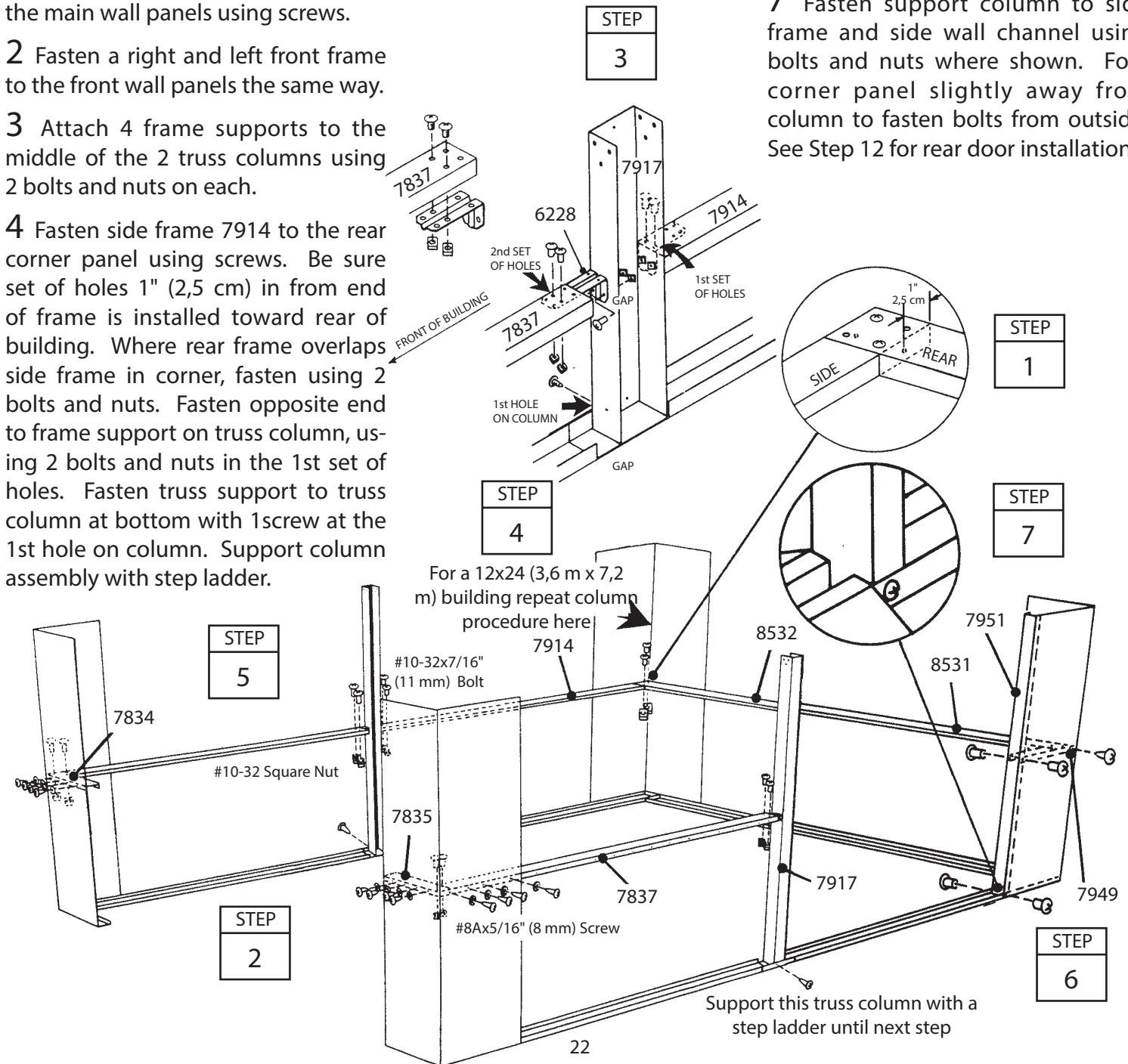
(3,6 m x 9,4 m)

Each side of building will have 3 column assemblies and 4 extra side frames 7914.

5 Fasten side frame 7837 to the front corner panel using screws. Fasten overlap in corner. Fasten opposite end to the frame support on truss column, using 2nd set of holes. This will leave a gap between side frame and truss column.

6 Fasten side wall channel to the rear corner panel using screws.

7 Fasten support column to side frame and side wall channel using bolts and nuts where shown. Fold corner panel slightly away from column to fasten bolts from outside. See Step 12 for rear door installation.



Step 10

BW22

Parts Needed For

Frames

12x17, 12x24 & 12x31

(3,7 m x 5,2 m / 3,7 m x 7,3 m / 3,7 m x 9,4 m)

☒ 7839 Front Column (2)

☒ 7834 Right Front Frame (1)

☒ 7835 Left Front Frame (1)

☒ 7831 Lintel (1)

☒ Rear Frame Assembly (1)

☒ 7915 Side Top Angle (see below)

☒ 7838 Side Top Angle (2)

☒ 7958 Door Track (1)

The top frame pieces give rigidity to the side walls and provide a surface for attaching the gables which support the roof.

1 Fasten front columns to the bottom and mid front frames with bolts and nuts. Flange with 2 holes at each end must be facing outside. Fold front panel slightly away from column to tighten bolts and nuts.

2 Fasten right and left front frame to the top of front wall panels using 4 screws.

3 Position lintel across top of frames and columns and fasten with bolts.

4 Position rear frame assembly across top of main wall panels and fasten using screws.

IF YOU ARE BUILDING A 12x24
(3,7 m x 7,3 m)

Repeat side top angle assembly using 2 additional angles 7915.

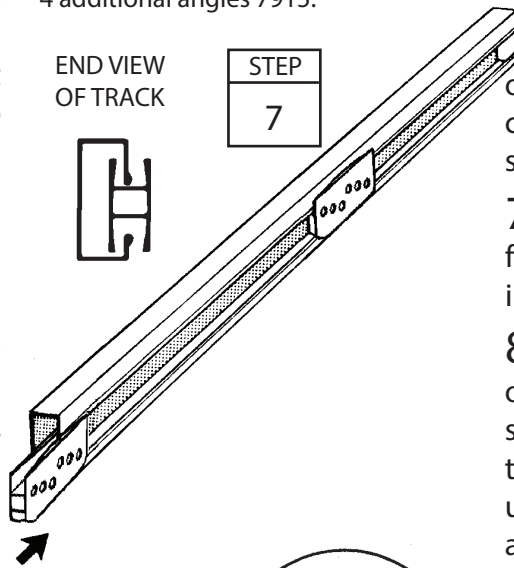
IF YOU ARE BUILDING A 12x31
(3,7 m x 9,4 m)

Repeat side top angle assembly using 4 additional angles 7915.

END VIEW
OF TRACK



STEP
7

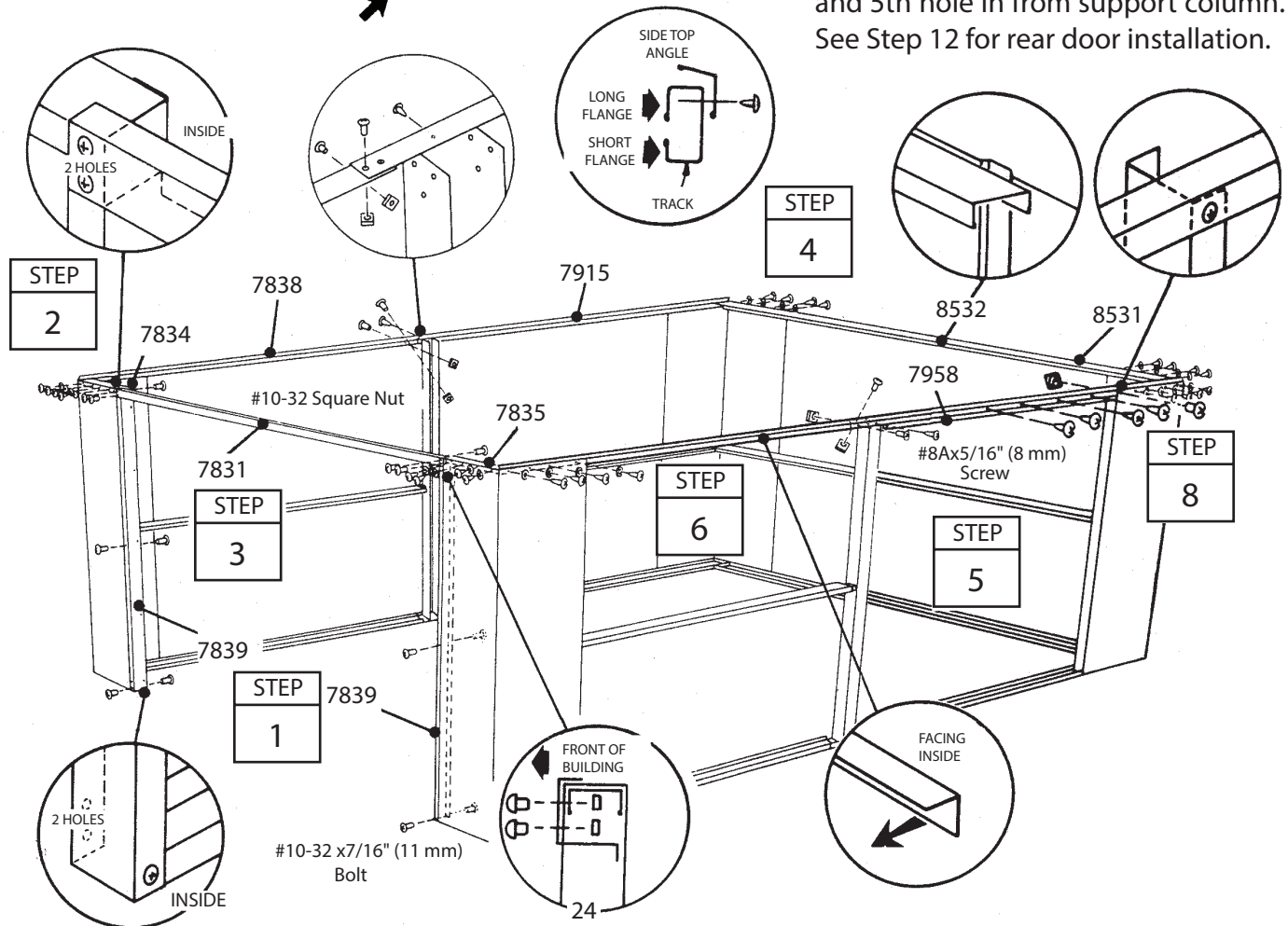


5 Fasten side top angles 7915 to the truss column using a screw and to rear corner panels using screws.

6 Fasten side top angles 7838 under 7915 and fasten to front corner panels using screws. Fasten over lap (2 1/2" [6,4 cm]) with 2 bolts and nuts. Side angles overlap front and rear frames in the corners. Fasten support column to side top angle using a bolt and nut.

7 Position door slides onto the legs, from the end of door track, as shown in the end view.

8 Position door track to the inside of side top angle, butted up against support column. With short flange of track at bottom, fasten angle to track using 4 screws at the 2nd, 3rd, 4th and 5th hole in from support column. See Step 12 for rear door installation.



Step 11

BW23

☒ Parts Needed For ☒ Walls All Sizes

- ☒ 7822 Main Wall Panel (see below)
- ☒ 7823 Medium Wall Panel (1)

Each wall panel has a crimped rib on 1 side. The crimped rib should go under the rib of the panel that follows it. Leave out 1 main wall panel at the side or rear entry door location.

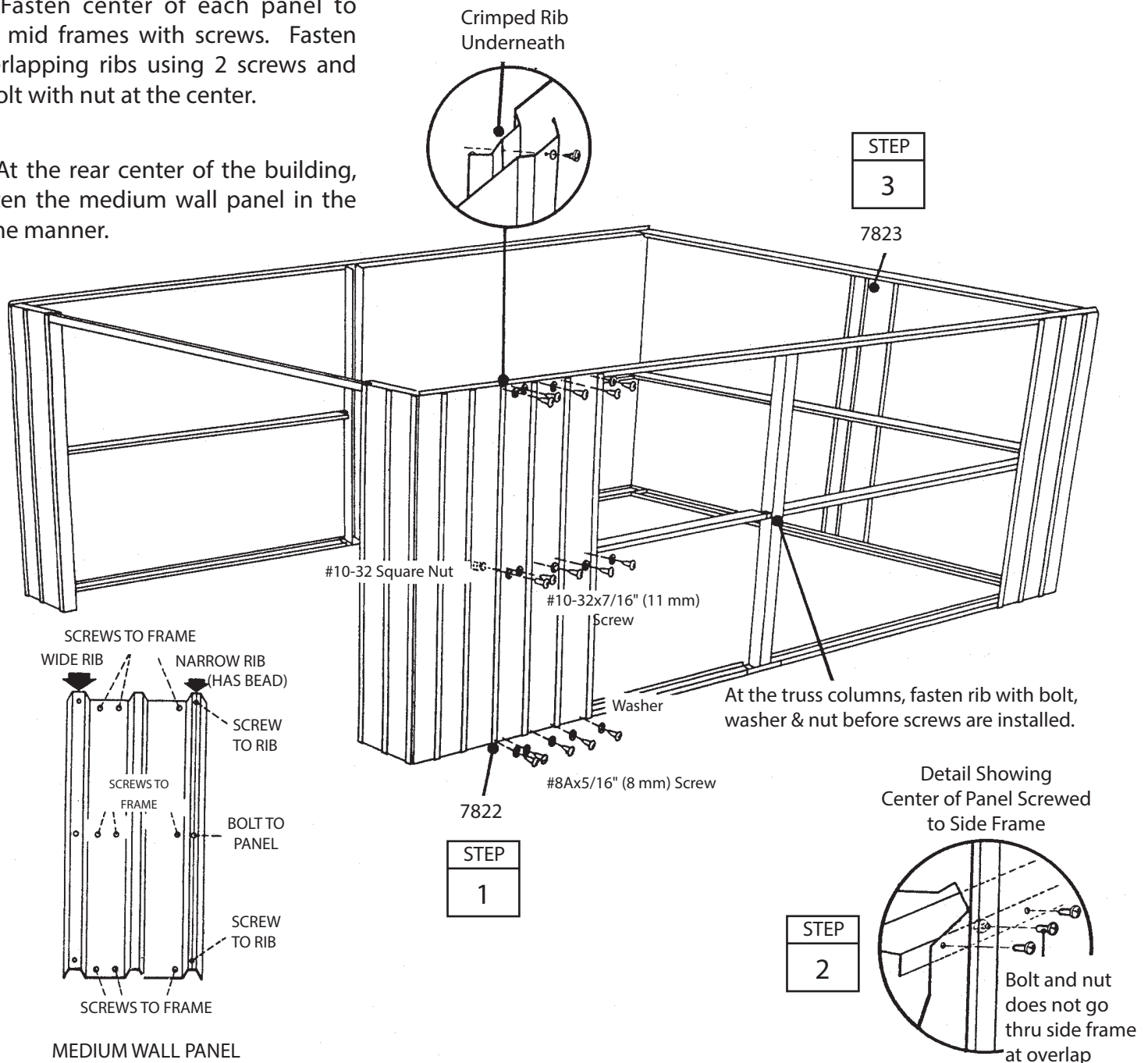
1 Fasten the main wall panels at the top and bottom with screws.

2 Fasten center of each panel to the mid frames with screws. Fasten overlapping ribs using 2 screws and a bolt with nut at the center.

3 At the rear center of the building, fasten the medium wall panel in the same manner.

IF YOU ARE BUILDING A 12x24 (3,7 m x 7,3 m)
Install 3 additional main wall panels on each side of the building.

IF YOU ARE BUILDING A 12x31 (3,7 m x 9,4 m)
Install 6 additional main wall panels on each side of the building.



Step 12

BW24

☒ Parts Needed For ☒ Rear Entry Door All Sizes

- ☒ 7517 Lower Door Track (1)
- ☒ 7560 Ramp (1)
- ☒ 8530 Splice Channel (1)
- ☒ 7951 Support Column (1)
- ☒ 7958 Door Track (1)

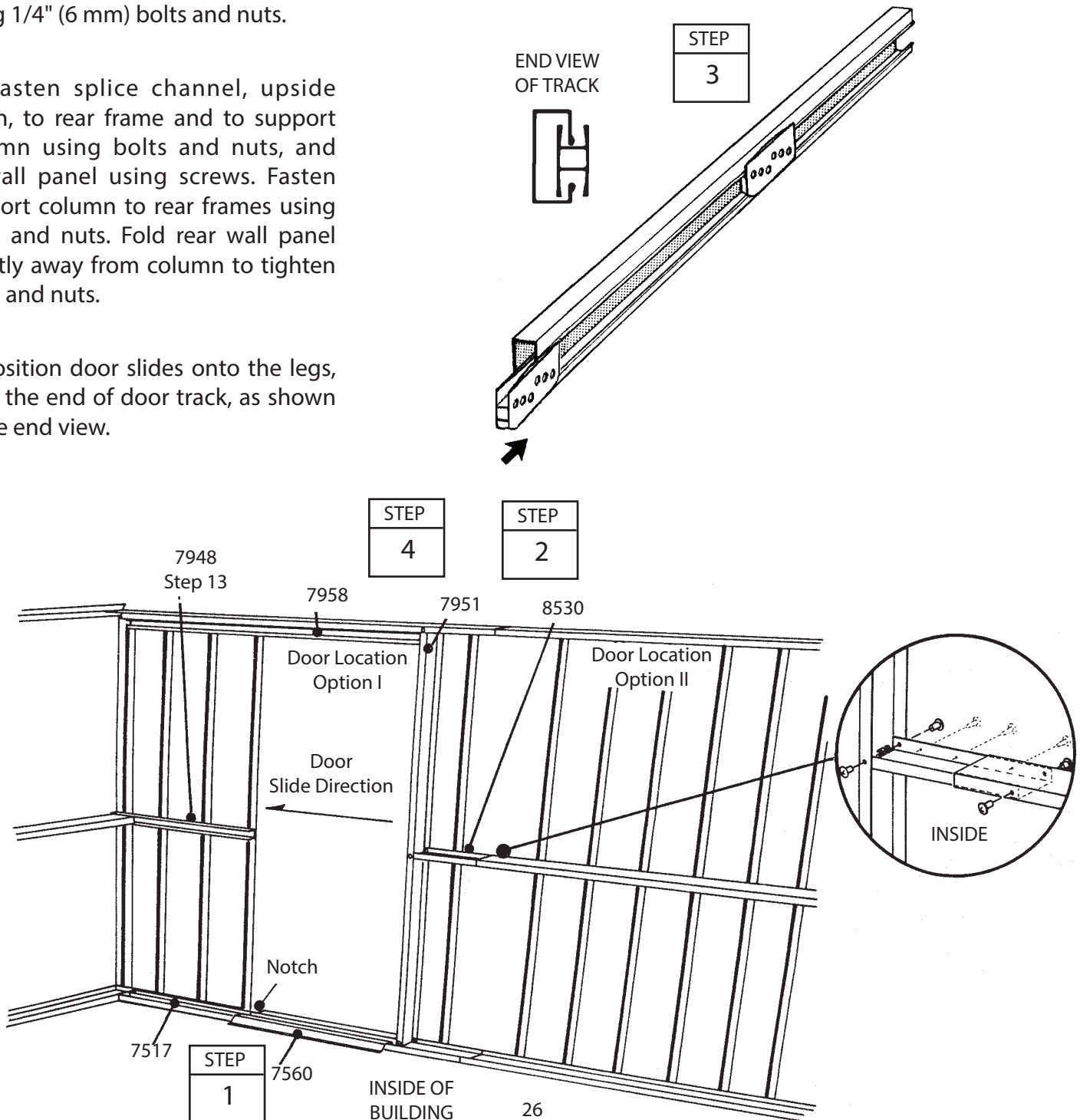
Using the previous side entry door steps and this illustration, you can install the entry door at 2 locations along the rear wall. Whichever you choose, the door will always slide towards the corner of the building.

1 Install lower door track and ramp using 1/4" (6 mm) bolts and nuts.

2 Fasten splice channel, upside down, to rear frame and to support column using bolts and nuts, and to wall panel using screws. Fasten support column to rear frames using bolts and nuts. Fold rear wall panel slightly away from column to tighten bolts and nuts.

3 Position door slides onto the legs, from the end of door track, as shown in the end view.

4 Position door track to the inside of the rear frame, butted up against support column. With short flange of track at bottom, fasten frame to track using 4 screws at the 2nd, 3rd, 4th and 5th hole in from support column.



Step 13

BW25

☒ Parts Needed For ☒

- ☒ 7946 Door Jamb (2)
- ☒ 7948 Door Wall Brace (1)
- ☒ 7972 Door Handle Lock Bracket (1)

Side or Rear Entry Door All Sizes

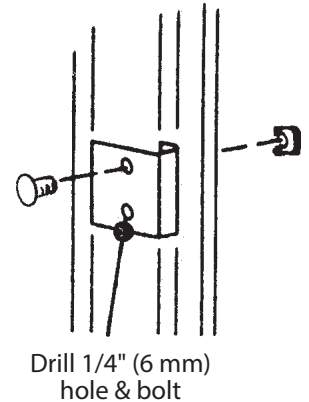
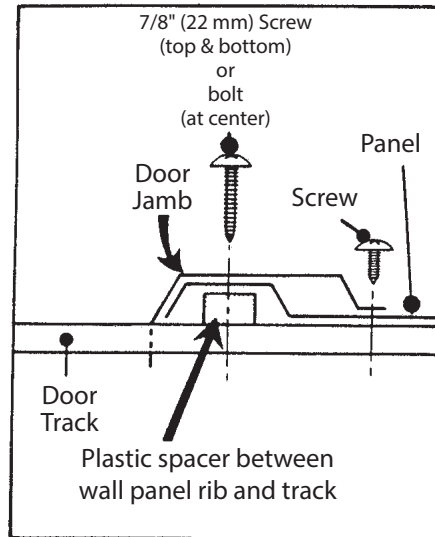
The door jambs reinforce the door opening and provide an attractive trim. Follow these steps for both door jambs.

1 Place door wall brace behind wall panel in the direction of sliding door. Fasten panel to brace using screws.

2 Overlap rib of wall panel with a door jamb and fasten at top to angle, middle to brace, and bottom to frame using #6Ax7/8" (22 mm) screws and spacers. Position spacer inside wall panel rib.

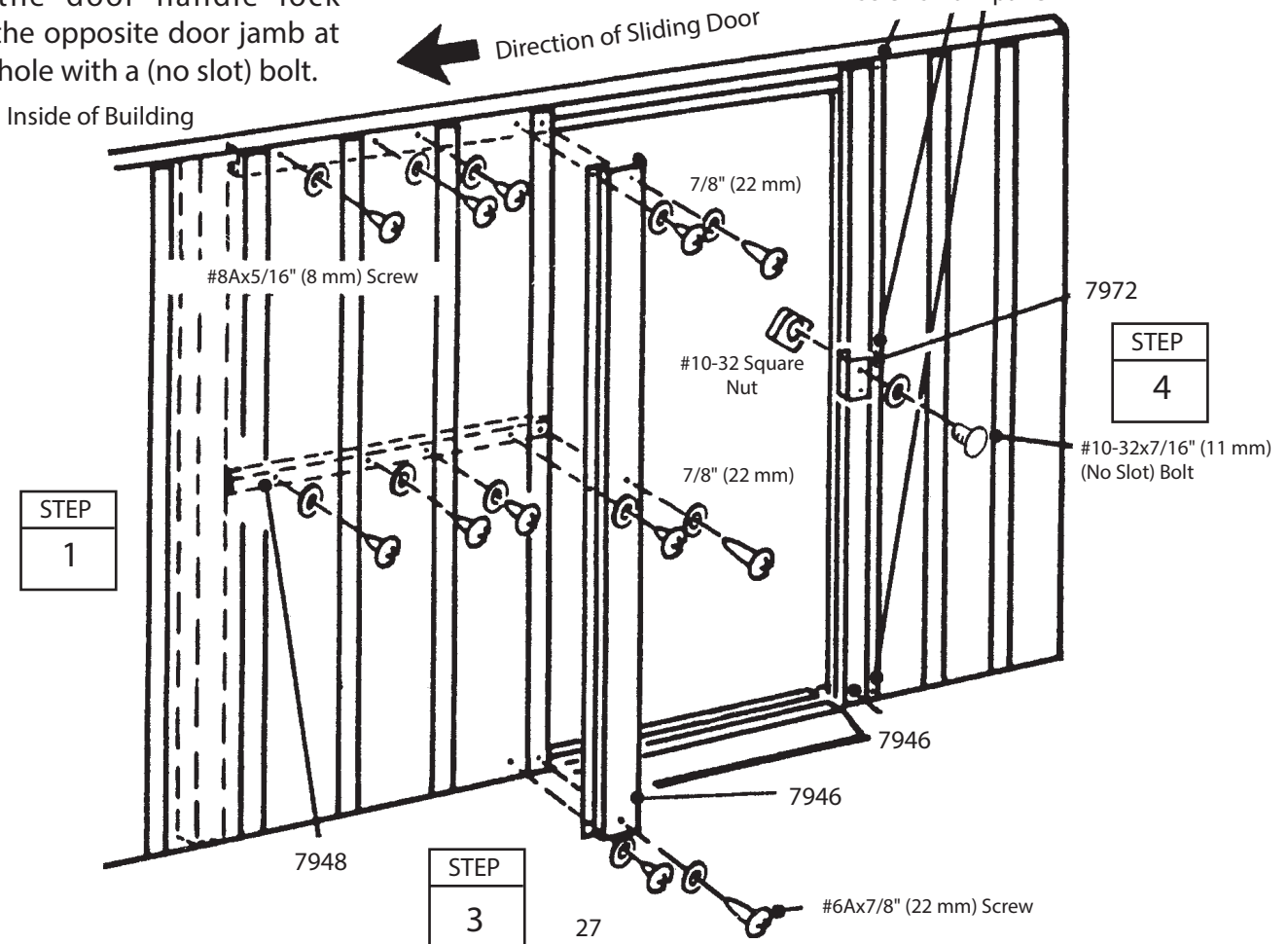
3 Fasten outer flange of door jamb to wall panel using 3 screws.

4 Secure the door handle lock bracket to the opposite door jamb at the middle hole with a (no slot) bolt.



STEP
2

Remove and reinsert screws from panel



Step 14

BW26

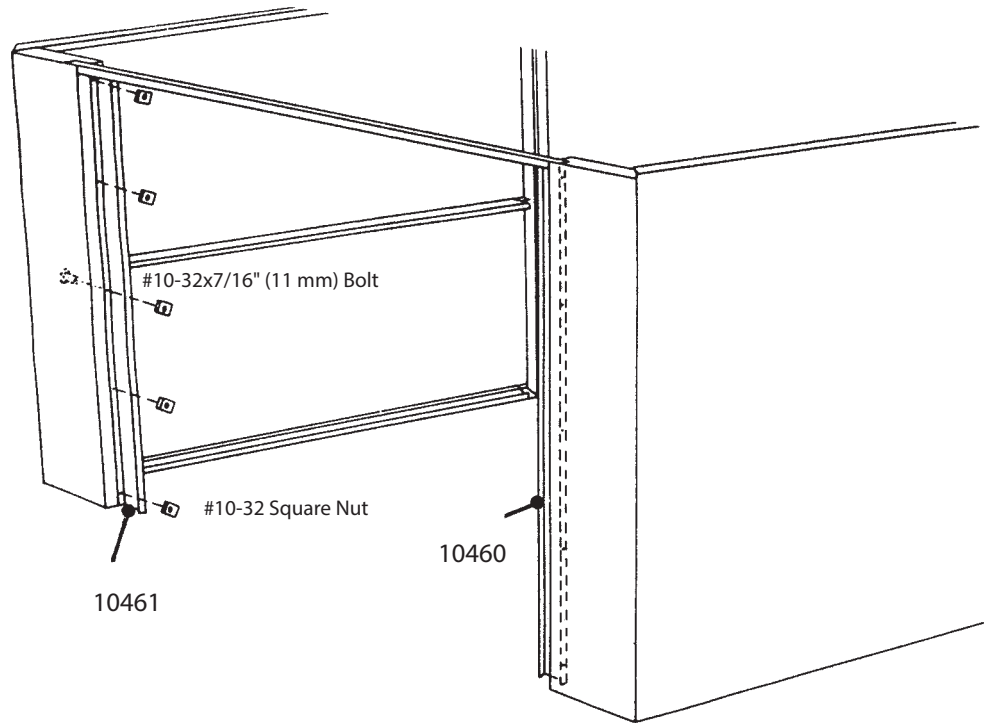
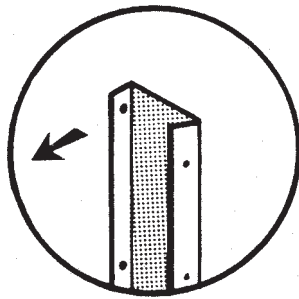
☒ Parts Needed For ☒ Track Supports All Sizes

☒ 10460 Right Track Support (1)
☒ 10461 Left Track Support (1)

1 Fasten right and left track supports to the front columns using 5 bolts from the inside and nuts outside.

NOTE

Flanges on track supports must face towards front of building.



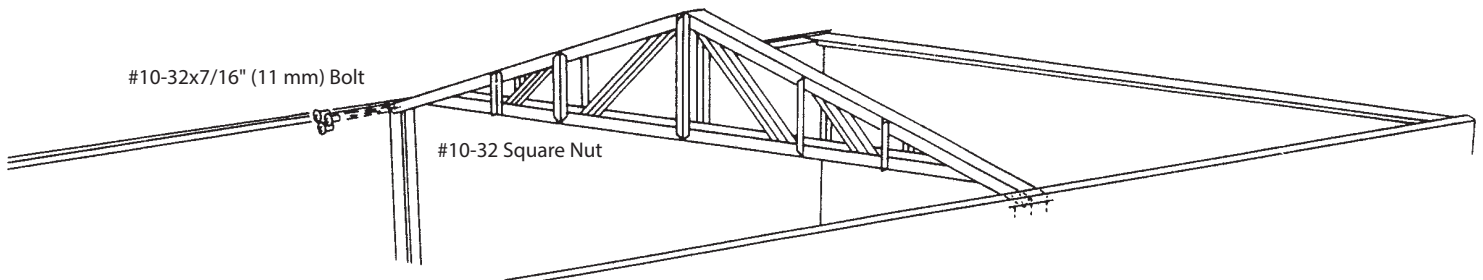
Step 15

☒ Parts Needed For ☒ Truss 12x17, 12x24 & 12x31 (3,7 m x 5,2 m / 3,7 m x 7,3 m / 3,7 m x 9,4 m)

☒ Truss Assembly (see below)

1 Position Truss Assembly on building by sliding truss upper chords over truss columns and fasten with 6 bolts and nuts on each side.

IF YOU ARE BUILDING A 12x24 (3,7 m x 7,3 m)
Install 2 trusses on truss columns.
IF YOU ARE BUILDING A 12x31 (3,7 m x 9,4 m)
Install 3 trusses on truss columns.



Step 16

BW27

☒ Parts Needed For ☒

Roof Beams 12x17, 12x24 & 12x31 (3,7 m x 5,2 m / 3,7 m x 7,3 m / 3,7 m x 9,4 m)

- ☒ Right Gable Assembly (1)
- ☒ 10462 Roof Beam (4)
- ☒ Left Gable Assembly (1)
- ☒ 6382 Center Gable Brace (1)
- ☒ 10462 Roof Beam Assembly (1)
- ☒ 6372 Gable Strut (2)

1 Lift and fasten a right gable assembly at top of lintel using bolts & screws.

2 Install single roof beams 10462 to the gable braces at the front section.

3 Lift and fasten a left gable assembly in the same manner.

4 Join left and right gables together with a center gable brace using 3 bolts and nuts, at middle holes.

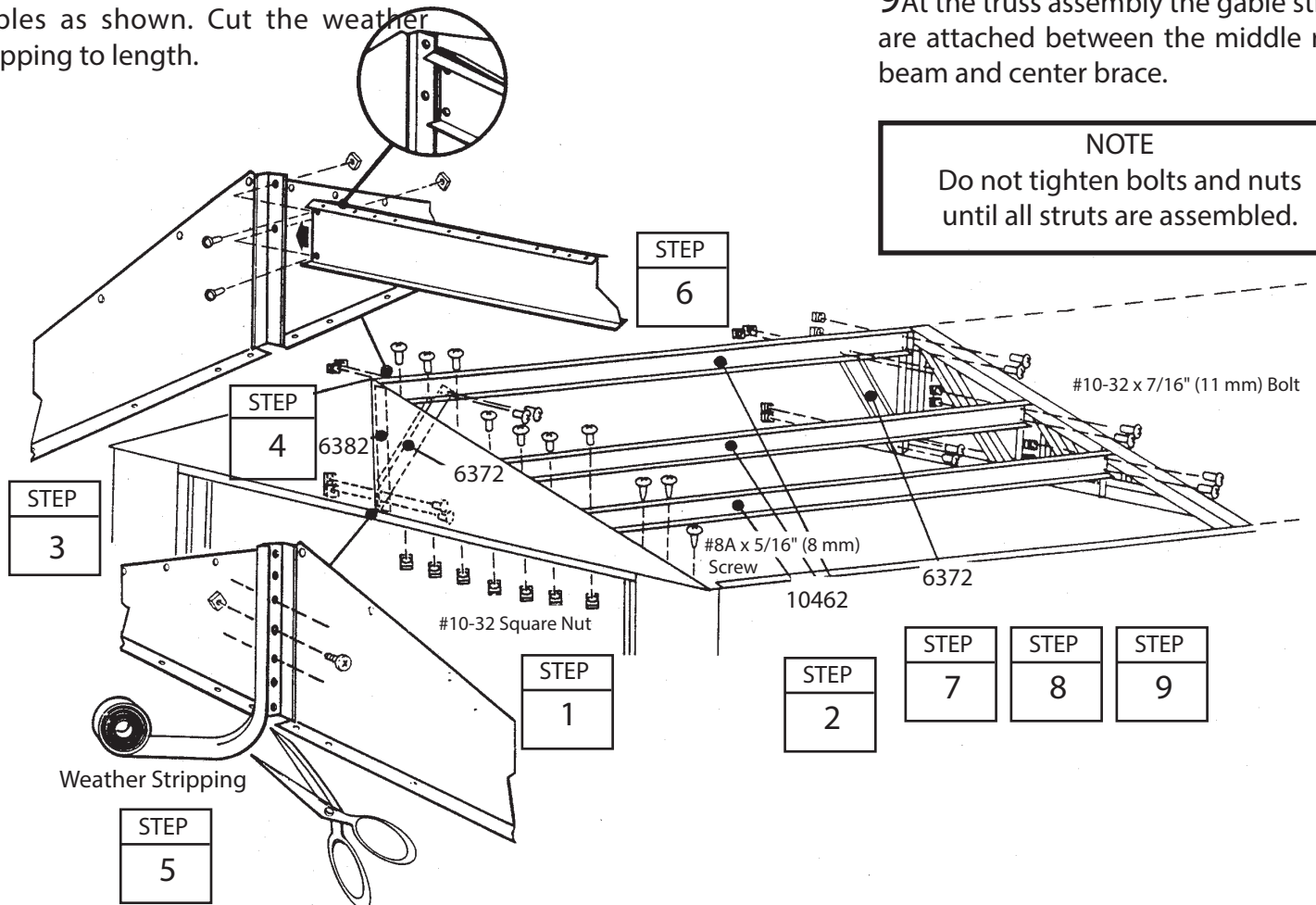
5 Apply weather stripping along the mating edge of the left and right gables as shown. Cut the weather stripping to length.

6 Install single roof beams to the left side of building in the same manner. Slide a roof beam assembly 10462 over center gable flange and other end over center gable braces on truss and fasten using bolts & nuts.

7 Fasten a gable strut to the middle roof beam behind the front gable by placing tab on end of strut between the roof beams. Align the tab with holes and fasten strut with 2 bolts.

8 Fasten the lower end of the strut to center gable flange with 2 bolts.

9 At the truss assembly the gable struts are attached between the middle roof beam and center brace.



NOTE
Do not tighten bolts and nuts until all struts are assembled.

Step 17

BW28

☒ Parts Needed For ☒

Roof Beams 12x17, 12x24 & 12x31
 (3,7 m x 5,2 m / 3,7 m x 7,3 m / 3,7 m x 9,4 m)

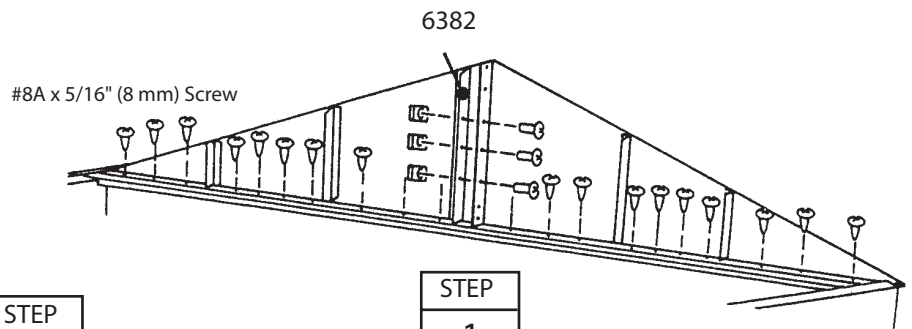
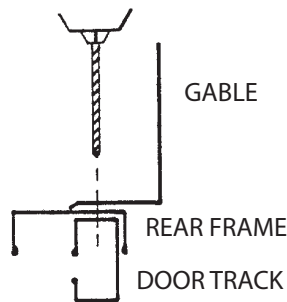
- ☒ Right Gable Assembly (1)
- ☒ Left Gable Assembly (1)
- ☒ 7912 Roof Beam (4)
- ☒ 6382 Center Gable Brace (1)
- ☒ 7912 Roof Beam Assembly (1)
- ☒ 6372 Gable Strut (2)

1 Fasten gables to rear frame using all screws.

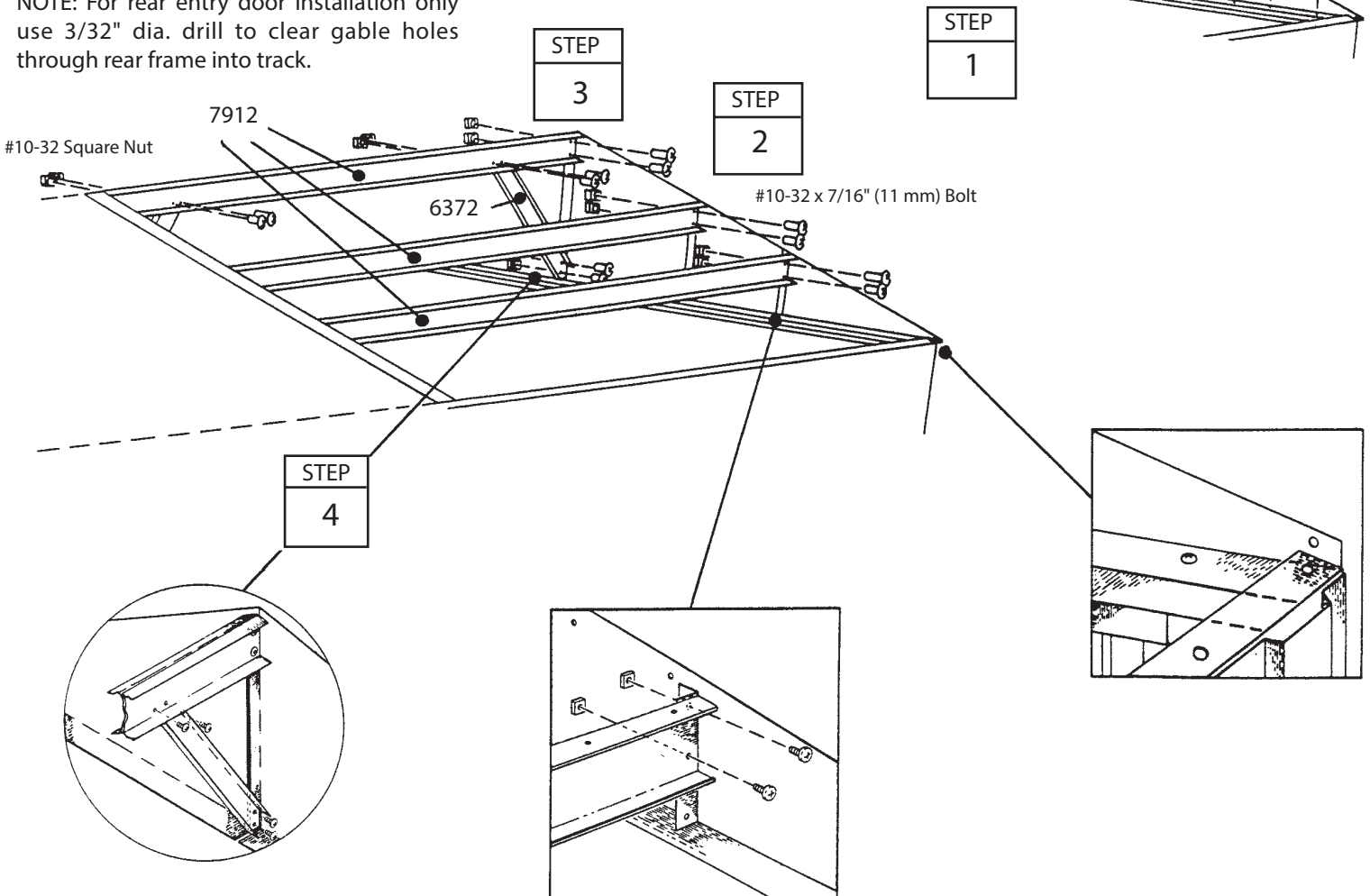
2 Install single roof beams 7912 and center gable brace to rear section in the same manner.

3 Fasten roof beam assembly 7912 and struts as before.

4 Fasten gable strut to rear of building.



NOTE: For rear entry door installation only use 3/32" dia. drill to clear gable holes through rear frame into track.



Step 18

BW29

☒ Parts Needed For ☒ Roof Beams 12x10 (3,7 m x 3,0 m)

- ☒ Right Gable Assembly (2)
- ☒ Left Gable Assembly (2)
- ☒ 6382 Center Gable Brace (2)
- ☒ 10462 Roof Beam (4)
- ☒ 10462 Roof Beam Assembly (1)
- ☒ 6372 Gable Strut (2)

1 Lift and fasten a right gable assembly at top of lintel using bolts & screws.

2 Lift and fasten a left gable assembly at top of rear frame using screws.

3 Install single roof beams to gable braces using bolts and nuts.

4 Fasten gables to left side of building in the same manner.

5 Join left and right gables together with a center gable brace using 3 bolts and nuts, at middle holes.

6 Apply weather stripping along the mating edge of the left and right gables as shown. Cut the weather stripping to length.

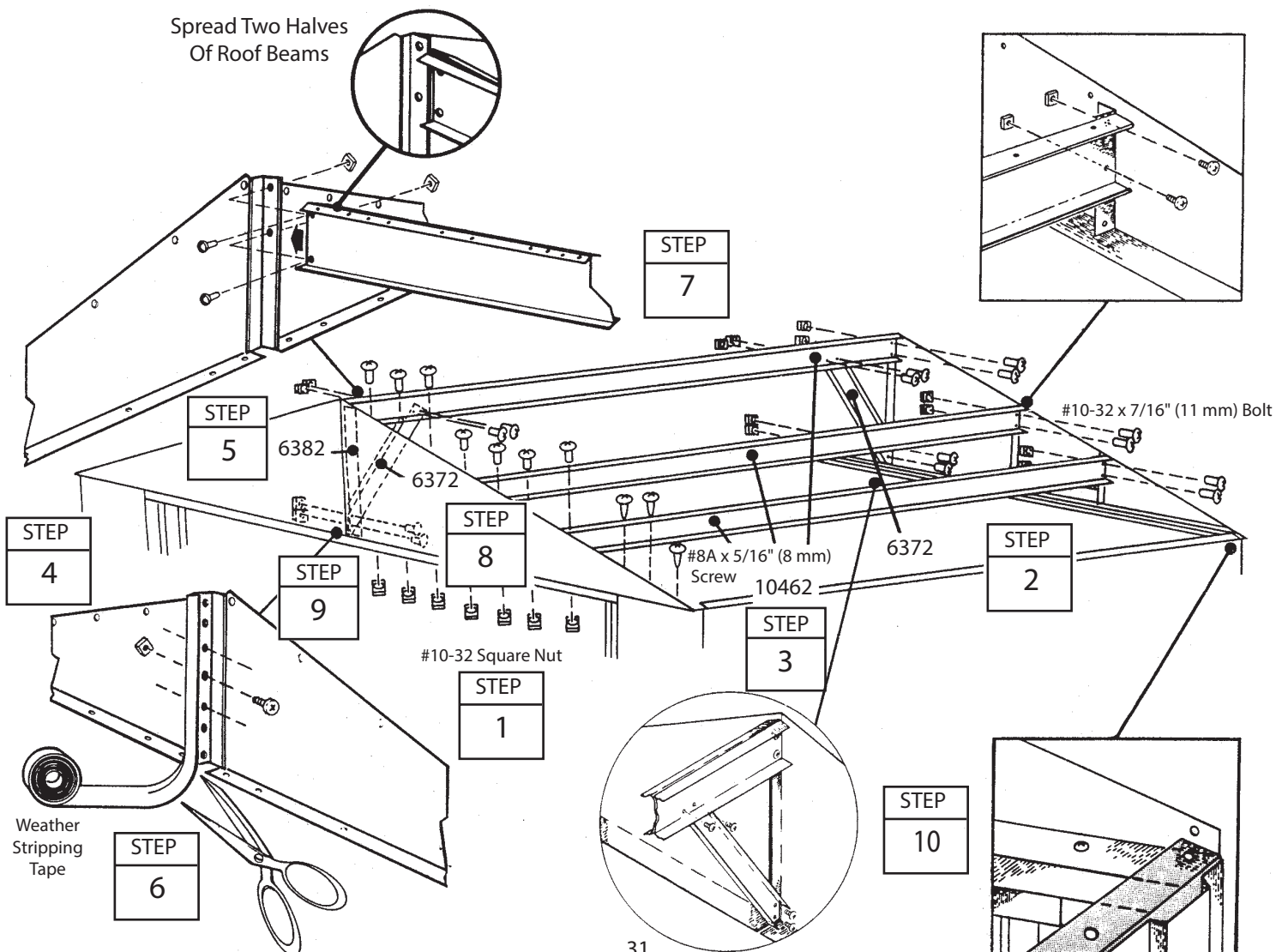
7 Install single roof beams to the left side of building in the same manner. Slide a roof beam assembly over center gable flange and fasten.

8 Fasten a gable strut to the middle roof beam behind the front gable by placing tab on end of strut between the roof beams. Align the tab with holes and fasten strut with 2 bolts.

9 Fasten the lower end of the strut to center gable flange with 2 bolts.

10 Repeat Steps 8 & 9 for rear of building.

NOTE
Do not tighten bolts and nuts until the strut is assembled at rear.



Step 19

Squaring the Building All Sizes

BW30

1 Square the building on the foundation and at the top, by measuring diagonally from corner to corner as previously done.

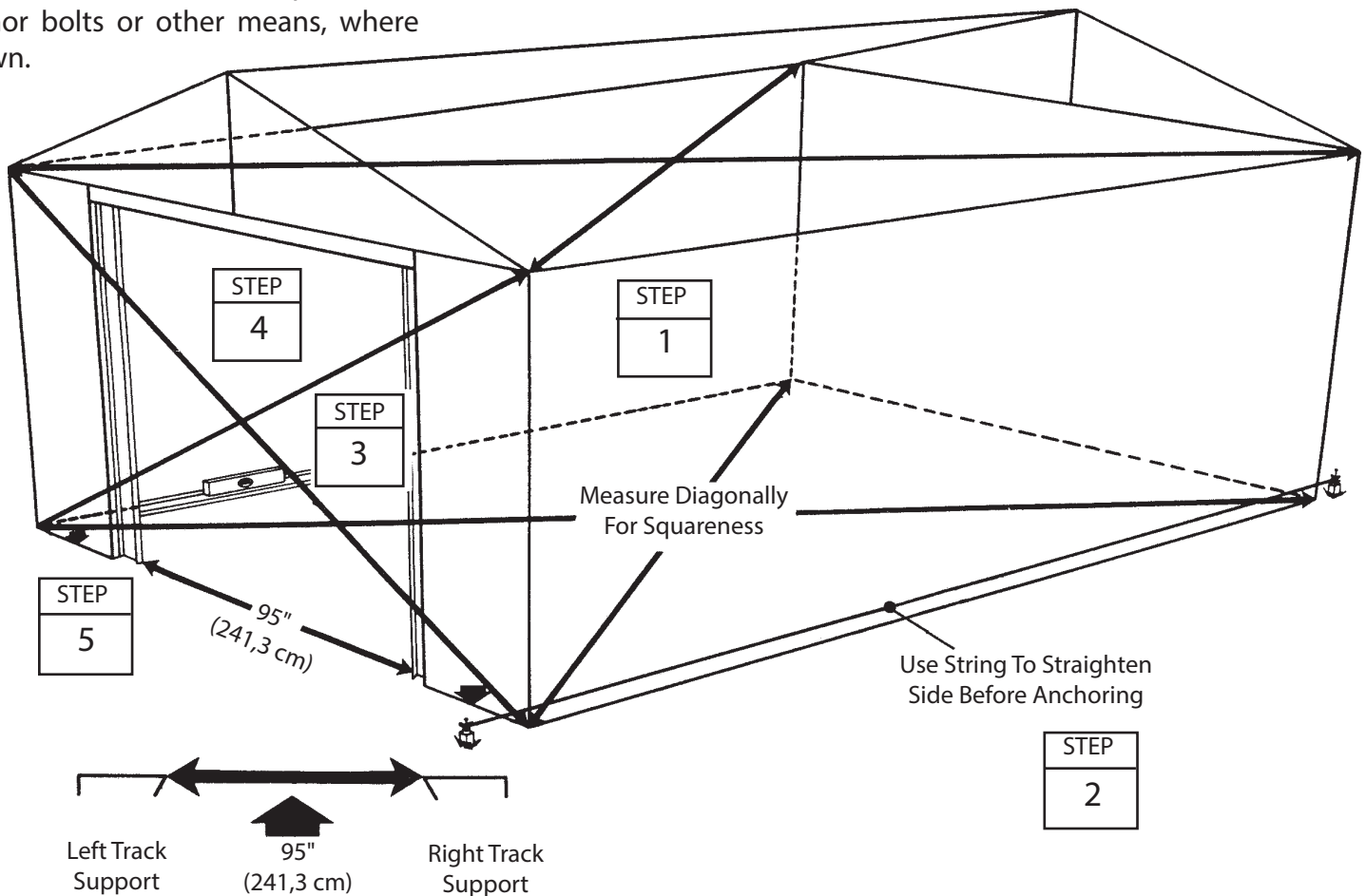
2 Use string to check and see if the sides and rear of building are straight, not bowed inward or outward.

3 Level the full perimeter of the floor frame. Shim under with wood shingles if necessary.

4 Square the front of building as previously done for base.

5 Anchor front frame to concrete with 1/4" (6 mm) diameter expandable anchor bolts or other means, where shown.

NOTE
The 95" (241,3 cm) door opening must be held for proper door alignment. Measure between the left and right track support.



Step 20

☒ Parts Needed For ☒ Corner Roof Panels All Sizes

- ☒ 7826 Right Roof Panel (2)
- ☒ 7827 Left Roof Panel (1)

BW31

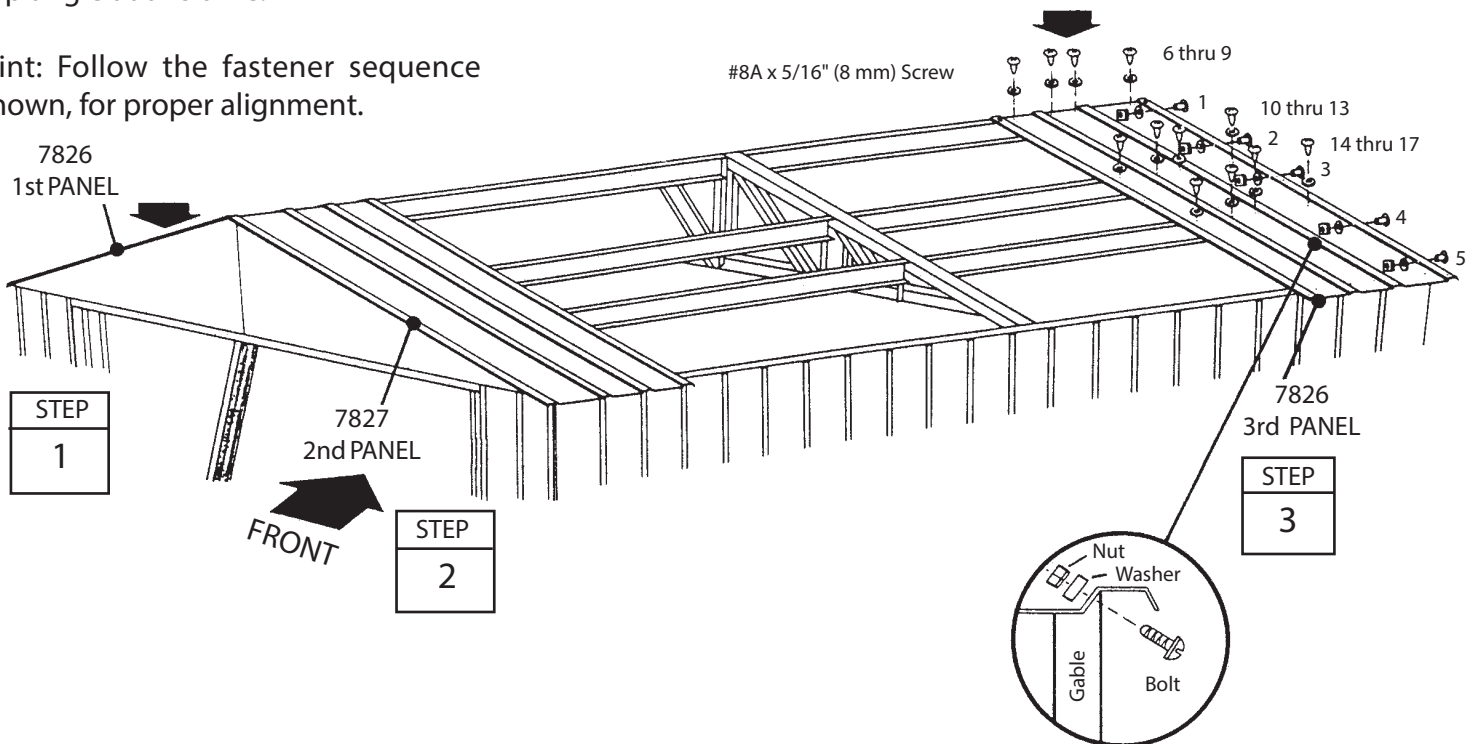
Installing the roof panels is best done with a step ladder. Each screw and bolt in the roof requires a washer. Support lintel by propping up at center with a wood 2x4 (38 mm x 89 mm) until sag is gone and there are no buckles in gables.

1 Position a right roof panel at the front left corner and fasten to the gable and roof beams using screws and bolts as shown. Do not fasten the lower end of the panels to the side top angle at this time.

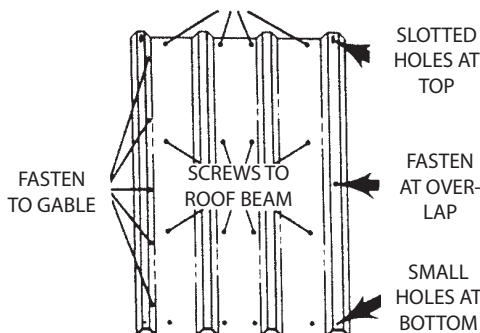
Hint: Follow the fastener sequence shown, for proper alignment.

2 Install the left roof panel for the right side in the position shown. Remove lintel support.

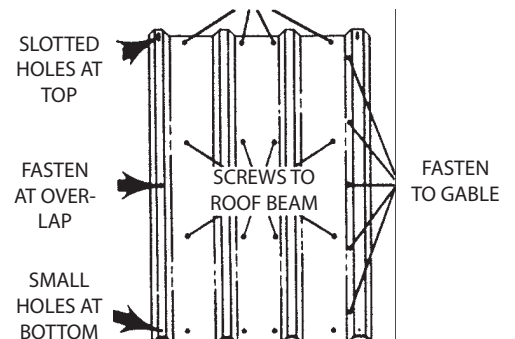
3 Temporarily install a second right roof panel loosely as shown, for removal later. Do not fasten left rear panel at this time.



LEFT CORNER ROOF PANEL
SCREWS TO ROOF BEAM



RIGHT CORNER ROOF PANEL
SCREWS TO ROOF BEAM



NOTE
If roof beam holes do not line up with the roof panel holes, shift the building from left to right. If this does not help, your building may not be level. Shim the corners until holes line up.

Step 21

BW32

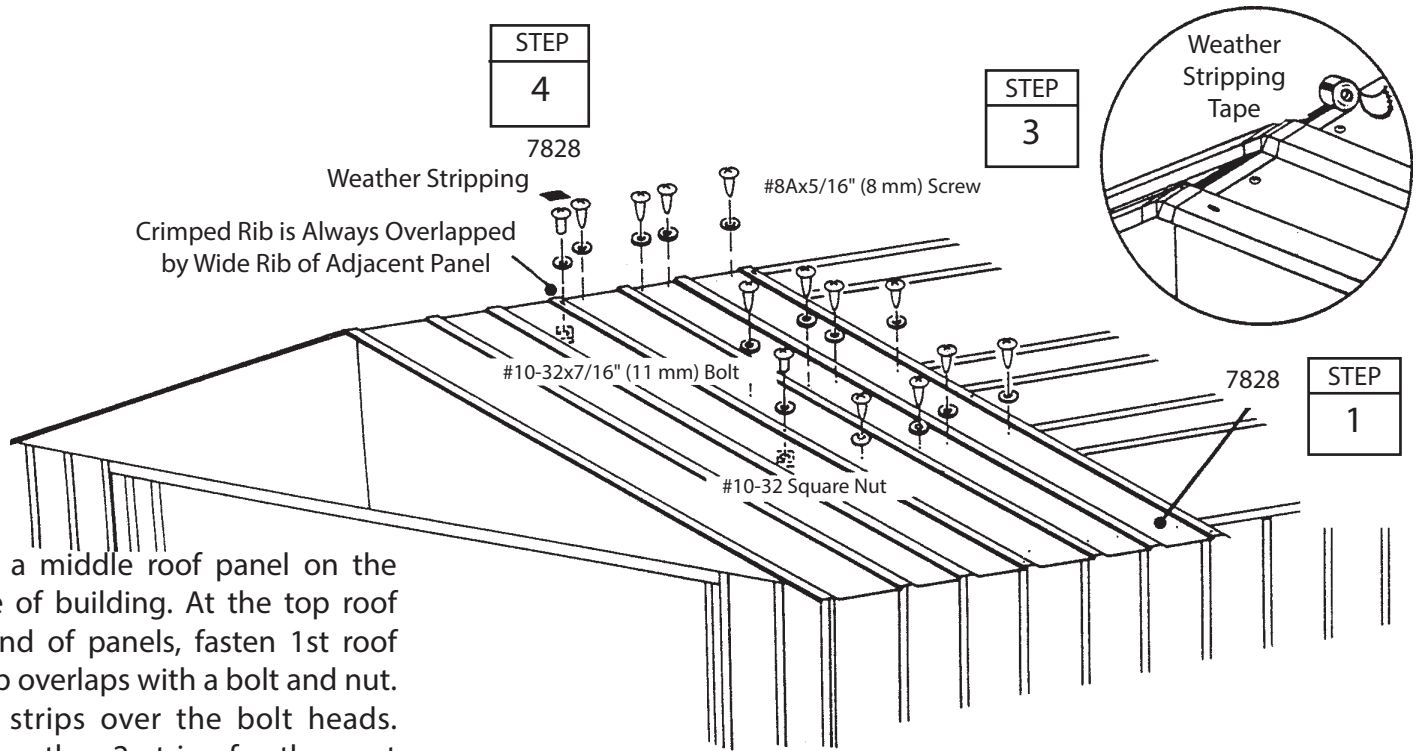
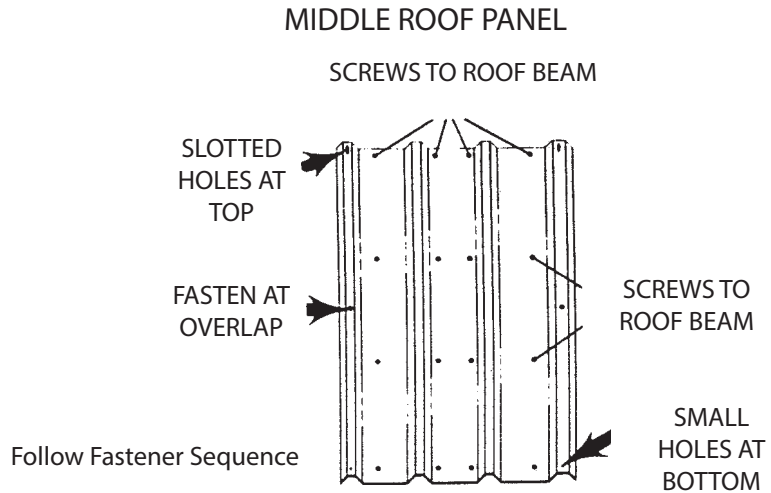
☒ Parts Needed For ☒ Roof Panels 12x10 (3,7 m x 3,0 m)

☒ 7828 Middle Roof Panel (2)

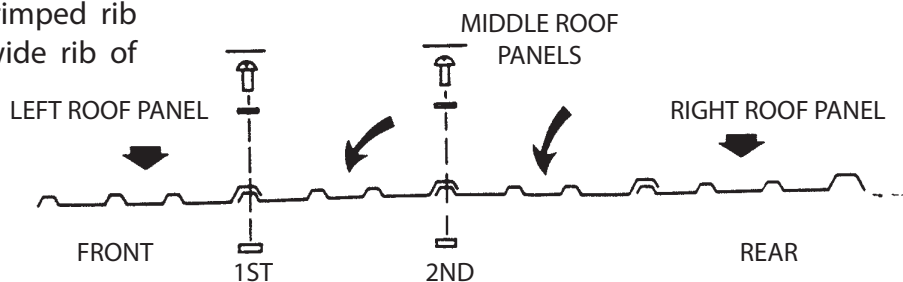
1 Position middle roof panel overlapping rib of left corner roof panel. Fasten overlap at center of roof panel rib using a bolt and nut. Fasten to roof beams as before using screws.

2 Cut the weather stripping tape into 4 strips, each strip being about 2" (5,1 cm) long.

3 Cover the joint at the peak with weatherstripping tape. Unroll the tape and press it down over the opening at the ridge as you install each roof panel. Do not cut the tape at this time.



4 Install a middle roof panel on the left side of building. At the top roof beam end of panels, fasten 1st roof panel rib overlaps with a bolt and nut. Press 2 strips over the bolt heads. Save the other 2 strips for the next overlap. Remember, the crimped rib is always overlapped by wide rib of adjacent panel.



Step 22

BW33

☒ Parts Needed For ☒

Roof Panels 12x17, 12x24 & 12x31 (3,7 m x 5,2 m / 3,7 m x 7,3 m / 3,7 m x 9,4 m)

☒ 7828 Middle Roof Panel
(see below)

1 Position middle roof panel overlapping rib of left corner roof panel. Fasten overlap at center of roof panel rib using a bolt and nut. Fasten to roof beams as before using screws.

2 Cut the weather stripping tape into 8 strips, each strip being about 2" (5,1 cm) long.

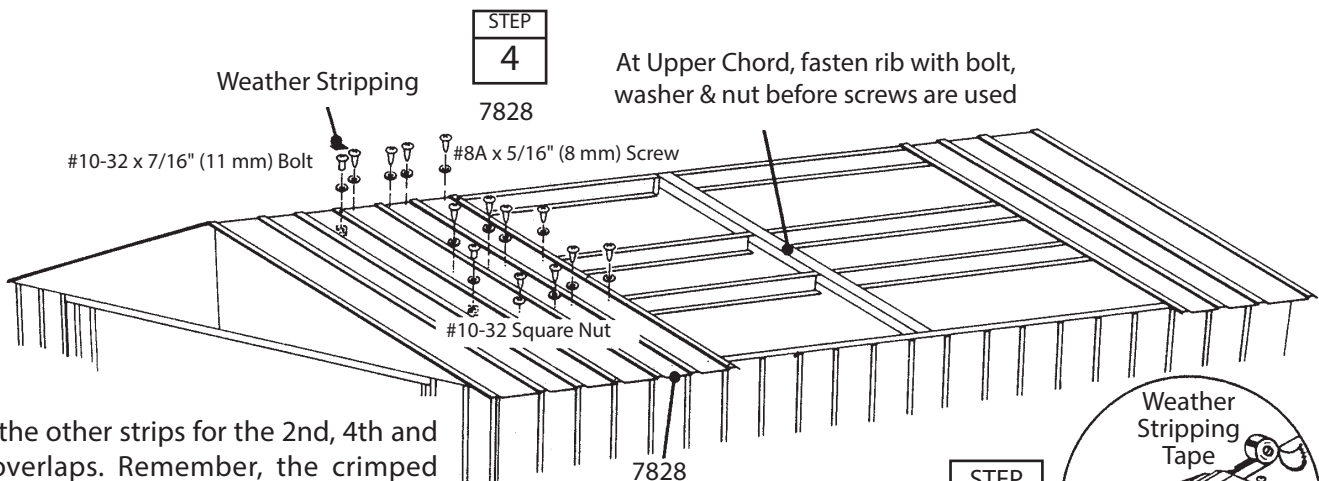
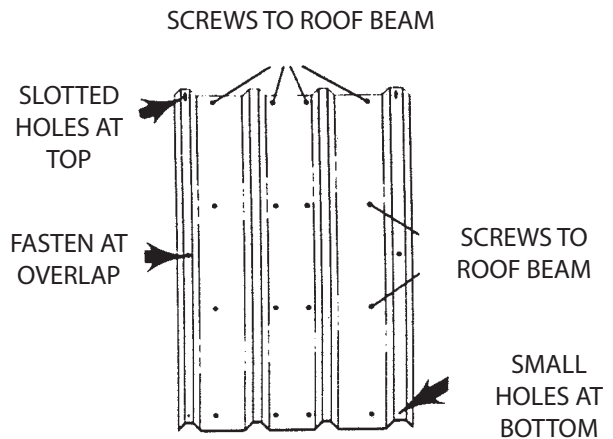
3 Cover the joint at the peak with weather stripping tape. Unroll the tape and press it down over the opening at the ridge as you install each roof panel. Do not cut the tape at this time.

4 Install a middle roof panel on the left side of building. At the top roof beam end of panels, fasten 1st roof panel rib overlaps with a bolt and nut. Press 2 strips over the bolt heads.

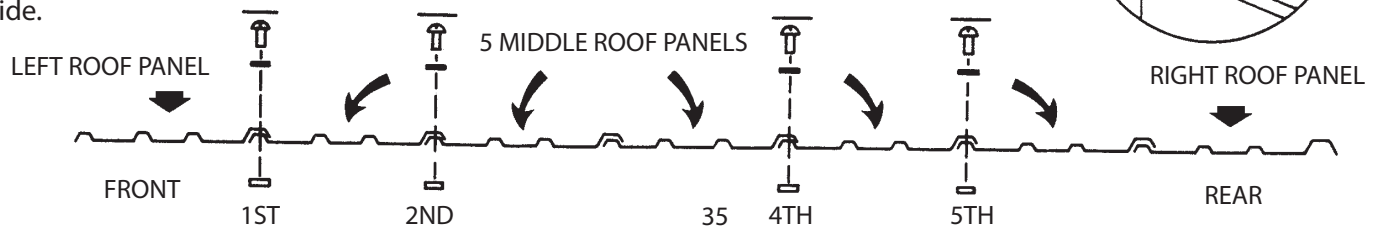
IF YOU ARE BUILDING A 12x24 (3,7 m x 7,3 m)
Cut 12 - 2" (5,1 cm) strips. There are 3 extra middle roof panels on each side of building. Fasten 7th and 8th panel overlap and apply strip over head of bolt, along with ridge caps.

IF YOU ARE BUILDING A 12x31 (3,7 m x 9,4 m)
Cut 16 - 2" (5,1 cm) strips. There are 6 extra middle roof panels on each side of building. Fasten 7th, 8th, 10th & 11th panel overlap and apply strip over head of bolt, along with ridge caps.

MIDDLE ROOF PANEL



Save the other strips for the 2nd, 4th and 5th overlaps. Remember, the crimped rib is always overlapped by wide rib of adjacent panel. Repeat procedure with 2 more middle roof panels working side to side.



STEP 3

STEP 1

Step 23

☒ Parts Needed For ☒ Ridge Caps 12x10 (3,7 m x 3,0 m)

- ☒ 7828 Middle Roof Panel (2)
- ☒ 7843 Ridge Cap (1)
- ☒ 7827 Left Roof Panel (1)
- ☒ 6874 Ridge Cap (1)

BW34

1 Temporarily remove right rear roof panel.

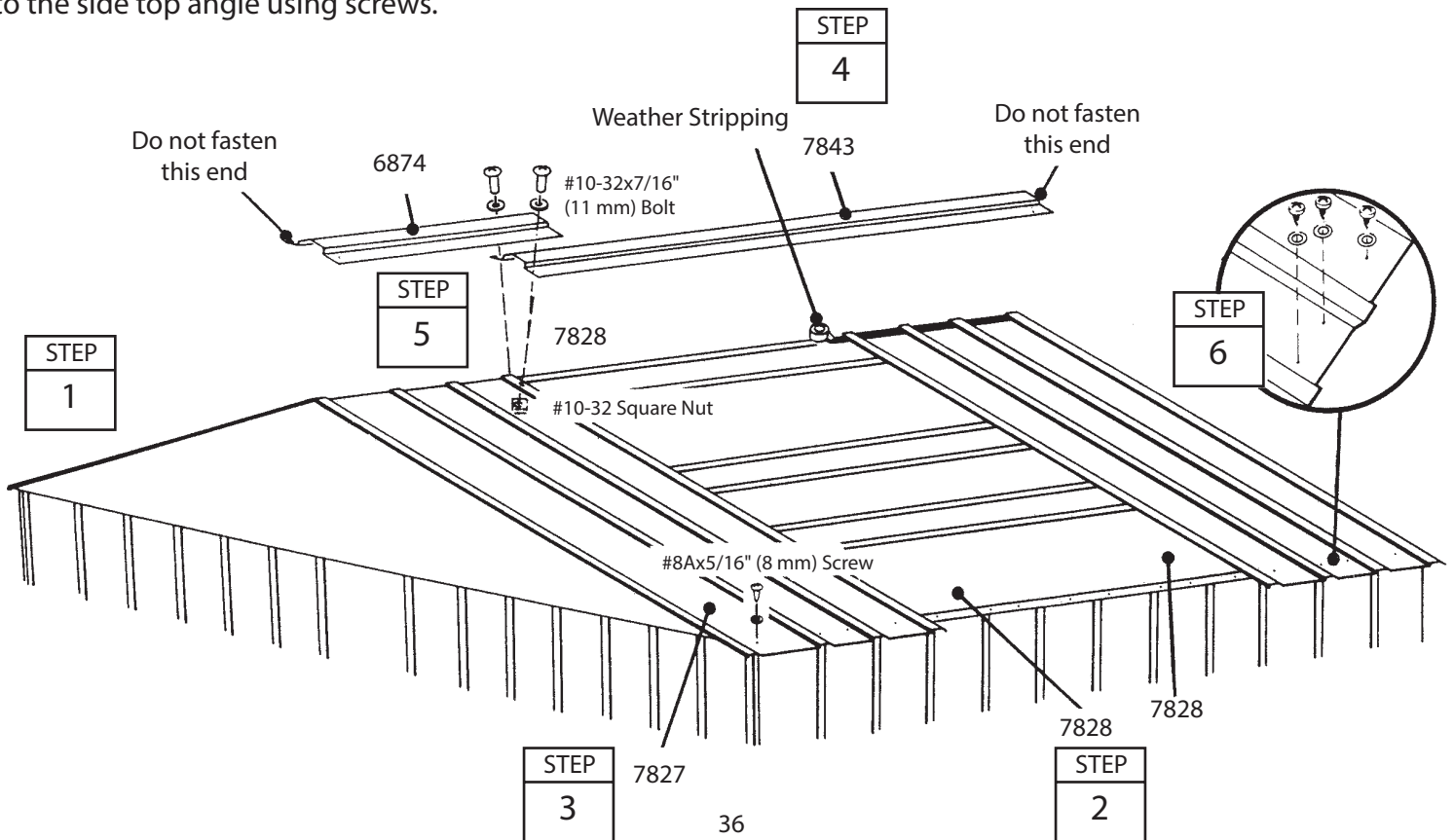
2 Install 2 middle roof panels. Fasten 2nd roof panel rib overlaps with a bolt and nut. Press 2 strips over the bolt heads. Continue weather stripping.

3 Install the right and left roof panels at the rear gables. Follow fastener sequence.

4 Position a ridge cap 7843 on the completed front roof section.

5 Install the second ridge cap 6874 overlapping the first ridge cap. Align the holes and fasten using bolts.

6 Fasten the lower end of the panels to the side top angle using screws.



Step 24

BW35

Parts Needed For

Ridge Caps 12x17, 12x24 & 12x31

(3,7 m x 5,2 m / 3,7 m x 7,3 m / 3,7 m x 9,4 m)

- ☒ 7828 Middle Roof Panel (see below)
- ☒ 7843 Ridge Cap (see below)
- ☒ 7827 Left Roof Panel (1)
- ☒ 6874 Ridge Cap (1)

1 Continue weather stripping and fastening overlaps.

2 Position a ridge cap 7843 on the completed front roof section.

3 Install 2 middle roof panels.

4 Install the second ridge cap 7843 overlapping the first ridge cap. Align the holes and fasten using bolts.

5 Temporarily remove right rear roof panel. Install 4 middle roof panels. As each panel is fastened, carefully raise 2nd ridge cap slightly away from panels for fasteners and tape.

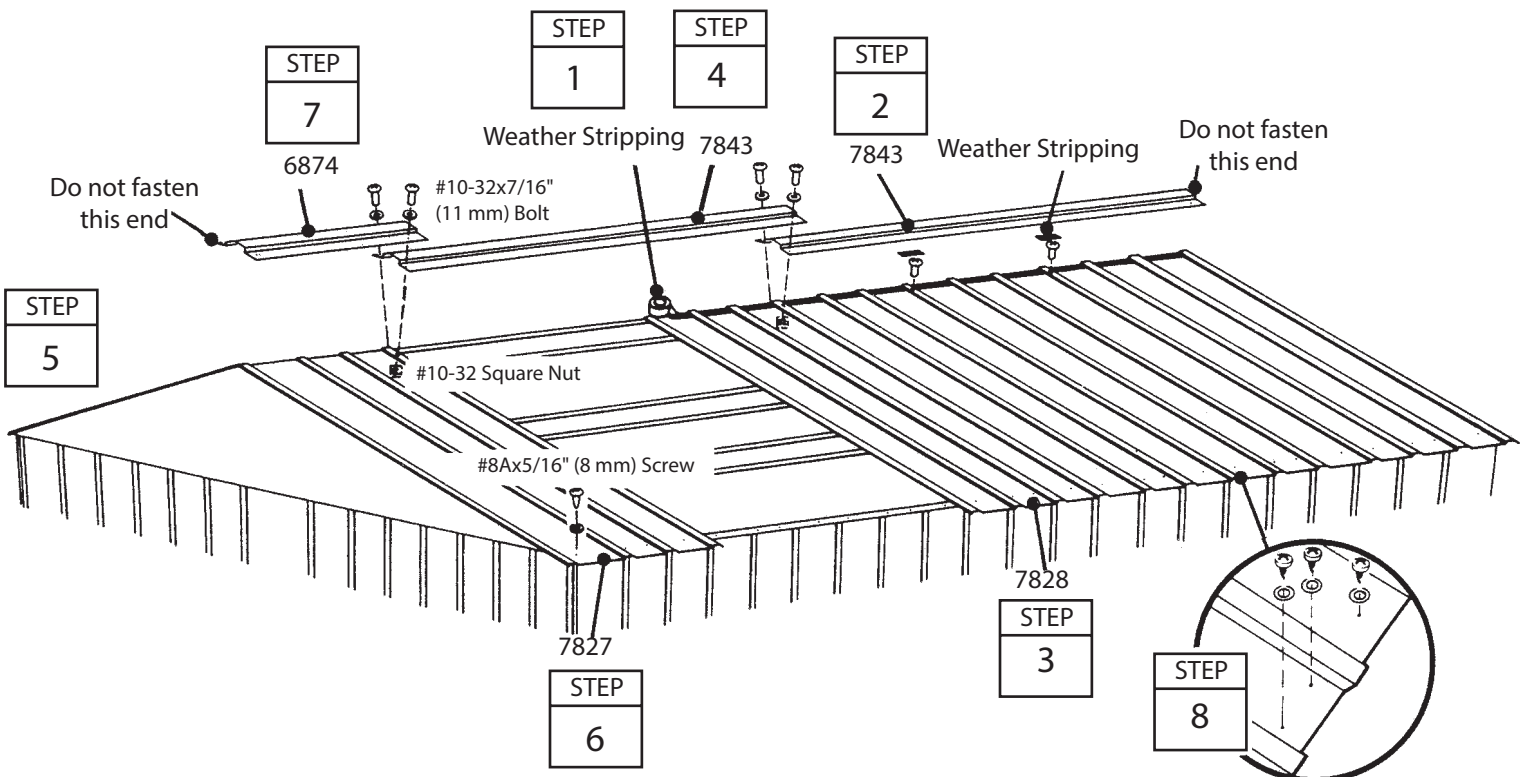
6 Install the right and left roof panels at the rear gables. Follow fastener sequence.

7 Install the third ridge cap 6874 overlapping the second ridge cap. Align the holes and fasten using bolts.

8 Fasten the lower end of the panels to the side top angle using screws.

IF YOU ARE BUILDING A 12x24 (3,7 m x 7,3 m)
Replace ridge cap 6874 with an additional ridge cap 7843 and install ridge cap 6874 to rear of building.

IF YOU ARE BUILDING A 12x31 (3,7 m x 9,4 m)
Replace ridge cap 6874 with 2 additional ridge caps 7843 and install ridge cap 6874 to rear of building.



Step 25

☒ Parts Needed For ☒ Trim 12x10 (3,7 m x 3,0 m)

- ☒ 5220 Side Roof Trim (2)
- ☒ 6014 Side Roof Trim (2)
- ☒ 7846 Right Rake (2)
- ☒ 7845 Left Rack (2)

BW36

1 Attach the side roof trim to the lower end of the roof panels on each side of the building using screws at each panel overlap.

NOTE

A single screw fastens both trim pieces at the overlap.

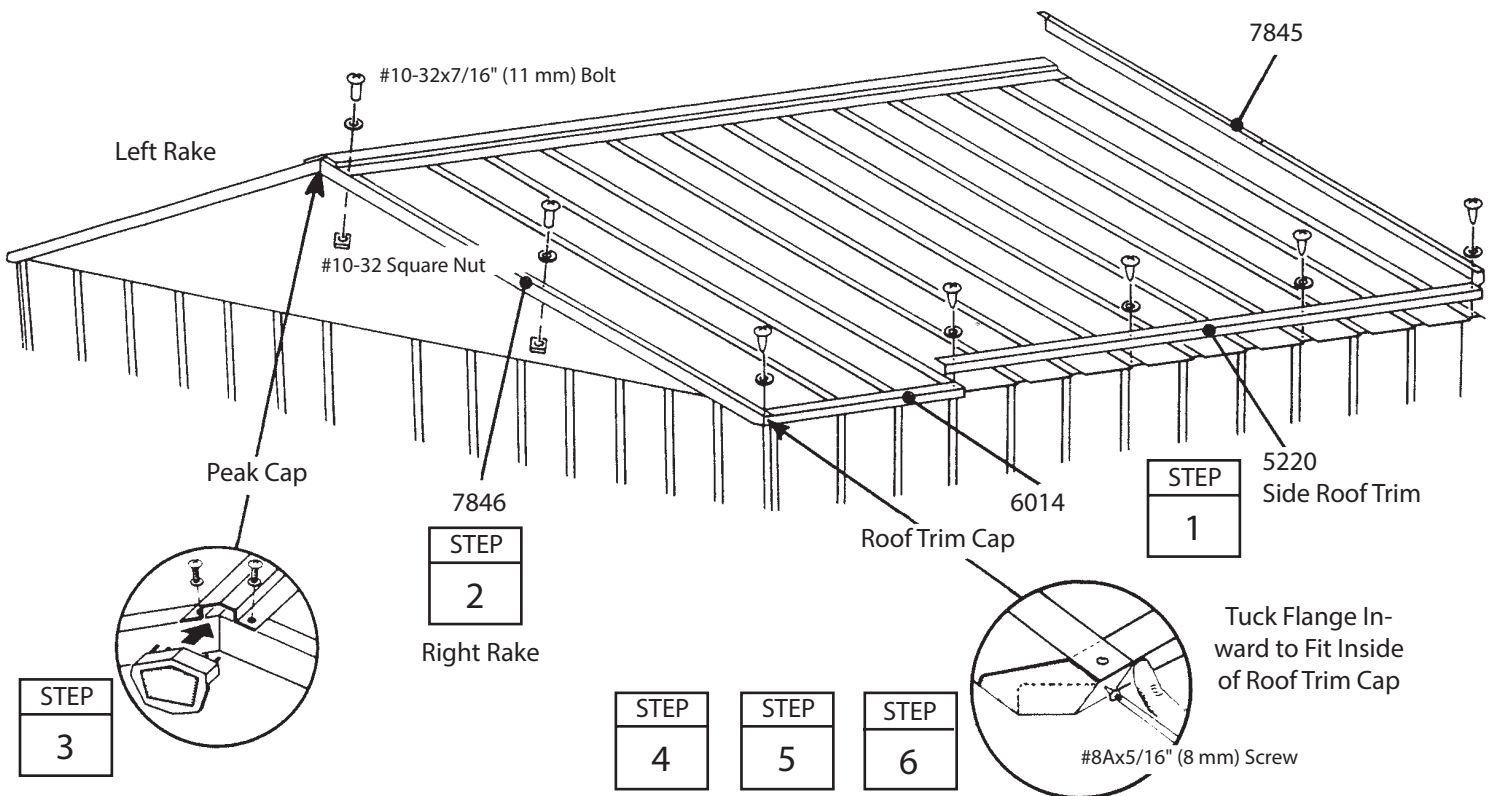
2 Position left and right rake to the ends of roof, noting that rake slips under ridge cap, but fits on top of side roof trim. Fasten rake to the center of roof panel rib using a bolt.

3 Fasten roof panel rib, rake, peak cap and ridge cap together using bolts and nuts. Fasten remaining peak cap in the same manner.

4 Using your thumb and index finger, overbend the bottom flange of the side roof trim at the corner inward enough so the right and left roof trim caps fit onto right and left corners.

5 Fasten rake to side trim using a screw into roof panel.

6 Fasten the roof trim caps to the side trim using a screw.



Step 26

BW37

☒ Parts Needed For ☒

Trim 12x17, 12x24 & 12x31
(3,7 m x 5,2 m / 3,7 m x 7,3 m / 3,7 m x 9,4 m)

- ☒ 5220 Side Roof Trim (see below)
- ☒ 6014 Side Roof Trim (2)
- ☒ 7845 Left Rack (2)
- ☒ 7846 Right Rake (2)

1 Attach the side roof trim to the lower end of the roof panels on each side of the building using screws at each panel overlap.

NOTE

A single screw fastens both trim pieces at the overlap.

2 Position left and right rake to the ends of roof, noting that rake slips under ridge cap, but fits on top of side roof trim. Fasten rake to the center of roof panel rib using a bolt.

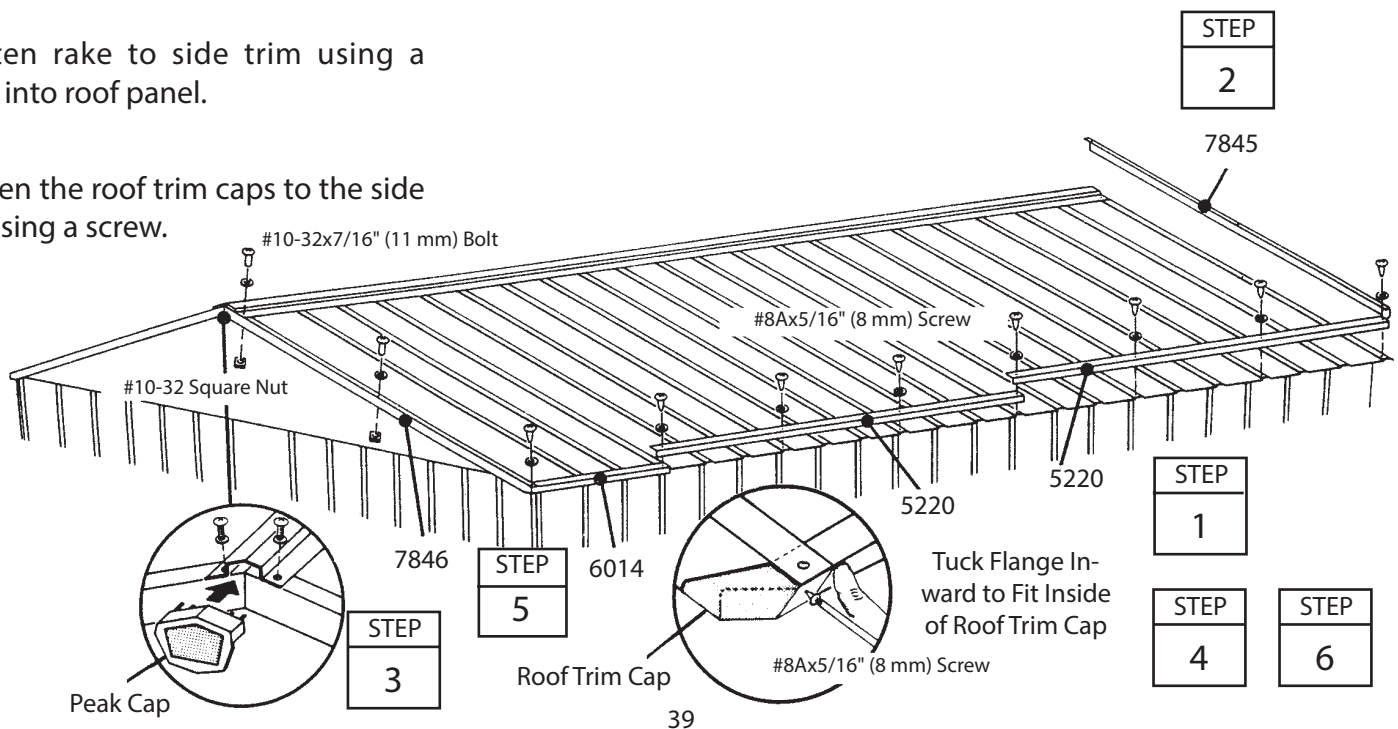
3 Fasten roof panel rib, rake, peak cap and ridge cap together using bolts and nuts. Fasten remaining peak cap in the same manner.

4 Using your thumb and index finger, overbend the bottom flange of the side roof trim at the corner inward enough so the right and left roof trim caps fit onto right and left corners.

5 Fasten rake to side trim using a screw into roof panel.

6 Fasten the roof trim caps to the side trim using a screw.

IF YOU ARE BUILDING A 12x24 (3,7 m x 7,3 m)
Install additional side roof trim 5220 towards rear of building.
IF YOU ARE BUILDING A 12x31 (3,7 m x 9,4 m)
Install 2 additional side roof trim 5220 pieces towards rear of building.



Step 27

☒ Parts Needed For ☒ Side or Rear Entry Door All Sizes

- ☒ 10474 Door (1)
- ☒ 3719 Door Handle Brace (1)
- ☒ 7947 Vertical Door Brace (1)
- ☒ 10497 Horizontal Door Brace (2)

BW38

NOTE

To assemble door to slide from left to right (opening), position door with handle holes on left side of door. Position handle holes on right side if door is to slide from right to left (opening).

Each bolt and screw in the door requires a washer.

1 Attach the door handle brace and handle to the door with 1 bolt as shown. Don't tighten the bolt yet.

2 Swing the door handle brace up to the hole in the center of the door and insert a screw.

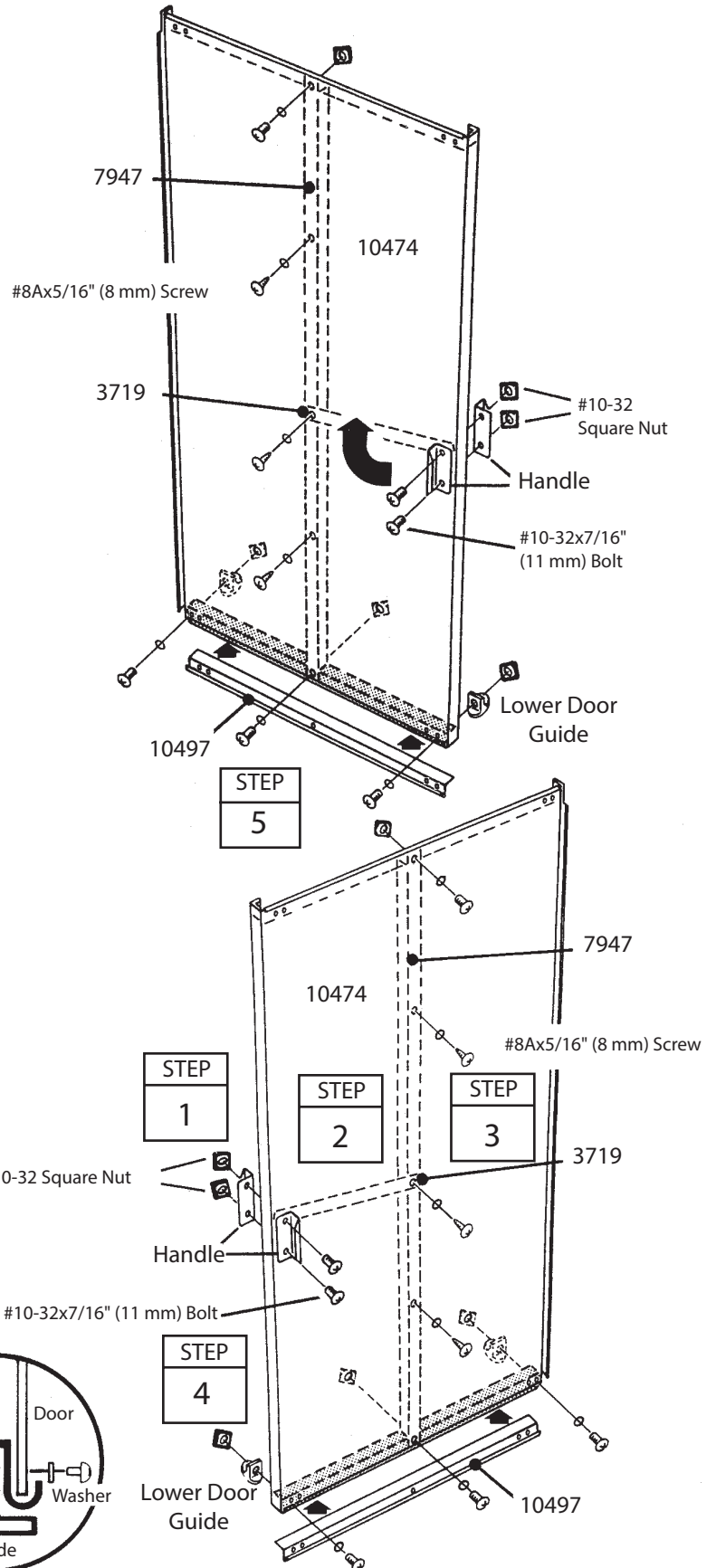
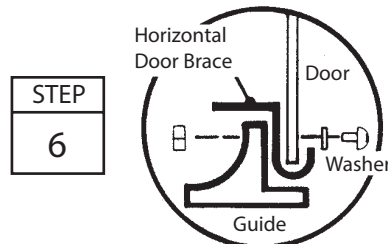
3 Hold the vertical door brace against the center of the inside surface of the door and turn the screw to hold the vertical door brace and door handle brace in place. Fasten to door above and below center connection using 2 screws.

4 Insert a second bolt in the door handle and tighten both bolts.

5 Put a horizontal door brace onto the top edge and bottom edge and fasten with 1 bolt in the center.

6 Attach the lower door guides and bolts as shown.

END VIEW
SHOWING:



Step 28

☒ Parts Needed For ☒

Side or Rear Entry Door All Sizes

☒ Door Assembly (1)

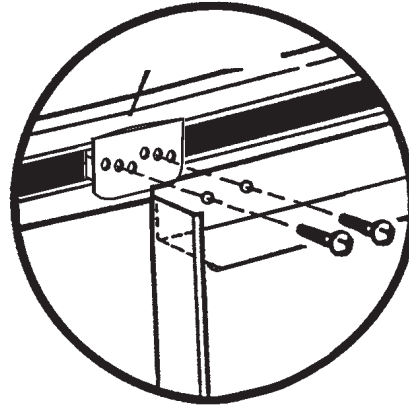
BW39

1 From inside the building, put the bottom of the door behind door jamb into the lower door track.

2 Position the top of the door so that the holes in the door line up with the holes in the door slides.

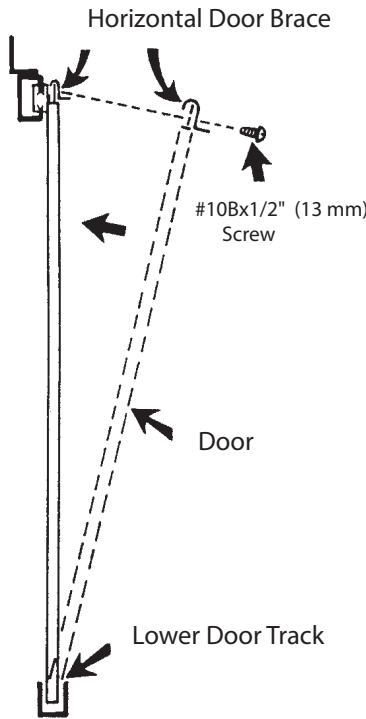
3 Fasten the door to the door slides using two #10Bx1/2" (13 mm) screws per door slide.

NOTE
The holes in the door slides allow you to adjust the door. Place the door in the middle holes.

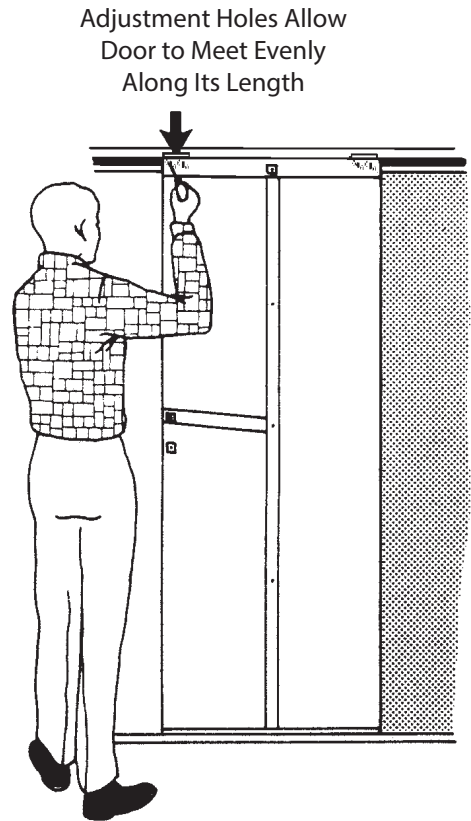


STEP
2

STEP
3

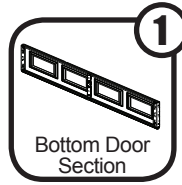
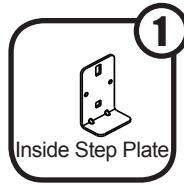


STEP
1



Step 29: Bottom Panel

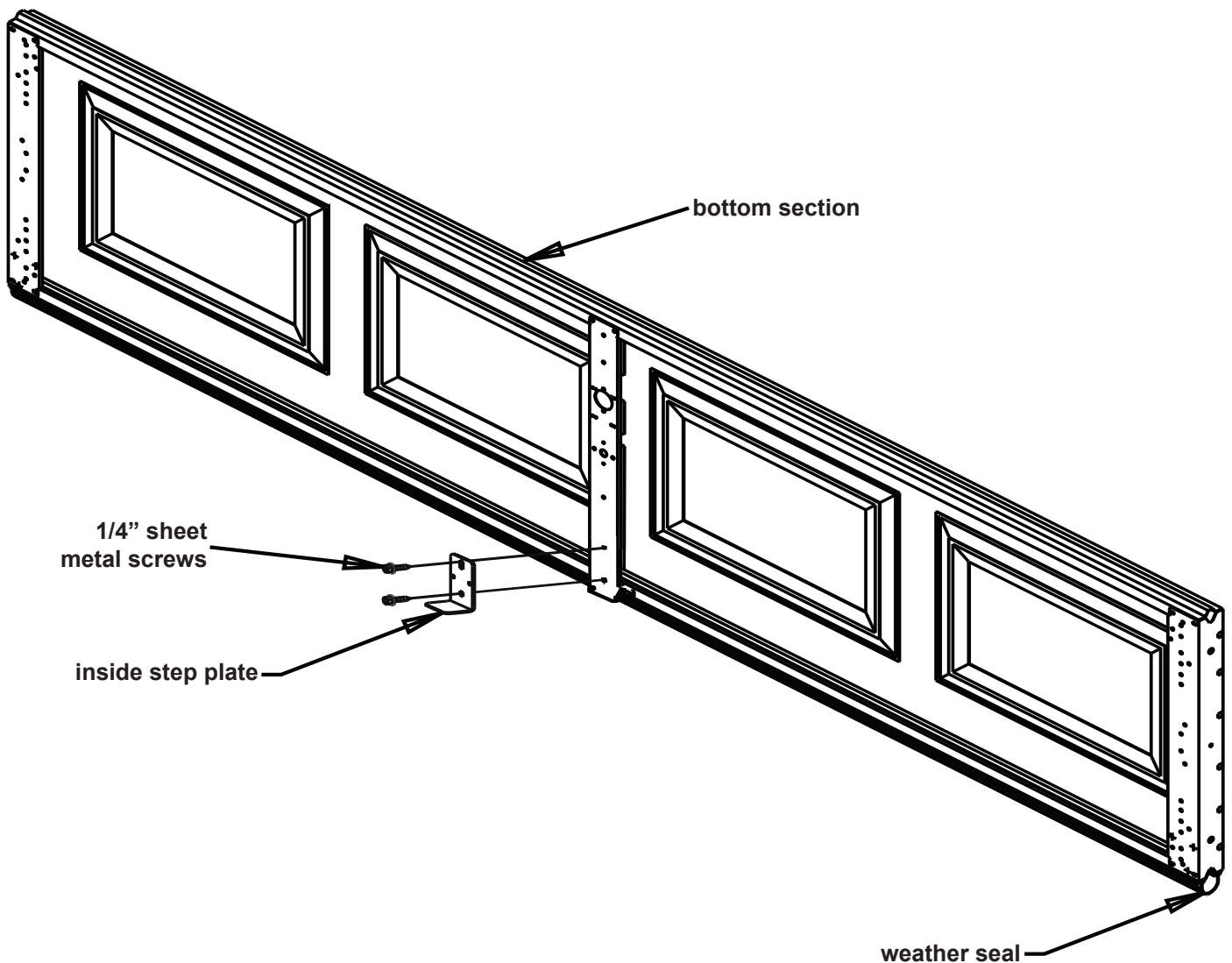
You will need for this page:



Bottom Gripping Point/Step Plate Kit

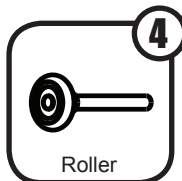
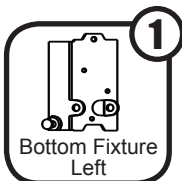
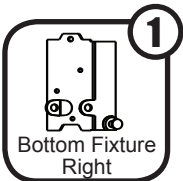
Look for the section with weather seal attached to it. This is the bottom section. Set it on table face down (the face is the outside of the door).

- 1 Use screws to attach the Inside Step Plate to the Bottom Section as shown.



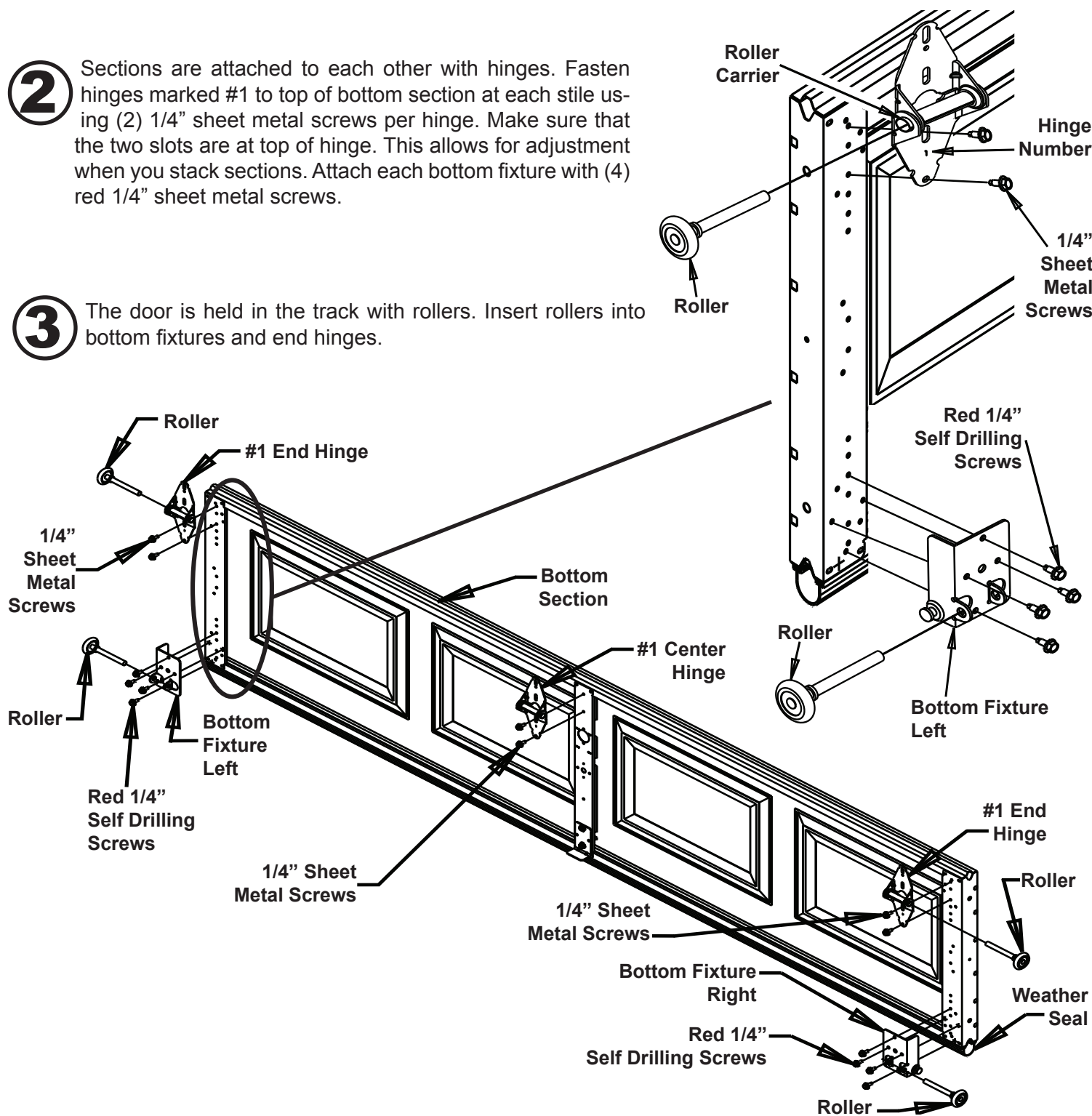
Step 29: Bottom Panel

You will need for this page:



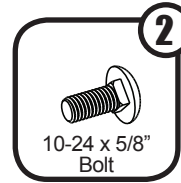
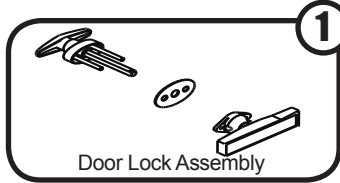
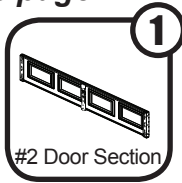
- 2** Sections are attached to each other with hinges. Fasten hinges marked #1 to top of bottom section at each stile using (2) 1/4" sheet metal screws per hinge. Make sure that the two slots are at top of hinge. This allows for adjustment when you stack sections. Attach each bottom fixture with (4) red 1/4" sheet metal screws.

- 3** The door is held in the track with rollers. Insert rollers into bottom fixtures and end hinges.



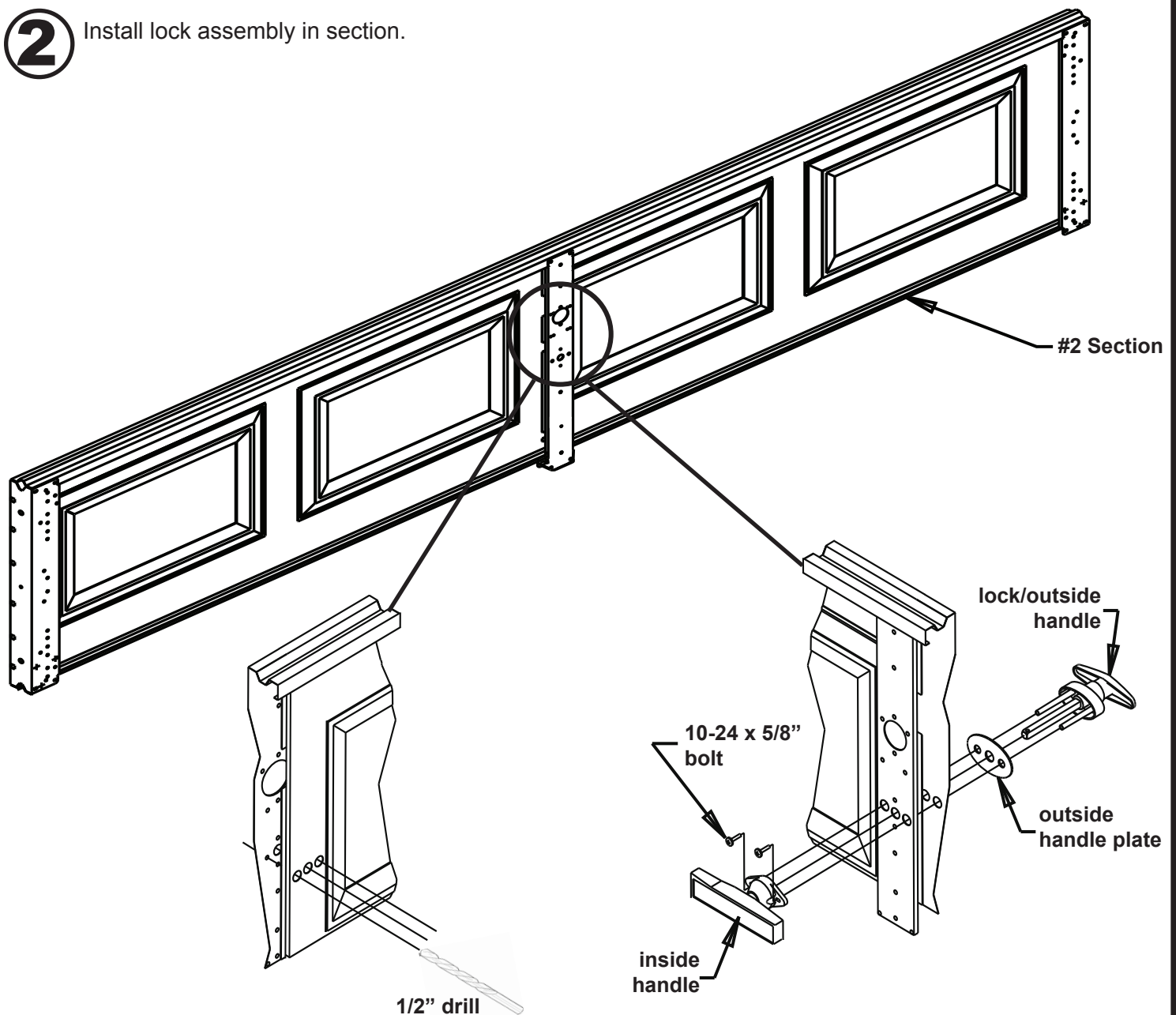
Step 30: #2 Panel

You will need for this page:



1 Drill three 1/2" holes into the section face. Drill completely through the section for the middle hole.

2 Install lock assembly in section.

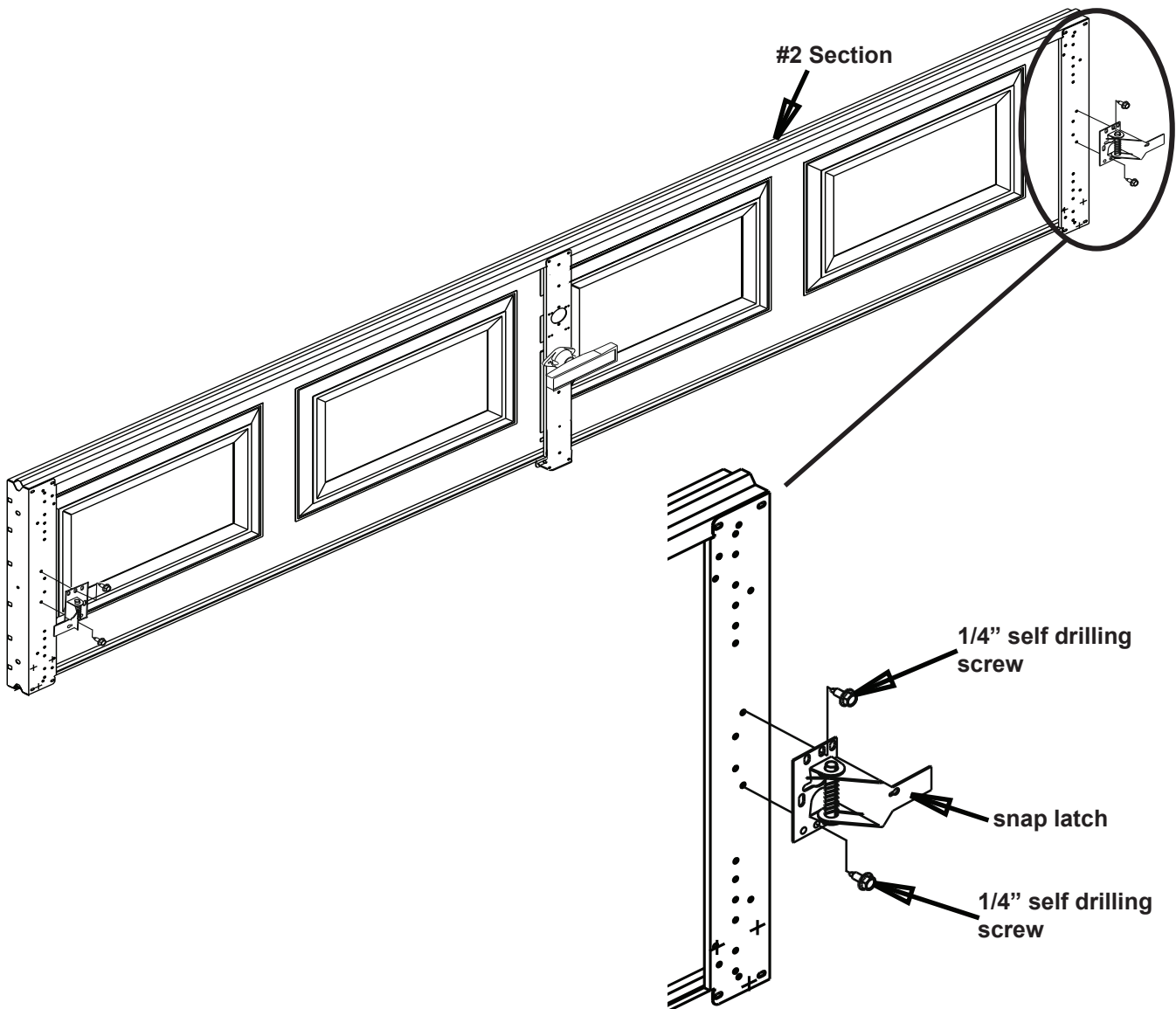


Step 30: #2 Panel

You will need for this page:

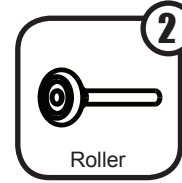


- 3** Attach a snap latch assembly to each end stile using two 1/4" self drilling screws.

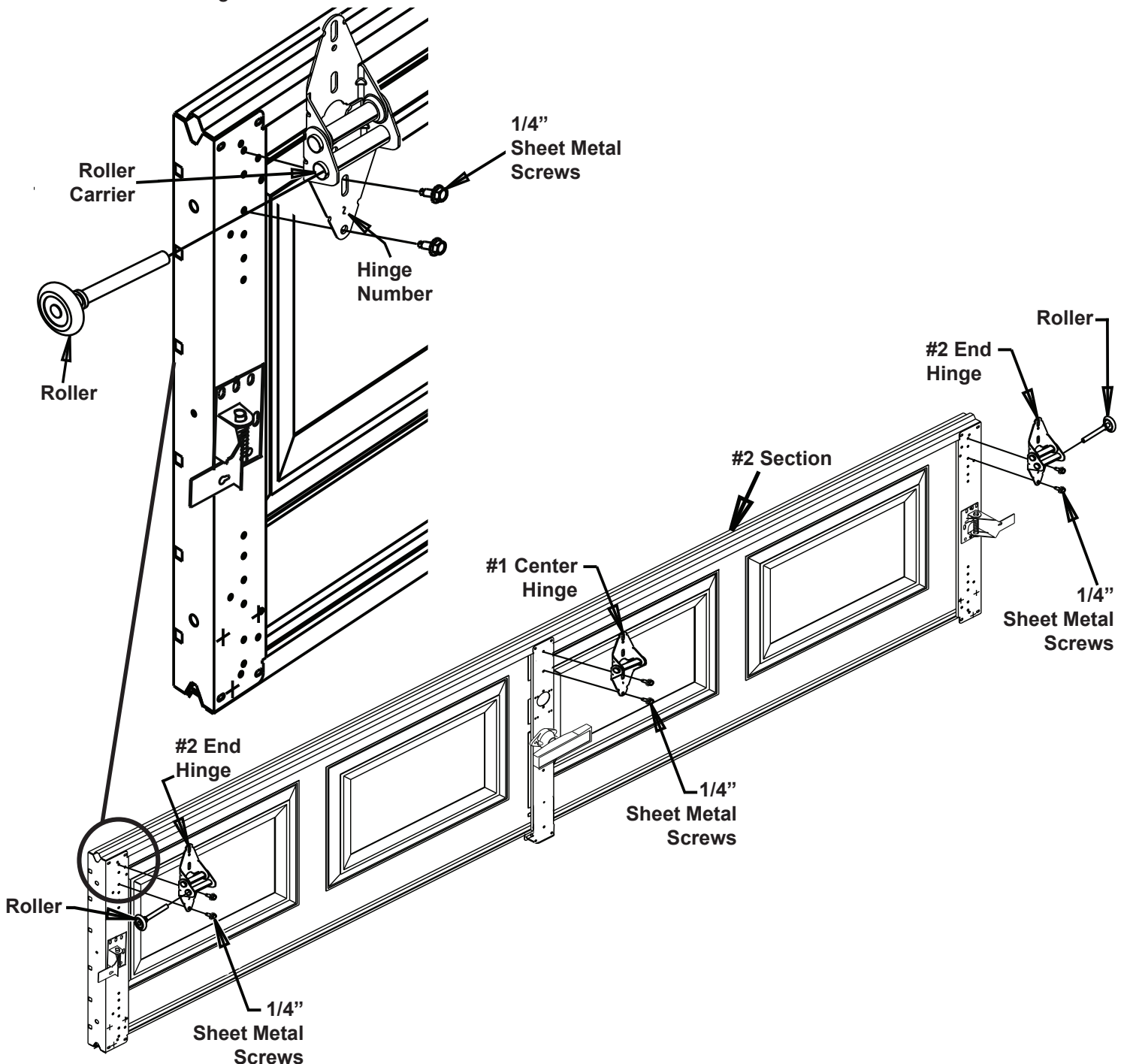


Step 30: #2 Panel

You will need for this page:



- 4** Fasten end hinges marked #2 to top of section on each end stile. Use (2) 1/4" sheet metal screws per hinge. Make sure that the two slots are at top of hinge. Insert a roller into each end hinge as shown. Attach #1 center hinge.



Step 31: #3 Panel

You will need for this page:



#3 Door Section



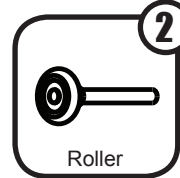
#3 End Hinge



#1 Center Hinge

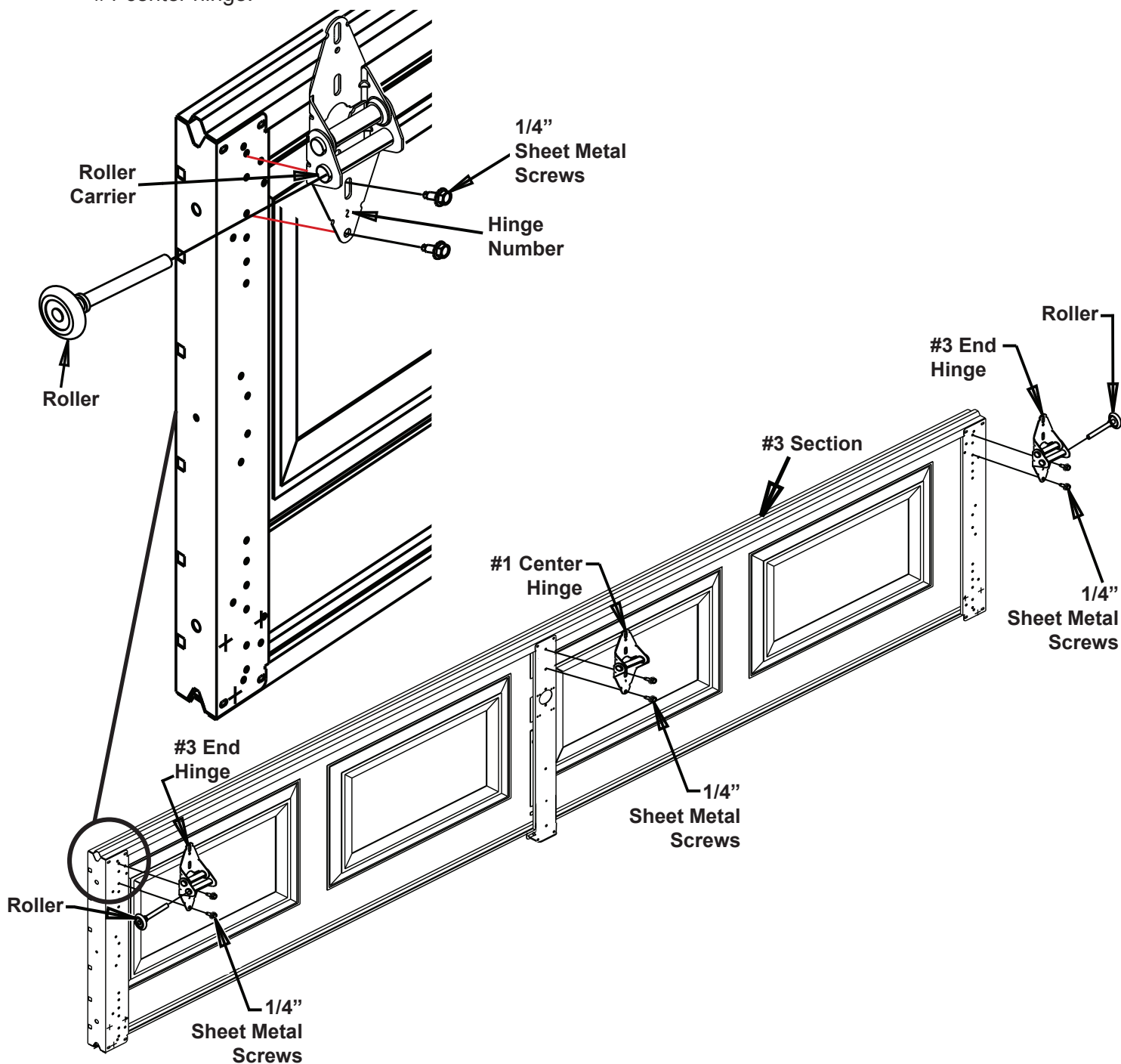


1/4" Sheet Metal Screw



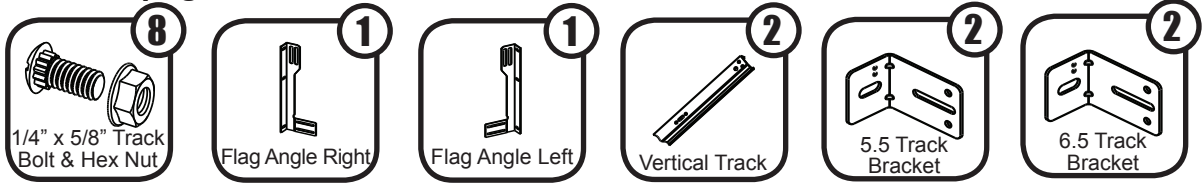
Roller

- 1** Fasten end hinges marked #3 to top of section on each end stile. Use (2) 1/4" sheet metal screws per hinge. Make sure that the two slots are at top of hinge. Insert a roller into each end hinge as shown. Attach #1 center hinge.



Step 32: Track Installation

You will need for this page:

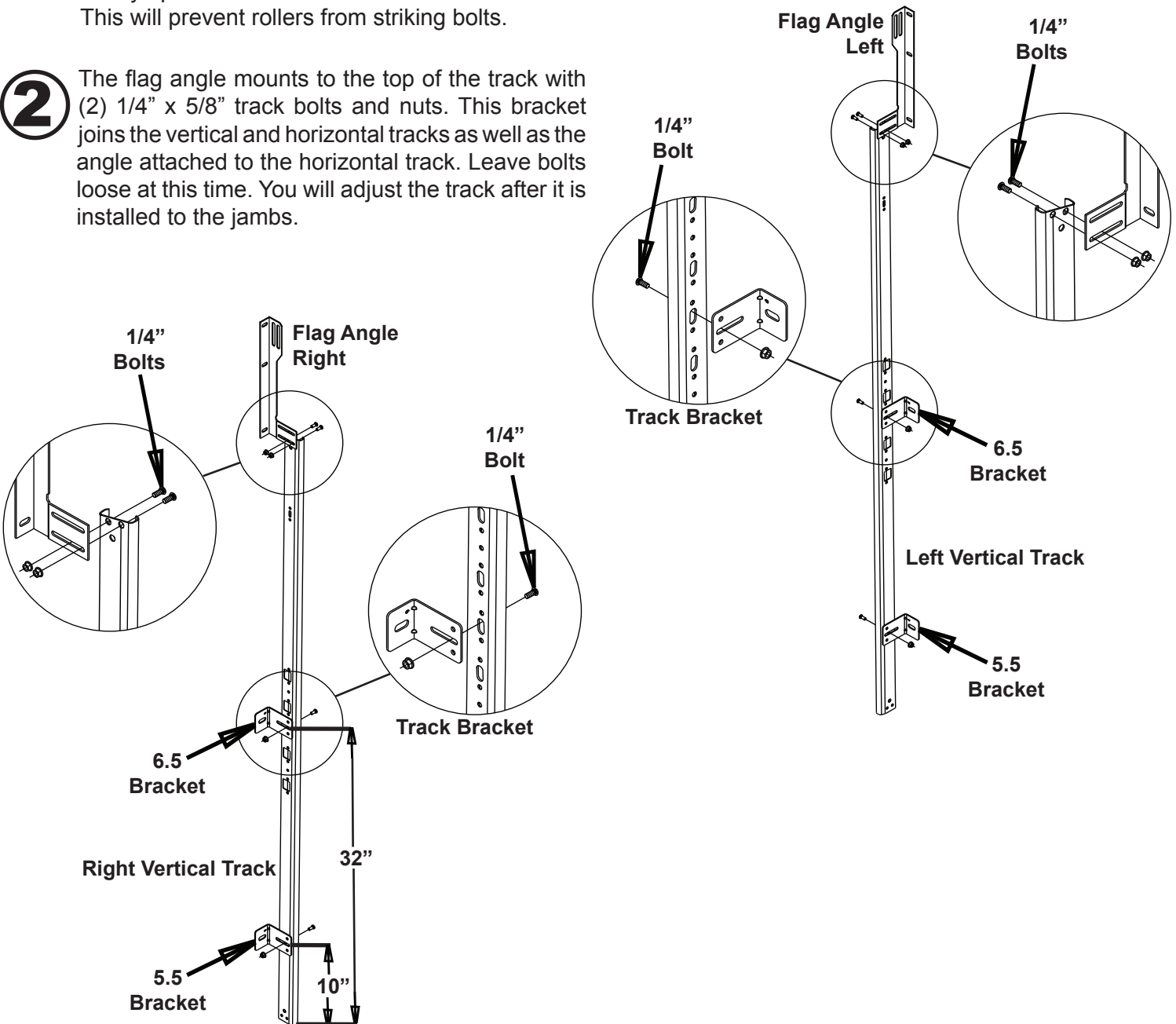


Prepare the Vertical Tracks.

1 The top of the vertical track must pitch back from the jamb for door to seal properly. This spacing is set by use of graduated track brackets. Attach but **do not fully tighten** brackets to track with 1/4" x 5/8" track bolts and nuts. The detail is shown with two different track brackets.

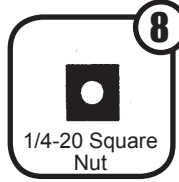
Always place heads of bolts to inside of the track. This will prevent rollers from striking bolts.

2 The flag angle mounts to the top of the track with (2) 1/4" x 5/8" track bolts and nuts. This bracket joins the vertical and horizontal tracks as well as the angle attached to the horizontal track. Leave bolts loose at this time. You will adjust the track after it is installed to the jambs.

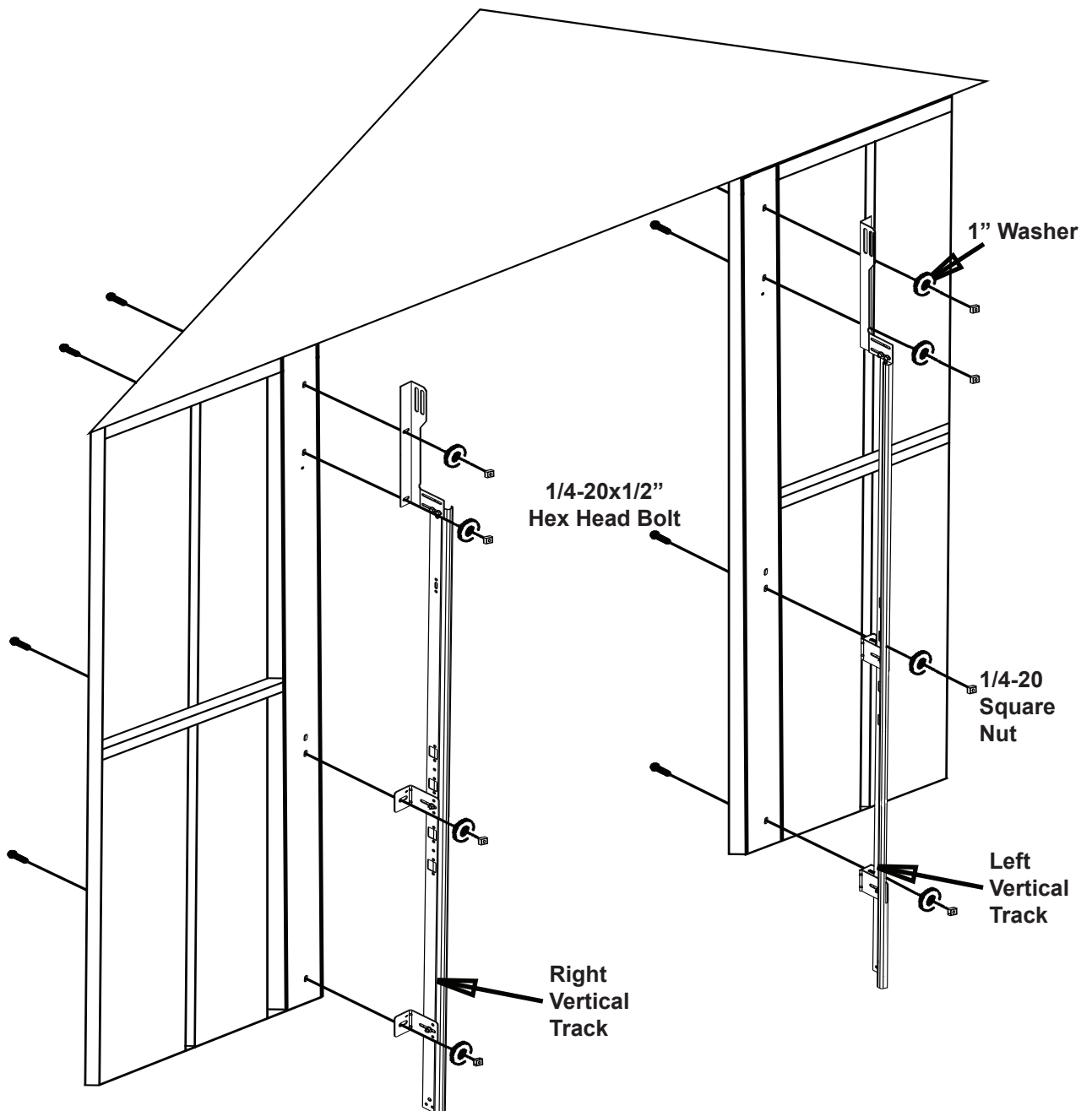


Step 32: Track Installation

You will need for this page:



- 3** Fasten the vertical track and flag angle assembly to the door jamb using 1/4" Bolt and Hex Nut with 1" Washer. Follow the orientation as shown below. Do this for both the right and left vertical tracks.



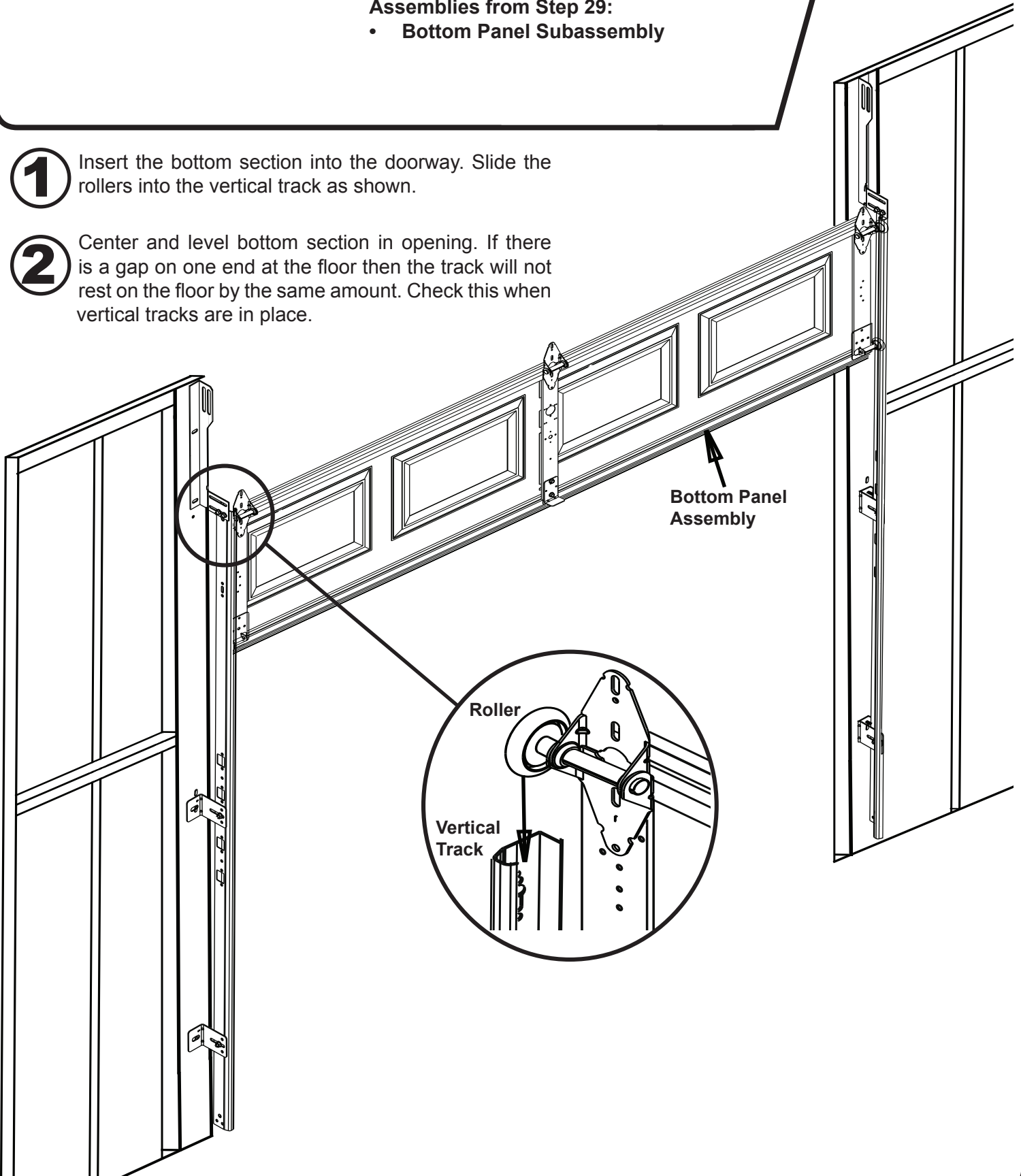
Step 33: Insert Panels

You will need for this page:

Assemblies from Step 29:

- **Bottom Panel Subassembly**

- 1** Insert the bottom section into the doorway. Slide the rollers into the vertical track as shown.
- 2** Center and level bottom section in opening. If there is a gap on one end at the floor then the track will not rest on the floor by the same amount. Check this when vertical tracks are in place.

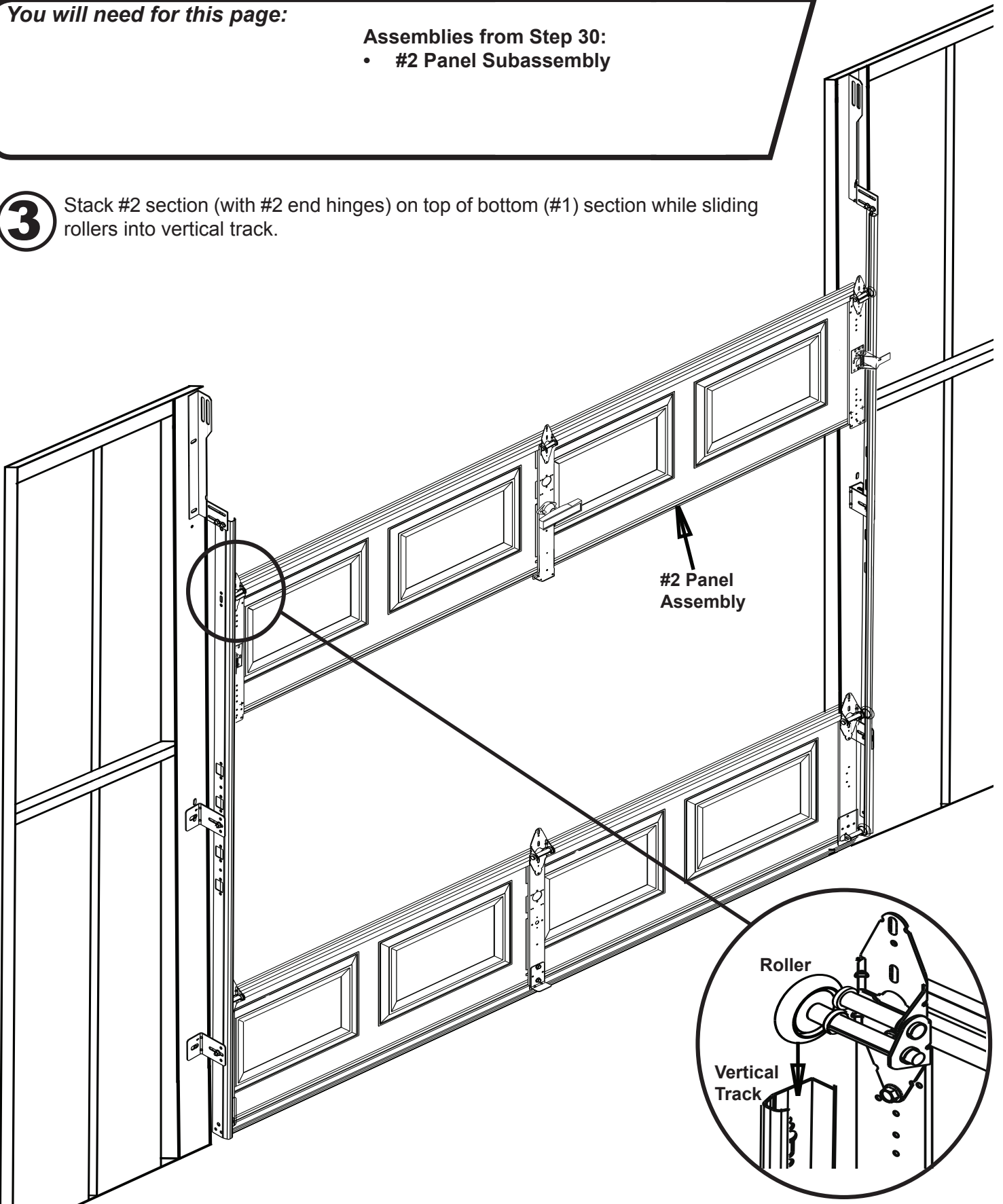


Step 33: Insert Panels

You will need for this page:

- Assemblies from Step 30:
- #2 Panel Subassembly

3 Stack #2 section (with #2 end hinges) on top of bottom (#1) section while sliding rollers into vertical track.

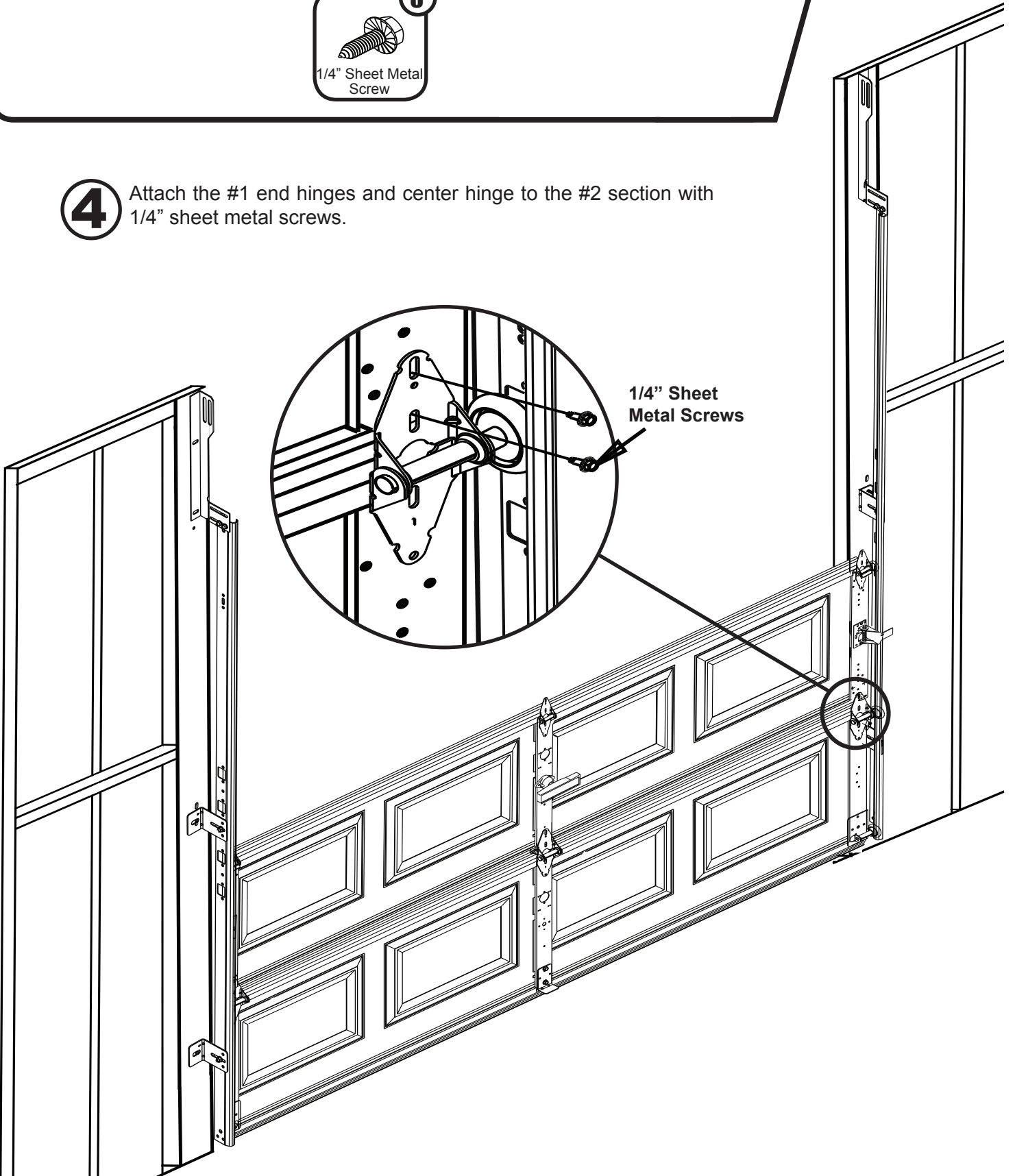


Step 33: Insert Panels

You will need for this page:



4 Attach the #1 end hinges and center hinge to the #2 section with 1/4" sheet metal screws.

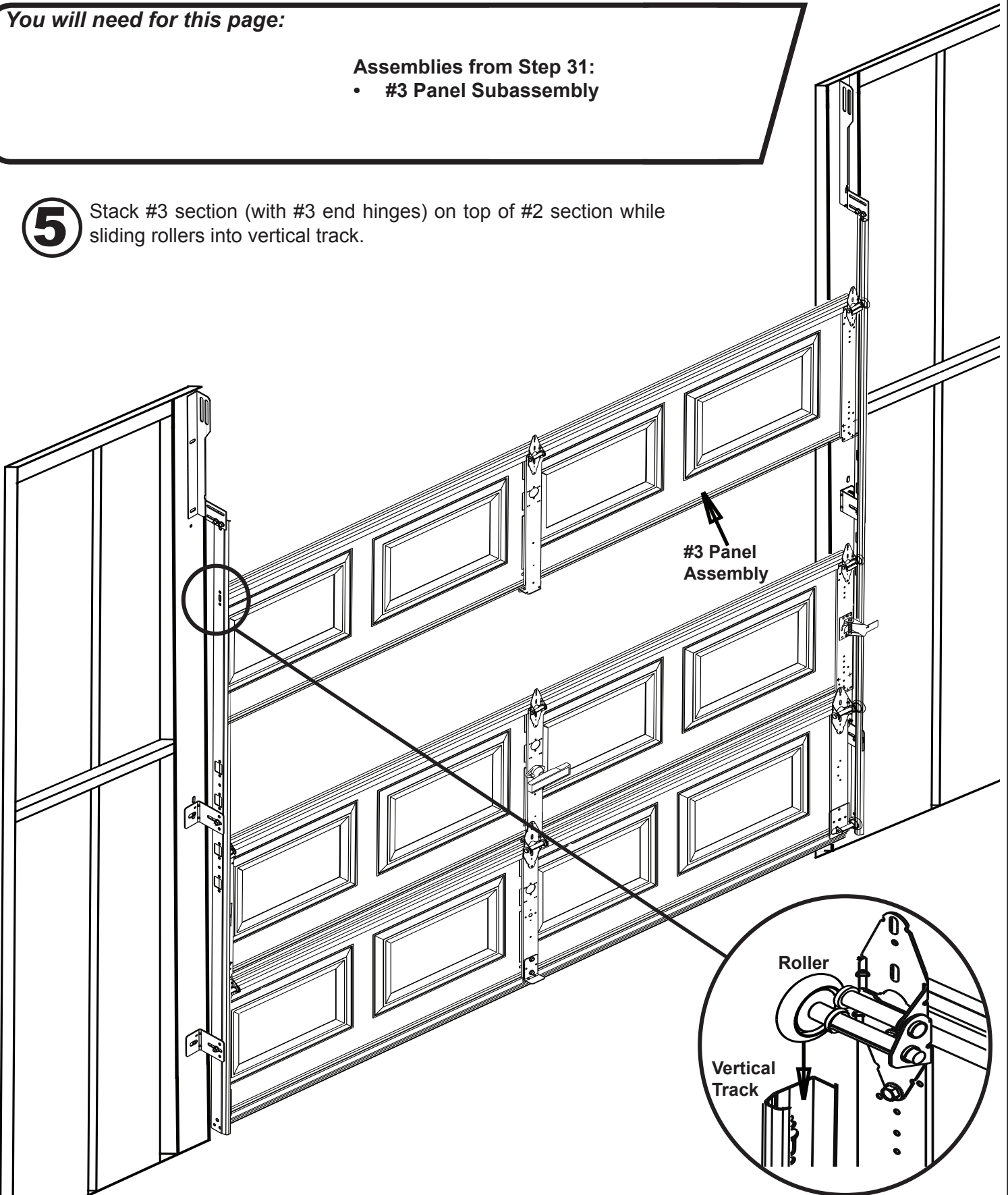


Step 33: Insert Panels

You will need for this page:

- Assemblies from Step 31:
- #3 Panel Subassembly

- 5** Stack #3 section (with #3 end hinges) on top of #2 section while sliding rollers into vertical track.

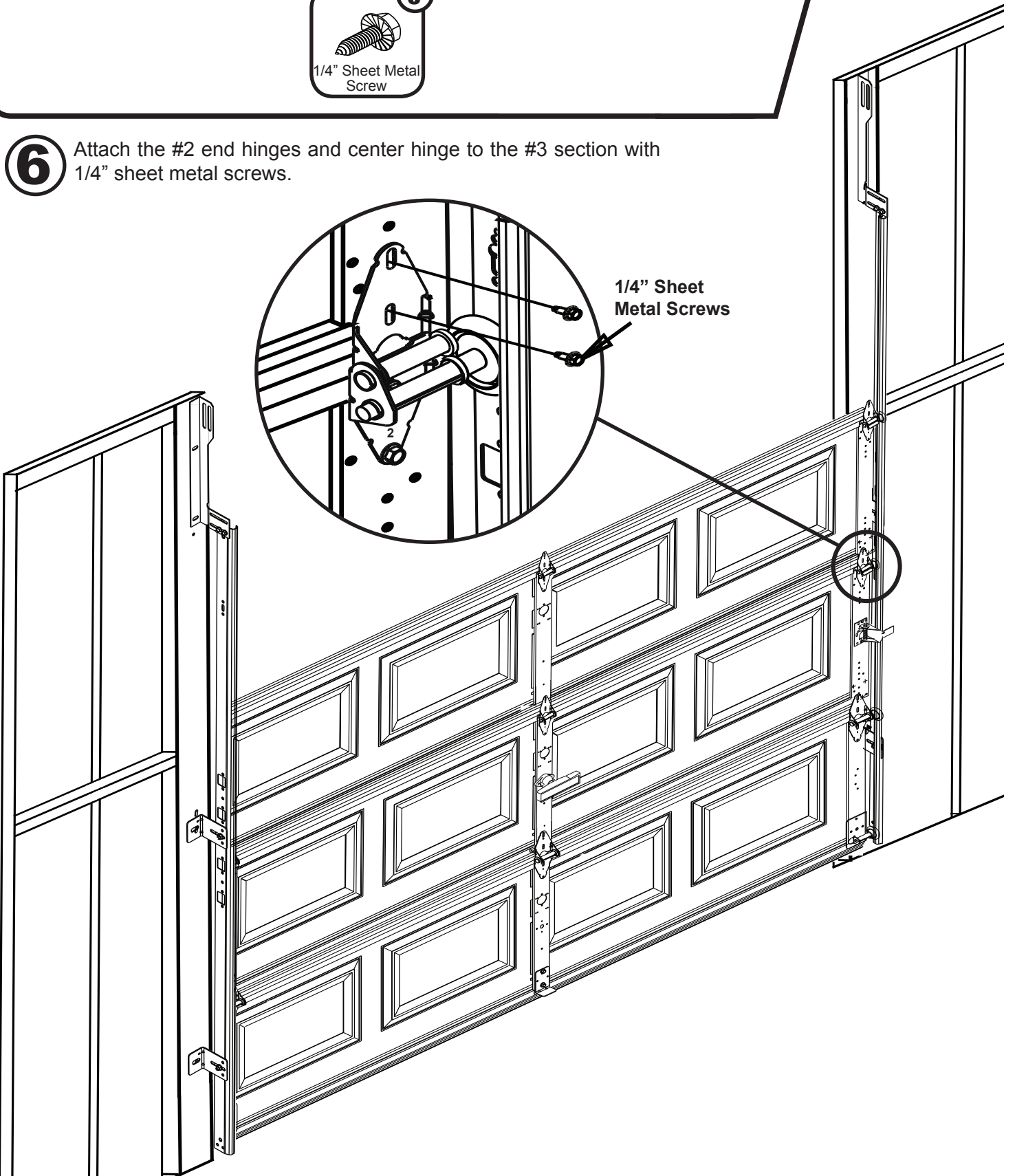
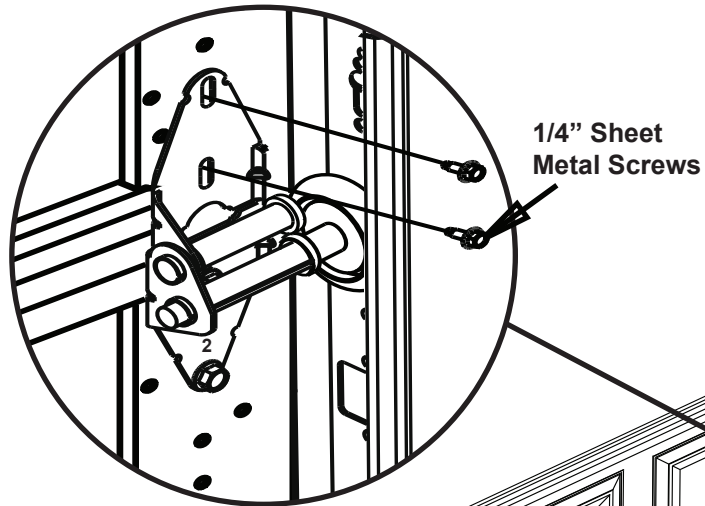


Step 33: Insert Panels

You will need for this page:



- 6** Attach the #2 end hinges and center hinge to the #3 section with 1/4" sheet metal screws.

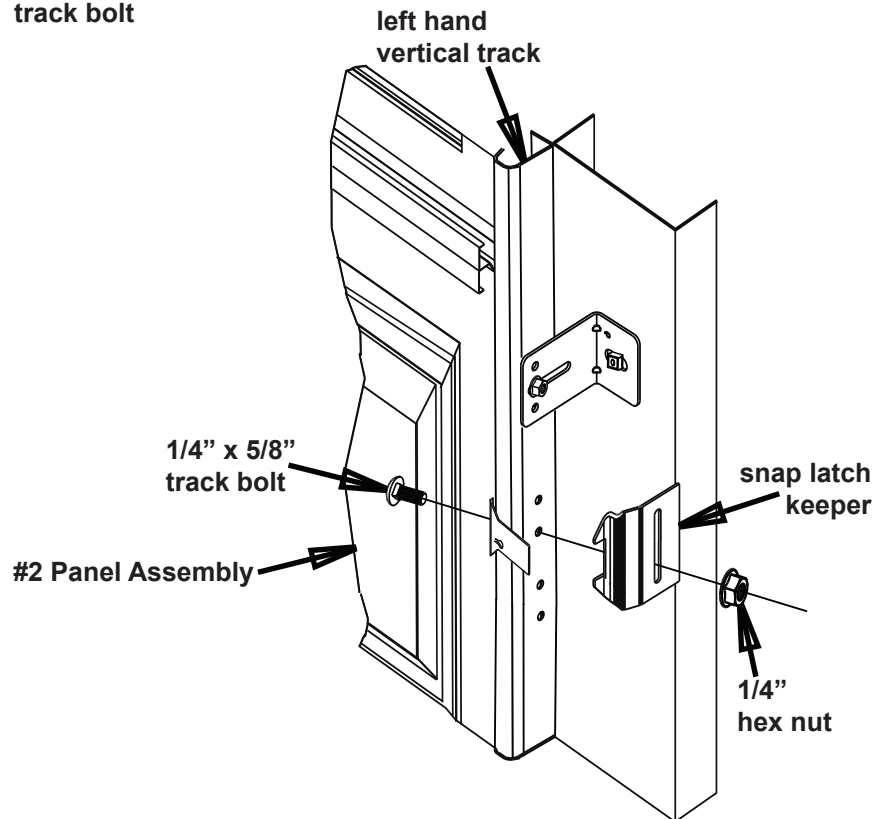
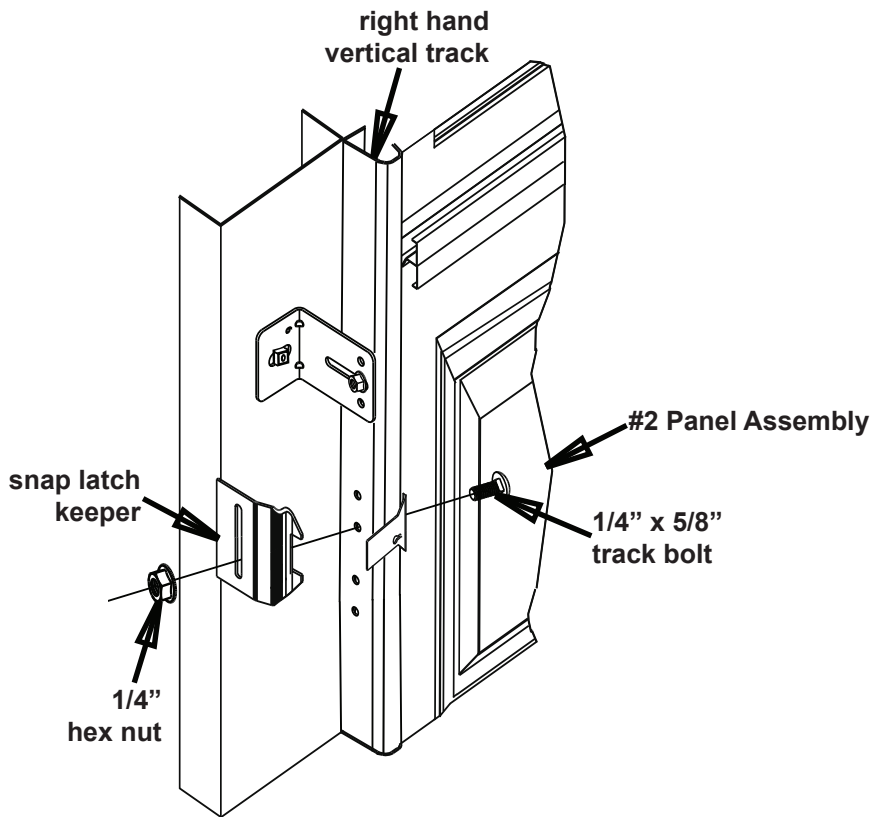


Step 34: Snap Latch Keeper

You will need for this page:

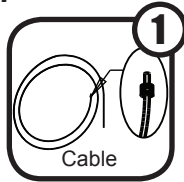


- 1 Attach a snap latch keeper to each vertical track using a bolt and nut.

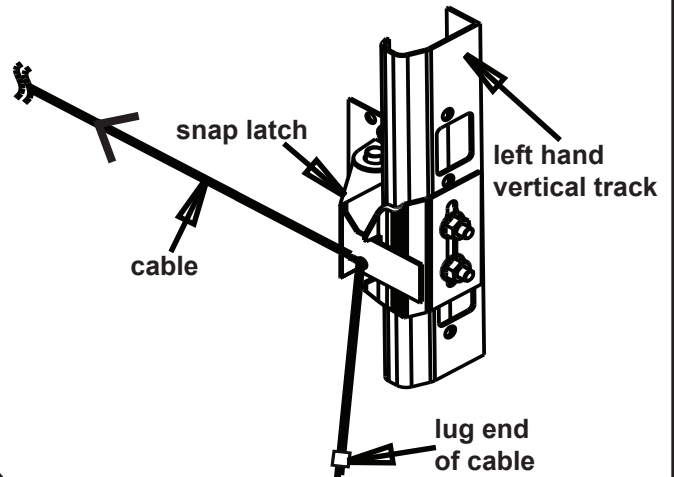


Step 35: Thread Cable

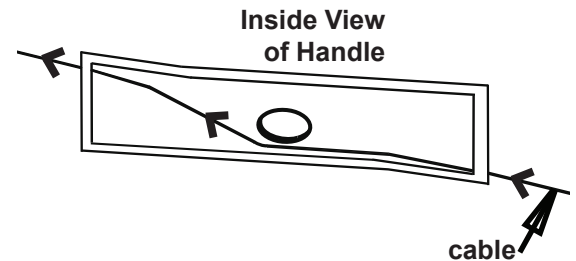
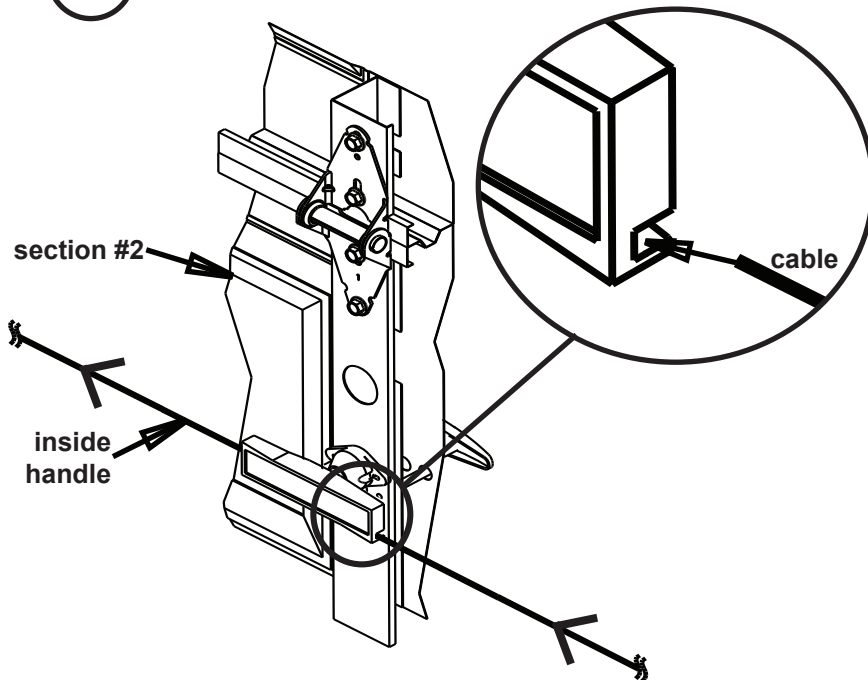
You will need for this page:



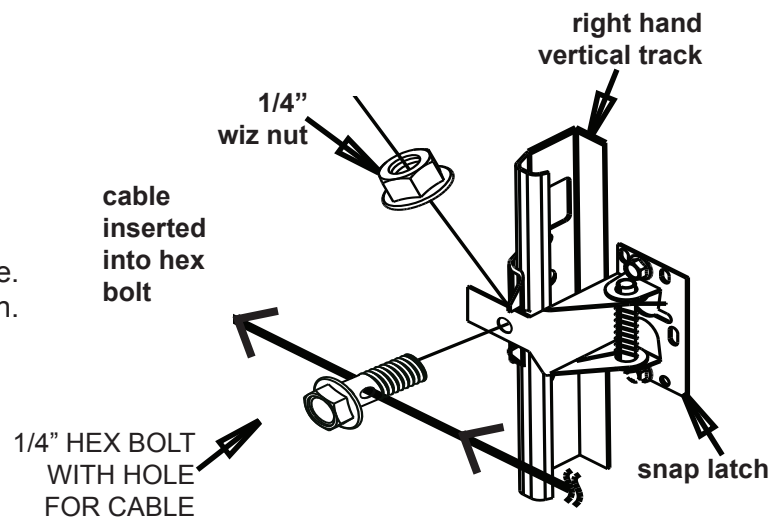
- 1** Insert cable through left snap latch hole. Place a lug on the end of the cable to prevent it from sliding out.



- 2** Feed the cable through the inside handle.

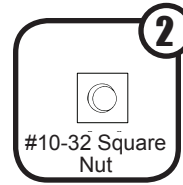
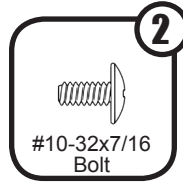
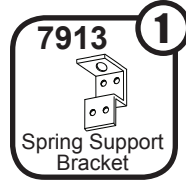


- 3** Thread cable through 1/4" hex bolt hole. Insert the hex bolt into the snap latch. Tighten with 1/4" wiz nut.

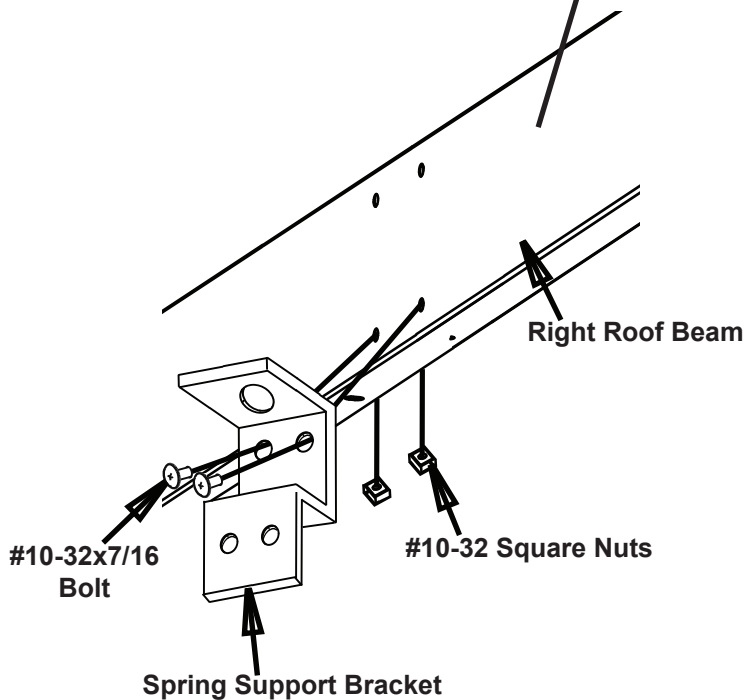
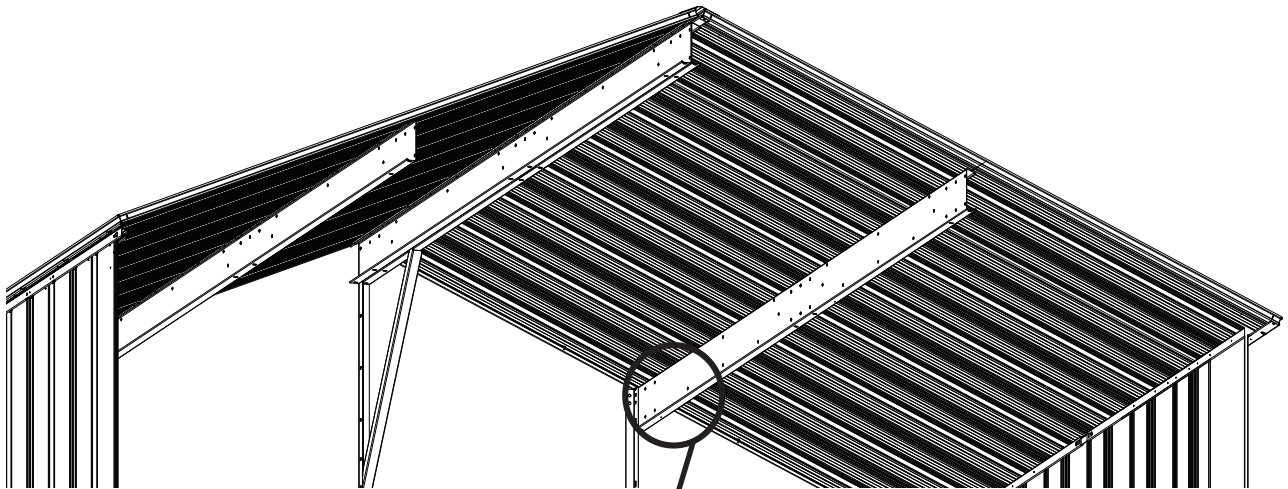


Step 36: Horizontal Track

You will need for this page:

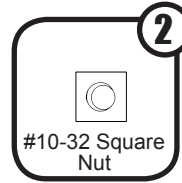
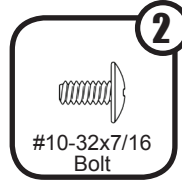
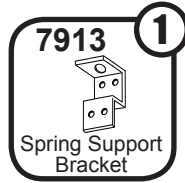


- 1** Attach the spring support bracket to the back of the right roof beam using two bolts and square nuts.

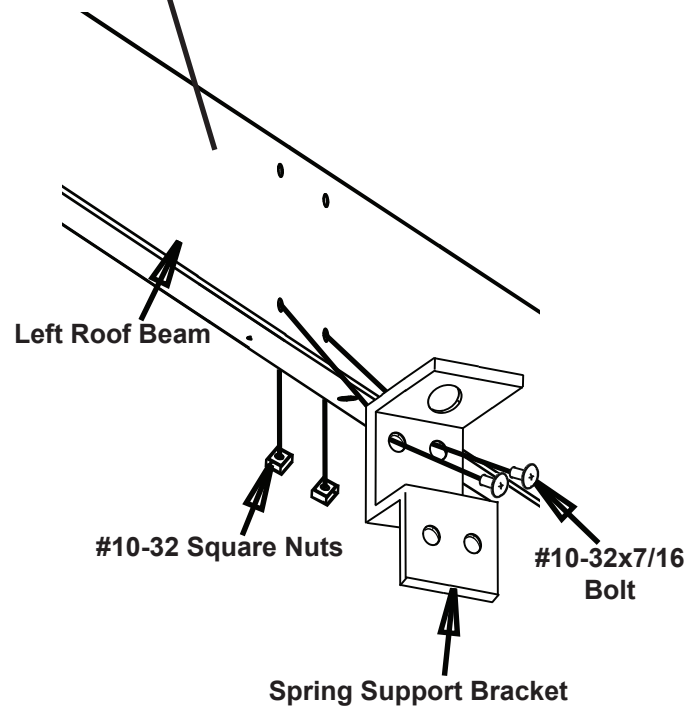
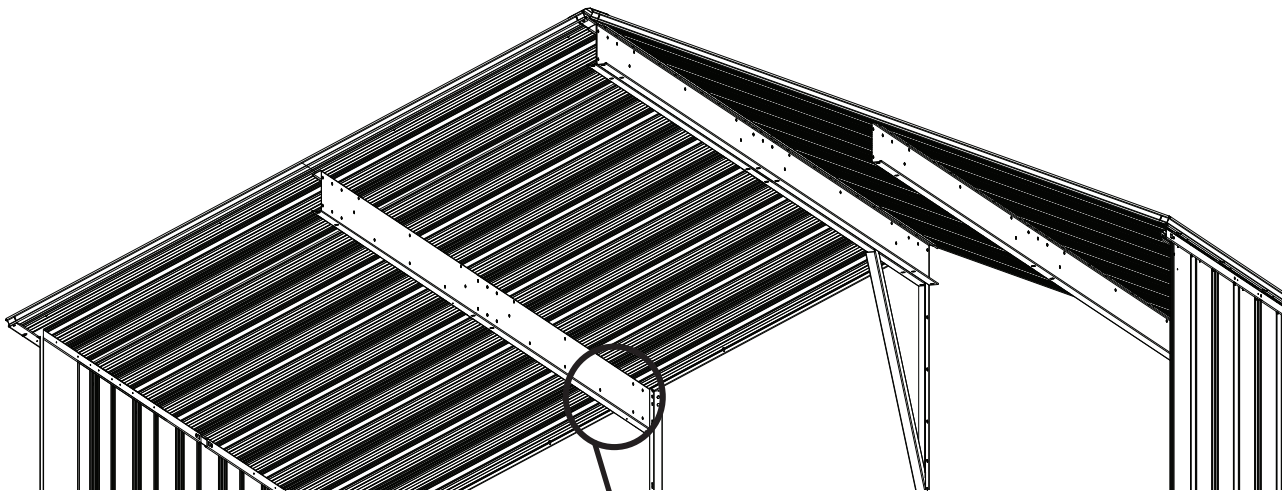


Step 36: Horizontal Track

You will need for this page:



- 2** Attach the spring support bracket to the back of the left roof beam using two bolts and square nuts.



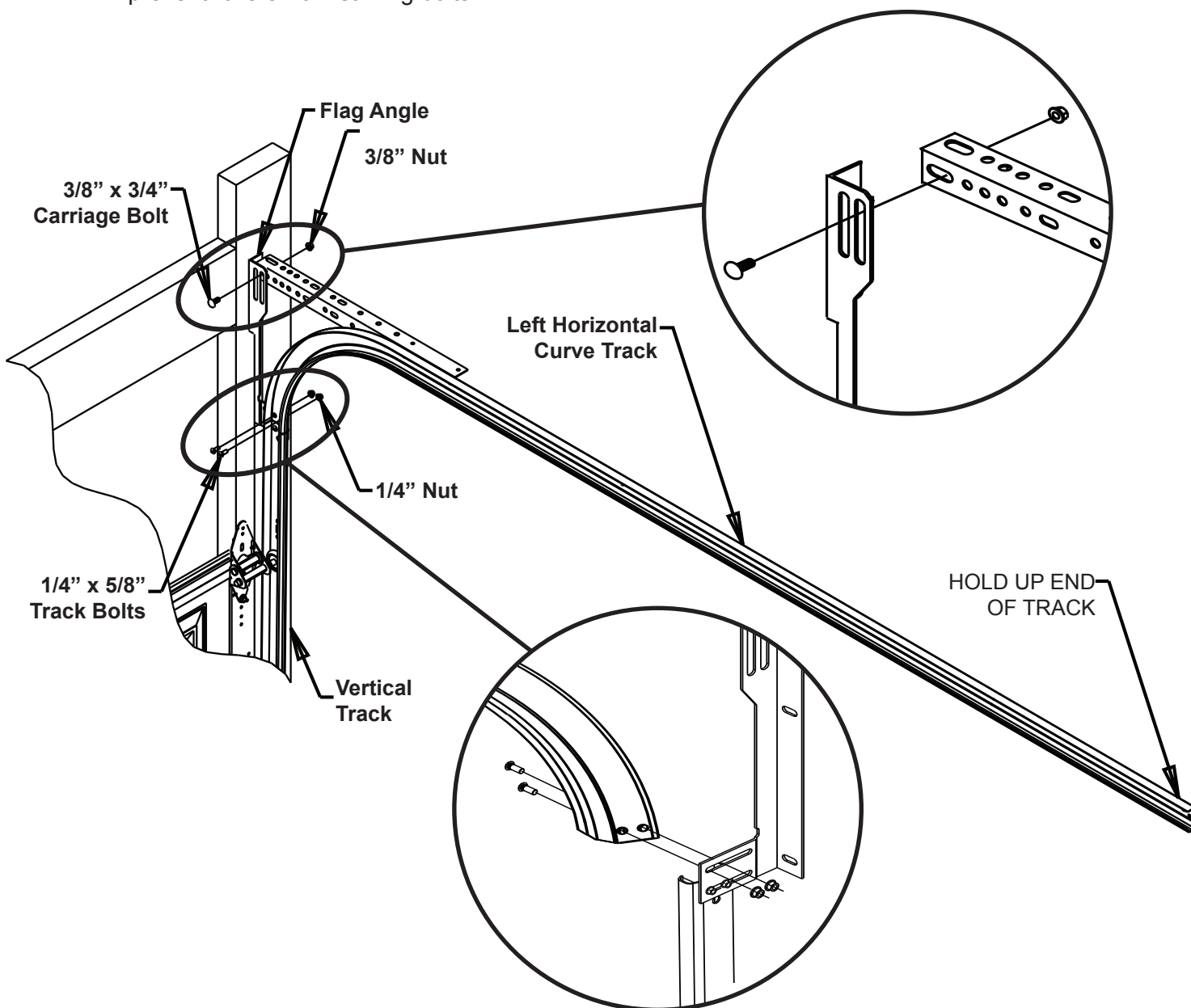
Step 36: Horizontal Track

You will need for this page:



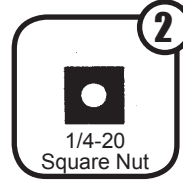
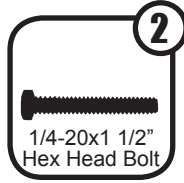
3 Have another person hold the end of the left horizontal curve track. Fasten the front of the track to flag angle with (2) 1/4" x 5/8" track bolts and nuts. Always place heads of bolts to inside of the track. This will prevent rollers from striking bolts.

4 Fasten angle (attached to horizontal curve track) to flag angle with 3/8" x 3/4" carriage bolt and nut. Always place heads of bolts on same side as the door sections. This will prevent door from striking bolts.



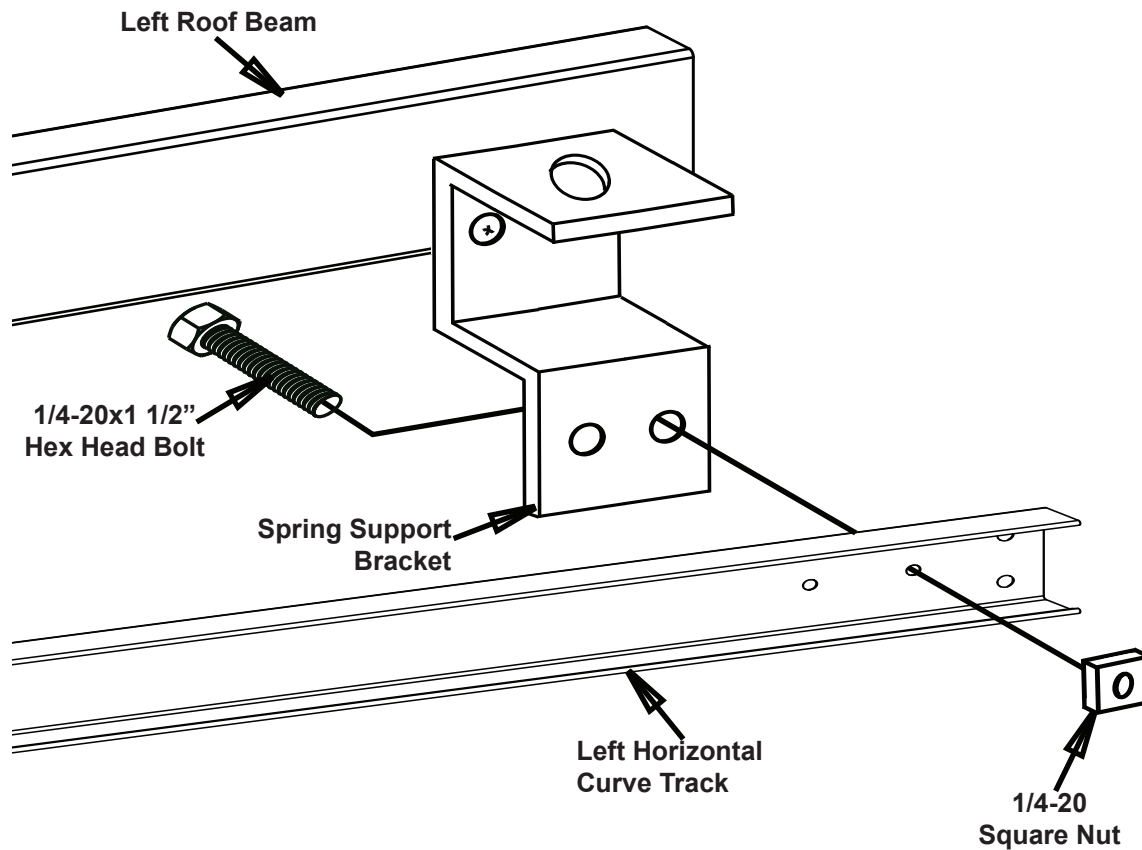
Step 36: Horizontal Track

You will need for this page:



5 Attach the end of the Left Horizontal Curve Track to the Spring Support Bracket using a long bolt and hex nut as shown.

6 Repeat for Right Horizontal Track.



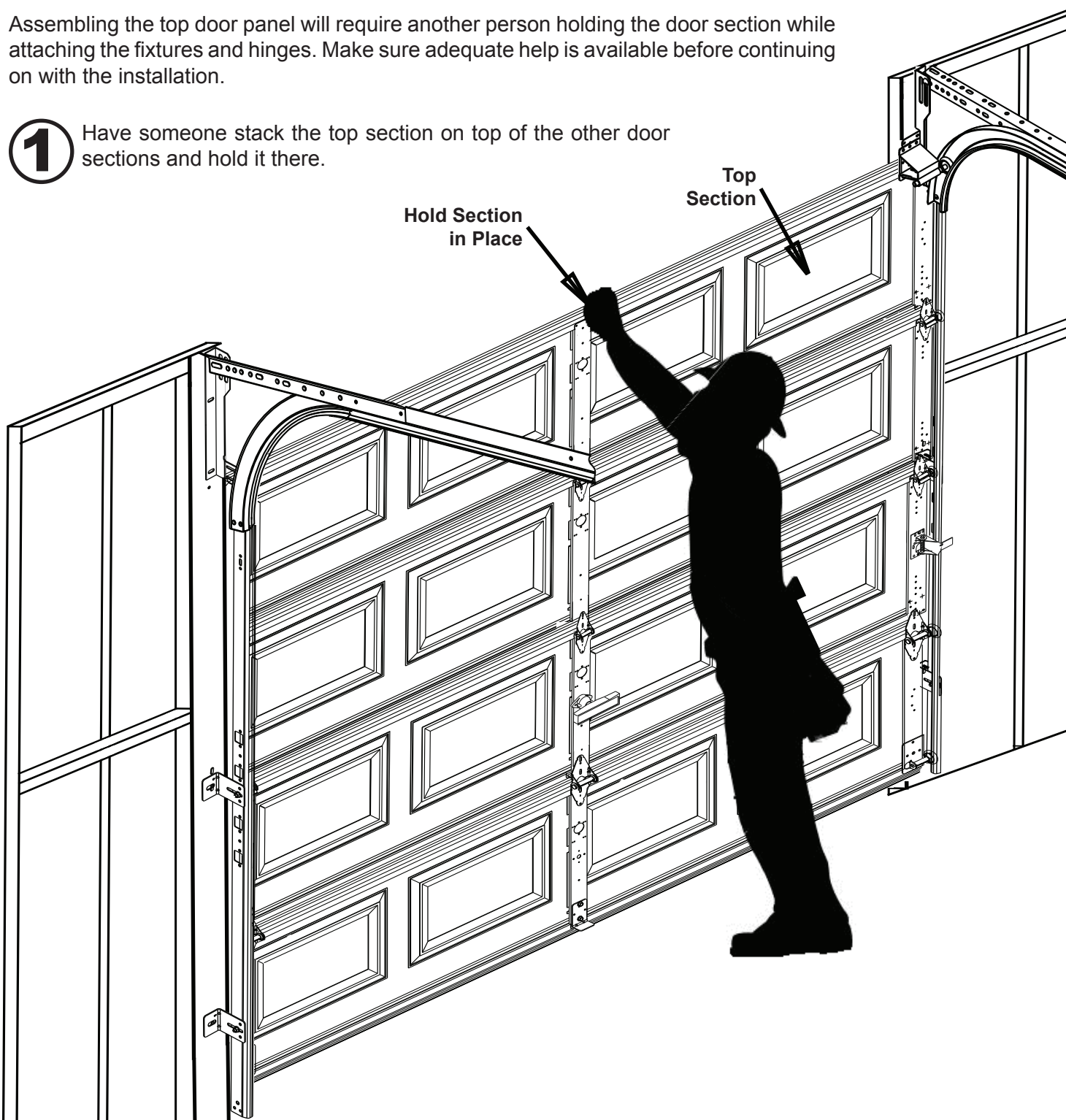
Step 37: Insert Top Panel

You will need for this page:



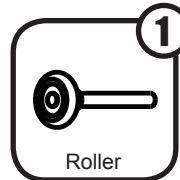
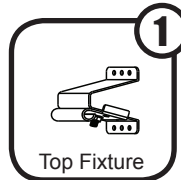
Assembling the top door panel will require another person holding the door section while attaching the fixtures and hinges. Make sure adequate help is available before continuing on with the installation.

- 1** Have someone stack the top section on top of the other door sections and hold it there.

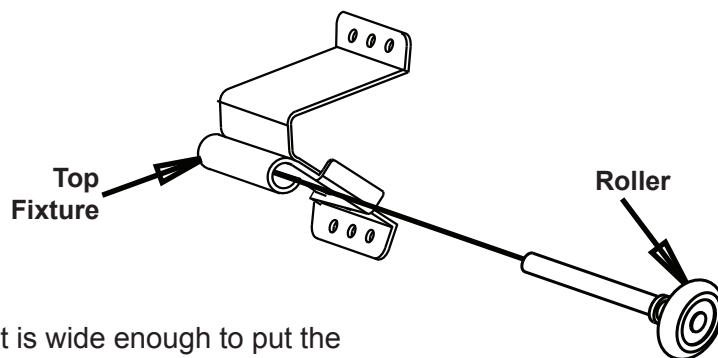


Step 37: Insert Top Panel

You will need for this page:

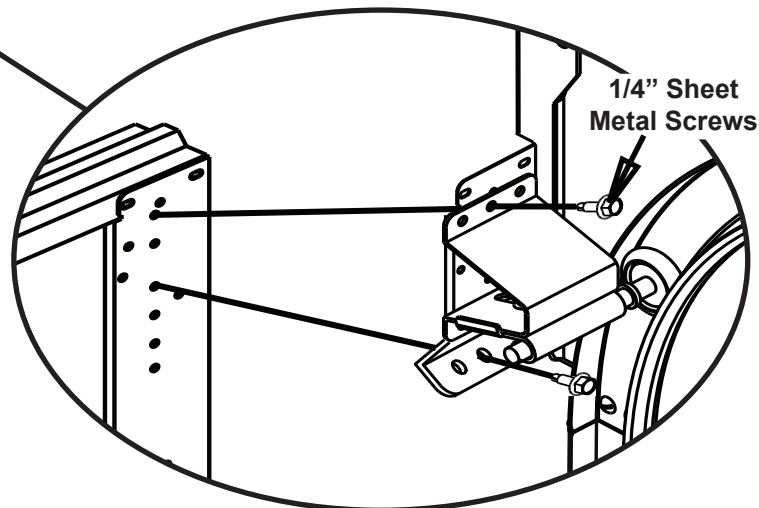
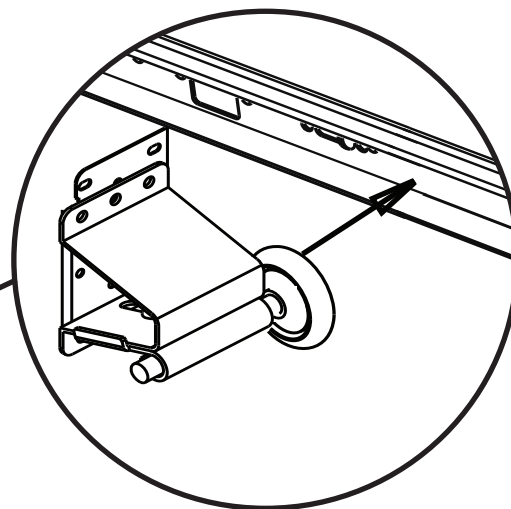
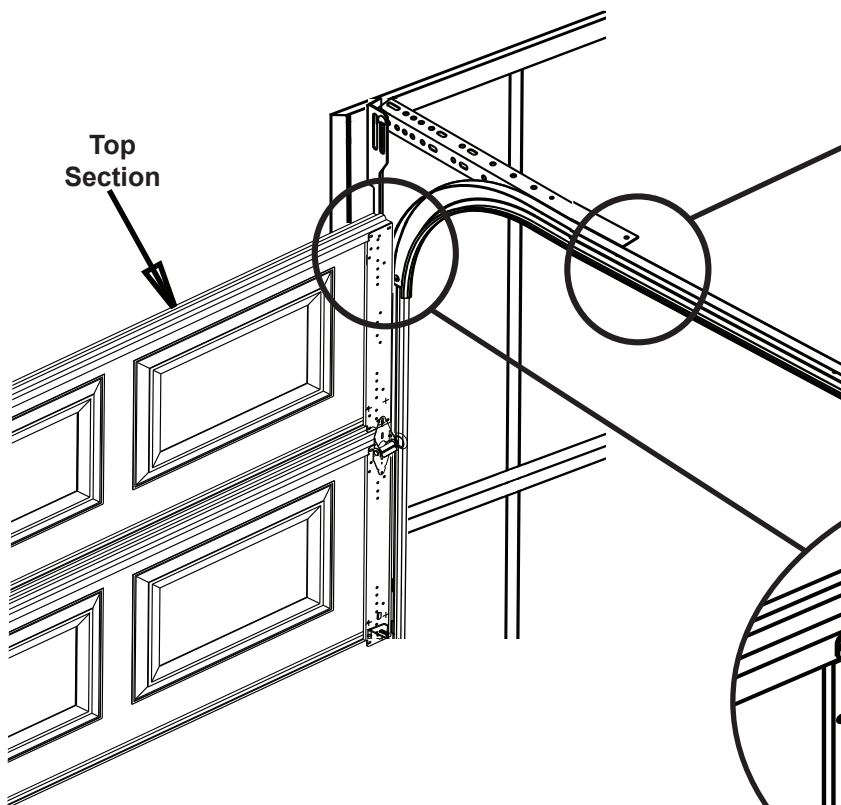


- 2** Place a roller inside of a top fixture.



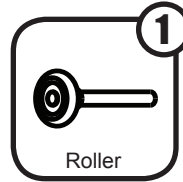
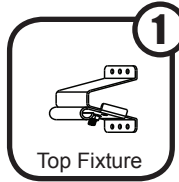
- 3** Slide the roller into the horizontal track where it is wide enough to put the roller as shown. You may have to angle it in.

- 4** Slide the roller through the track so it lines up with the top track. Attach the top fixture to the top section using 1/4" sheet metal screws.

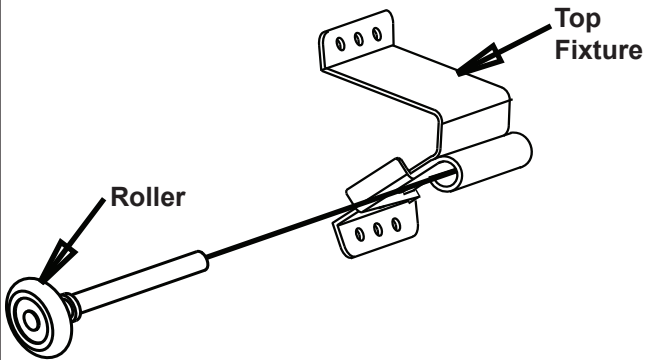


Step 37: Insert Top Panel

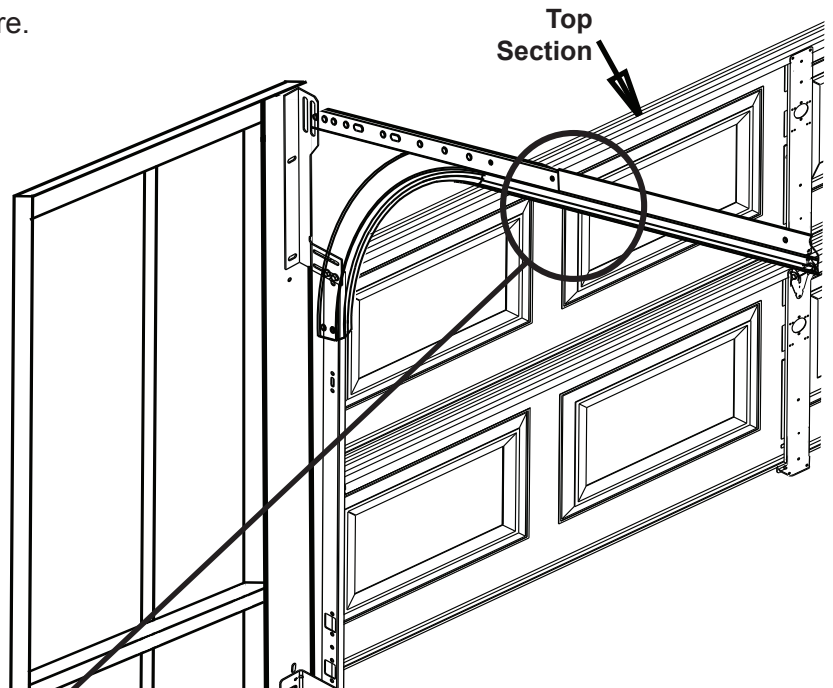
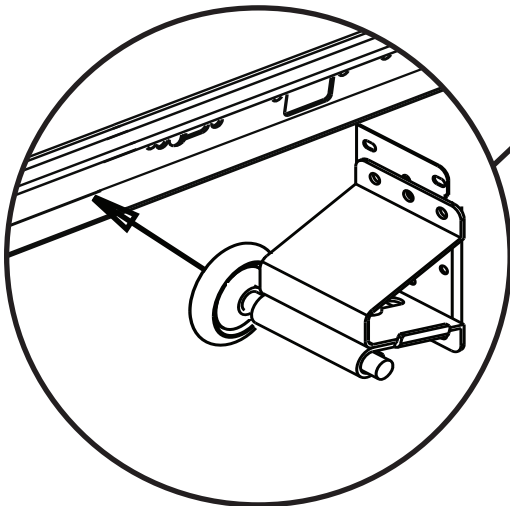
You will need for this page:



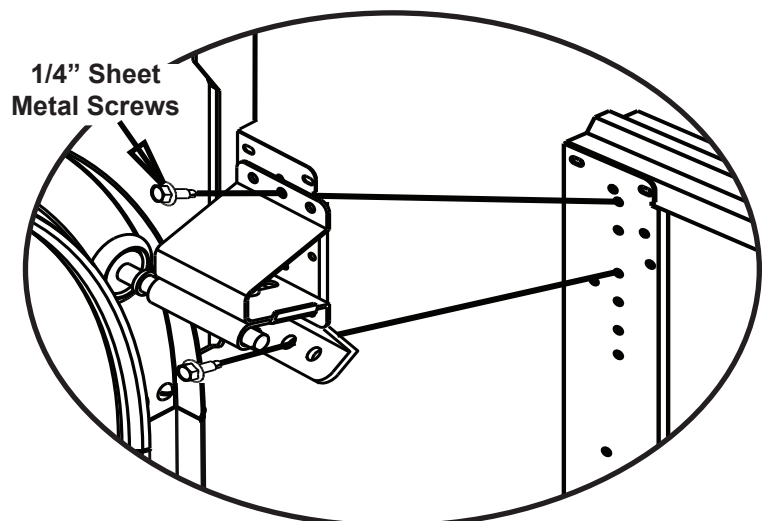
- 5** Place another roller into the other top fixture.



- 6** Slide the roller into the horizontal track where it is wide enough to put the roller as shown. You may have to angle it in.



- 7** Slide the roller through the track so it lines up with the top track. Attach the top fixture to the top section using 1/4" sheet metal screws.

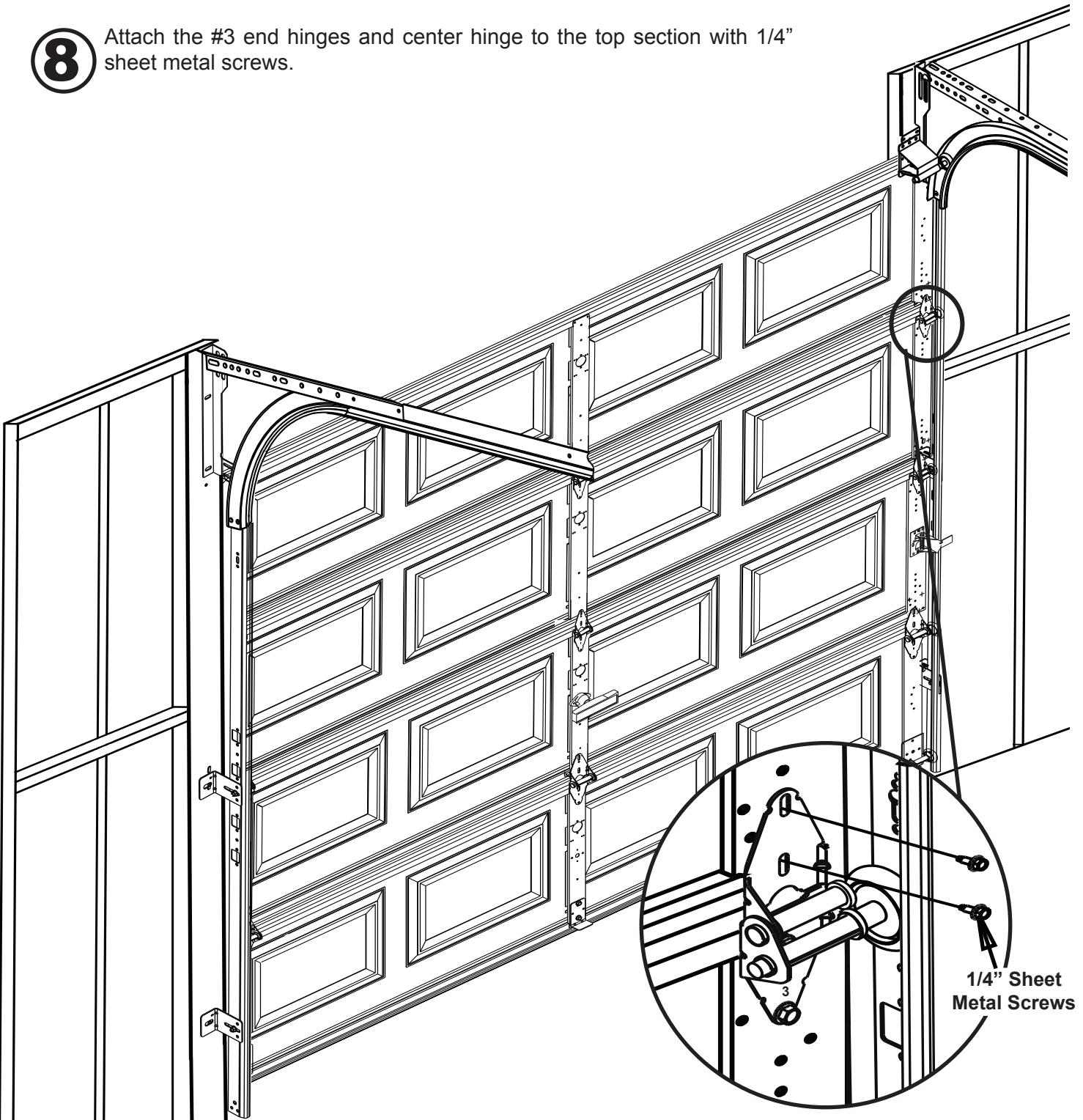


Step 37: Insert Top Panel

You will need for this page:



- 8** Attach the #3 end hinges and center hinge to the top section with 1/4" sheet metal screws.



Spring Assembly Preparation

Check all spring assembly instructions and parts.

Warning! If there appears to be any parts missing stop here and contact your Arrow Customer Service immediately. Do not substitute parts.

Warning! Do not remove any factory applied spring tag or warning label! If any tags or labels are missing or unreadable, contact your Arrow Customer Service immediately.

Warning! Never place your fingers in or near section joints while the door is moving.

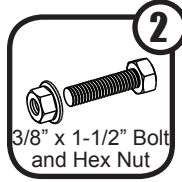
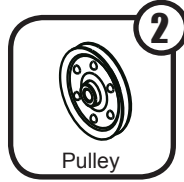
Take time to study the parts and identify them.

Extension Springs: Extension springs mount alongside the horizontal track. They stretch as the door is closed and contract as the door opens. This type of spring is always used in pairs, one on each side of the door. Both springs are the same, it will not matter which one you assemble first.

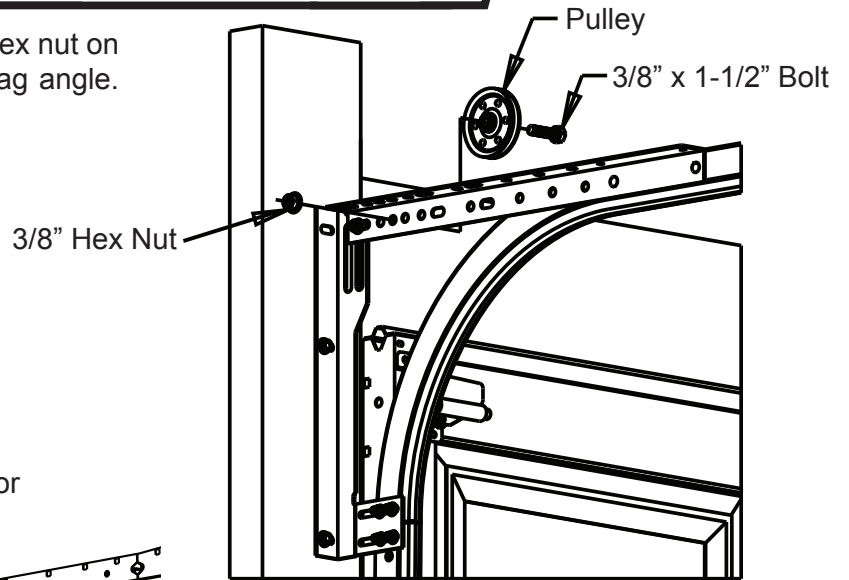
Safety Cable: Extension springs can cause severe damage, personal injury or even death if they are not properly restrained. In the event of a spring failure the safety cable will prevent the spring from being propelled away from the door.

Step 38: Extension Spring Assembly

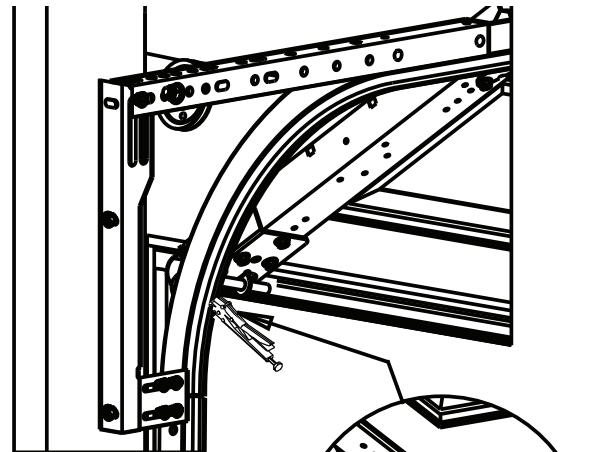
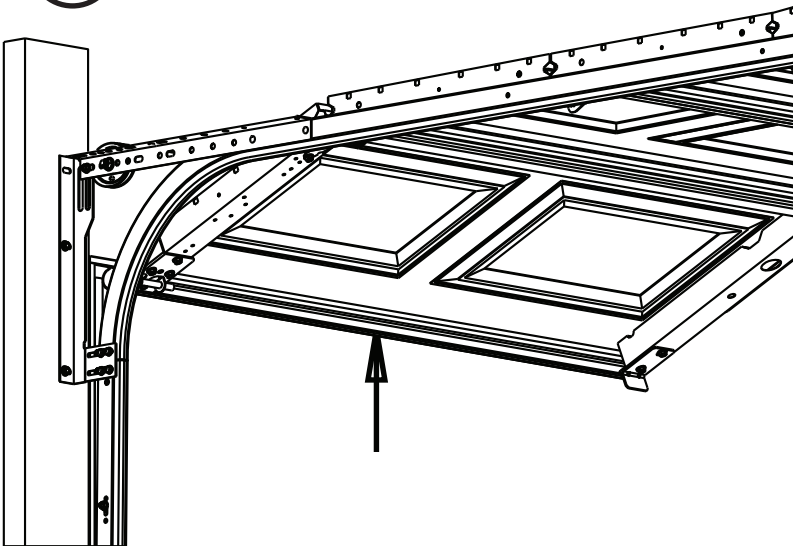
You will need for this page:



- 1** Attach pulley with a 3/8" x 1-1/2" bolt and hex nut on angle which attaches horizontal track to flag angle. Repeat this step for opposite side of door.



- 2** With a minimum of two people, raise door to fully open position.



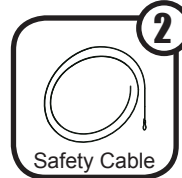
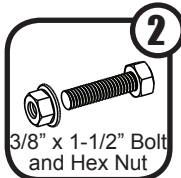
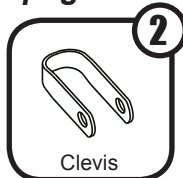
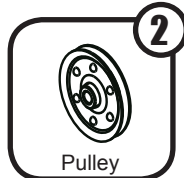
- 3** Secure the door firmly at both sides with locking pliers. Connected to the track as shown.

Clamp locking pliers to back leg of track

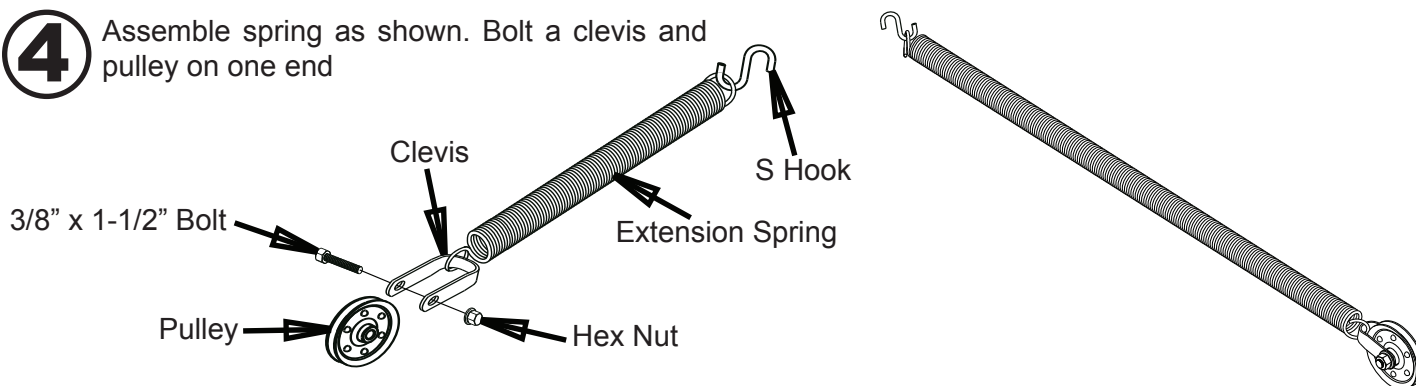
REVERSE SIDE

Step 38: Extension Spring Assembly

You will need for this page:



- 4** Assemble spring as shown. Bolt a clevis and pulley on one end

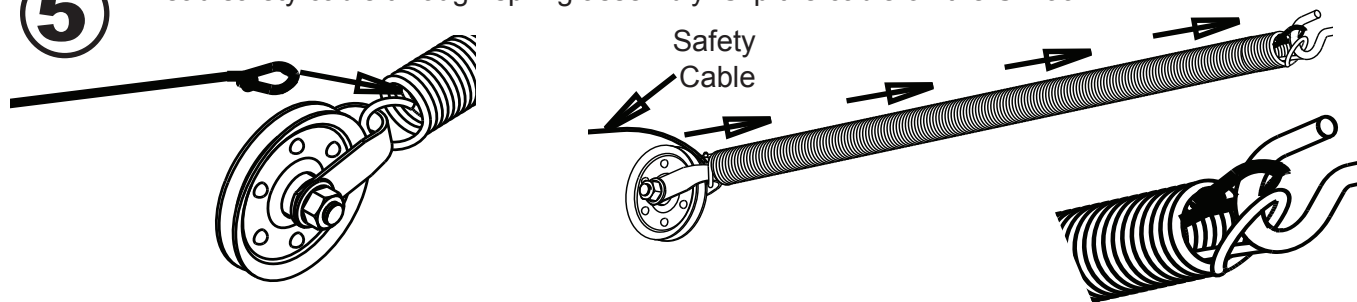


Warning! Extension springs can cause severe damage, personal injury or even death if they are not properly restrained. In the event of a spring failure the safety cable will prevent the spring from being propelled away from the door.

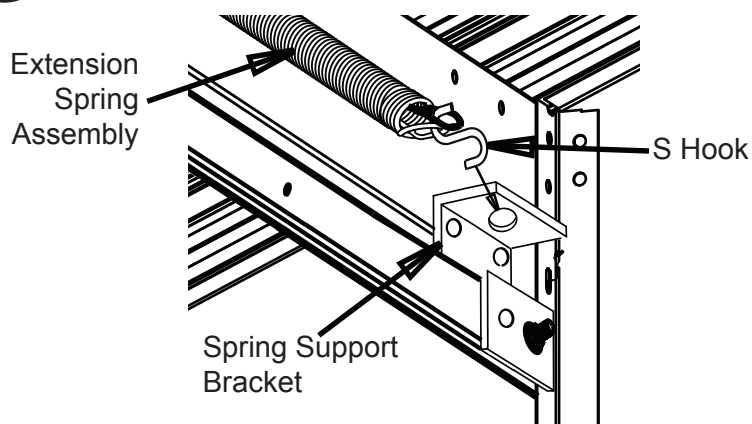
Both springs are the same, it will not matter which one you assemble first.

The spring cable is thicker than the safety cable. Be sure to use the correct cable for the appropriate step.

- 5** Thread safety cable through spring assembly. Clip the cable on the S Hook.

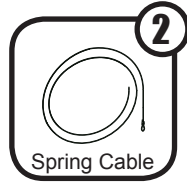


- 6** Hang the hook attached to the spring assembly end to the spring support bracket.

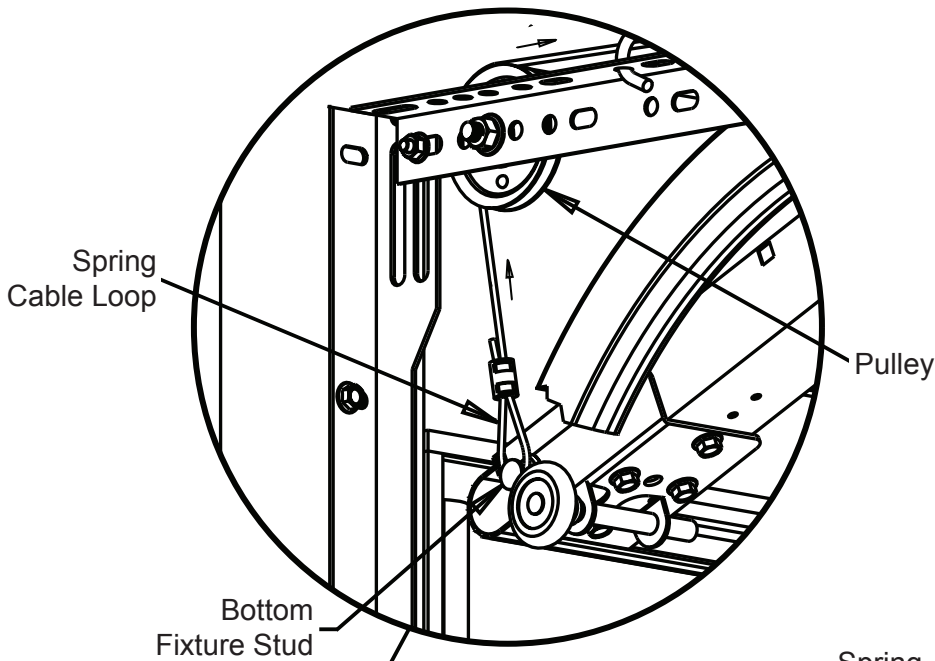


Step 38: Extension Spring Assembly

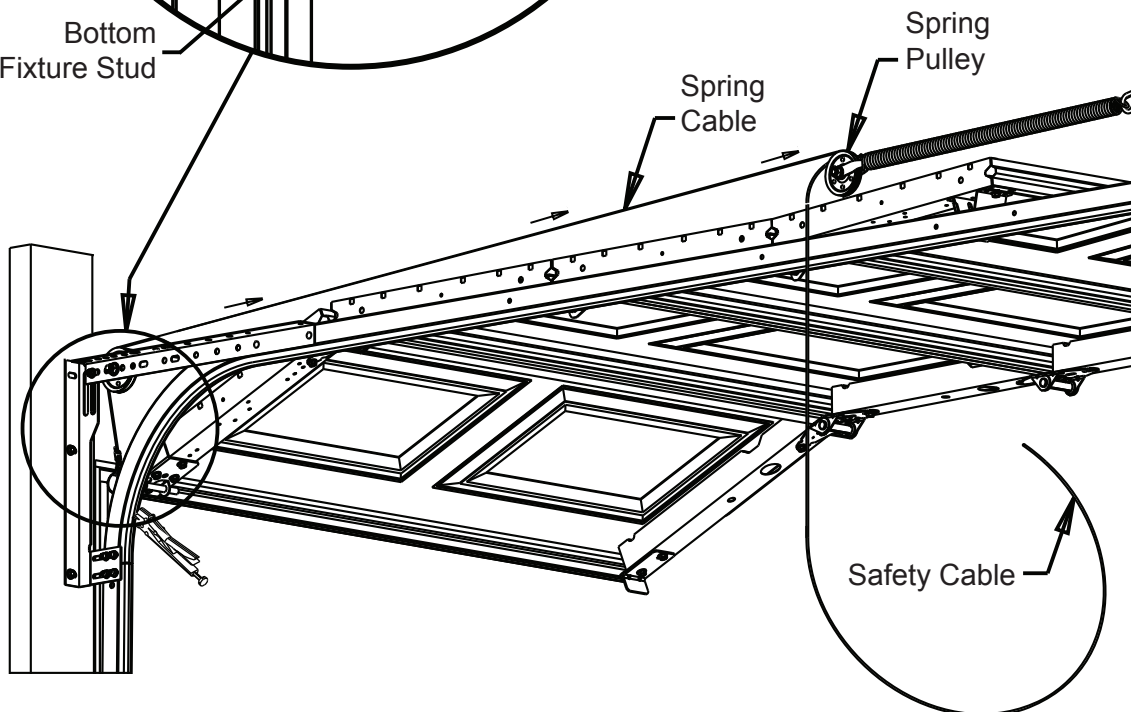
You will need for this page:



7 Attach spring cable loop to bottom fixture stud and thread spring cable over pulley

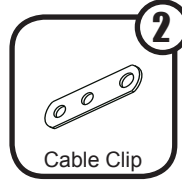


8 Thread spring cable around spring pulley.

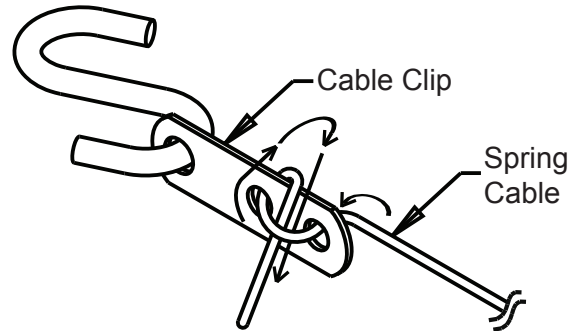


Step 38: Extension Spring Assembly

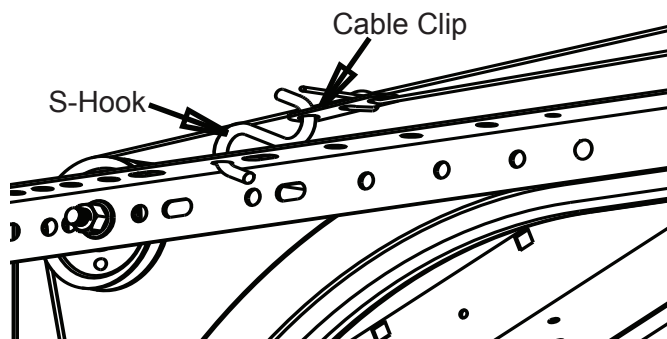
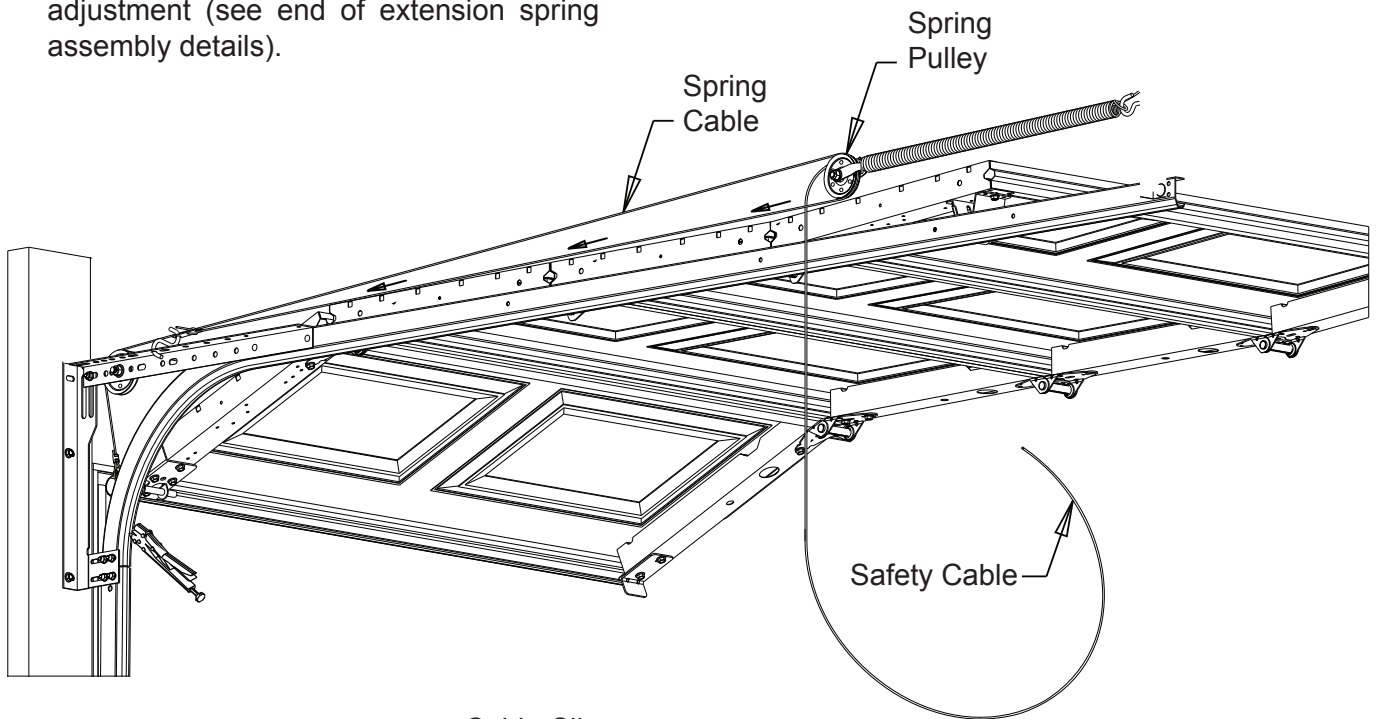
You will need for this page:



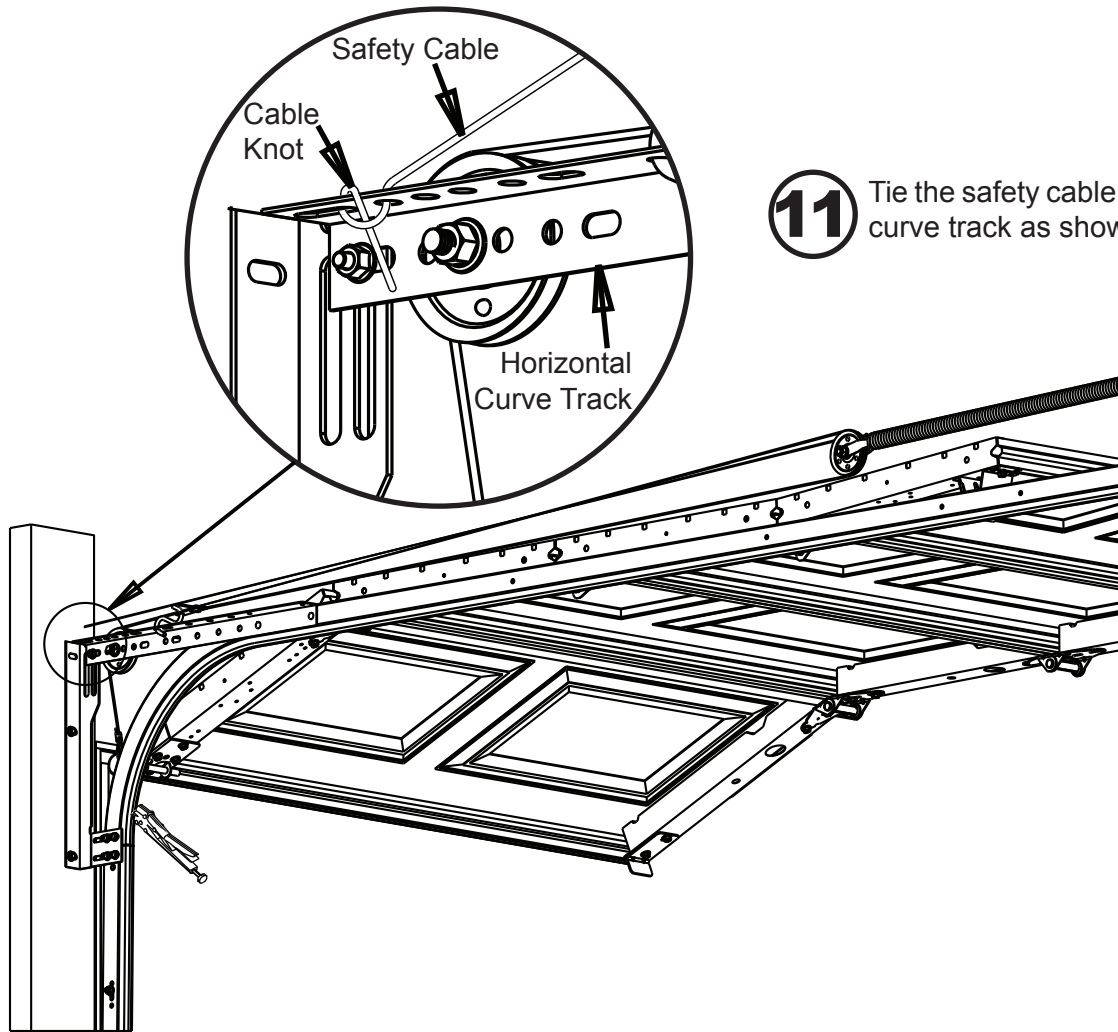
- 9** Tie a cable clip to the spring cable and connect it to an S-hook.



- 10** Stretch spring 2"-3" and clip the S-hook to a hole in the horizontal angle. This is referred to as initial stretch and may need adjustment (see end of extension spring assembly details).



Step 38: Extension Spring Assembly



11 Tie the safety cable securely to the horizontal curve track as shown.

Repeat steps 4 through 11 for the other spring.

Lowering the door and spring adjustment.

Warning! Until all adjustments are completed, always assume you will have to physically support the full weight of the door. Make sure adequate help is available.

Warning! Never place your fingers in or near section joints while the door is moving.

Warning! All spring component parts whether part of the spring assembly, attached to the door, or attached to the wall are now under tension and are extremely dangerous.

Warning! Spring adjustments from this point onward must be performed in accordance with all warnings and directions as previously stated.

Warning! Spring adjustments can only be performed when door is in fully open position and door restraints are applied to tracks.

With one person holding door in the fully open position, carefully remove locking pliers.

Slowly lower door, testing the balance of the springs. If door does not lift off of the floor by itself, or does not roll back to the floor when not supported, it is properly counterbalanced.

If door lifts off of floor by itself, the springs are too strong and the initial stretch must be reduced.

If door rolls back to floor, the springs are too weak and the initial stretch must be increased.

Finalize the track adjustments

Operate door through one full cycle. Check door stops and top fixture for proper seal. If door is not functioning correctly, check for binding against jamb, header or tracks.

Step 39

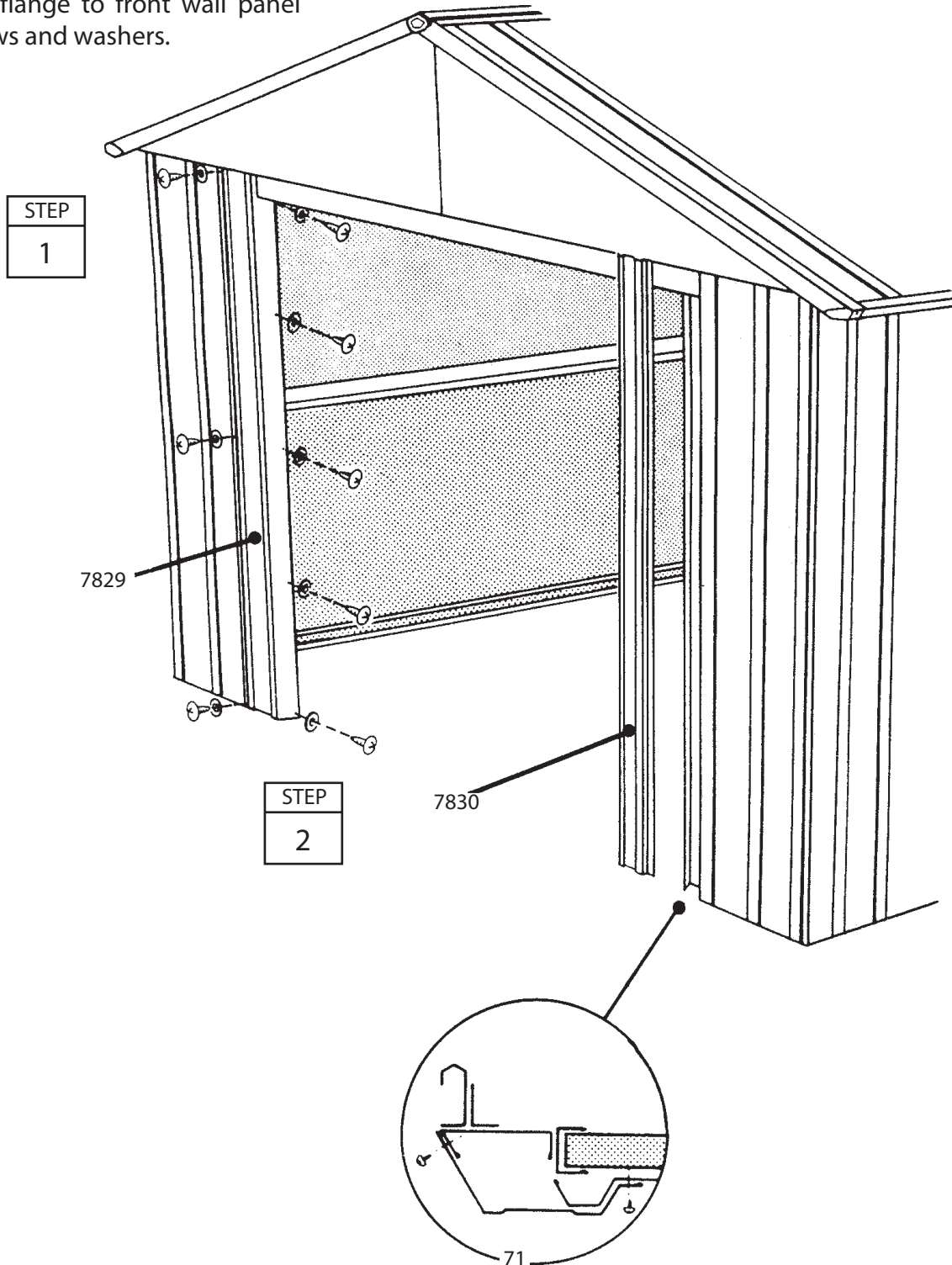
☒ Parts Needed For ☒ Front Door Jambs All Sizes

- ☒ 7830 Right Door Jamb (1)
- ☒ 7829 Left Door Jamb (1)

BW42

1 Position right and left door jambs to right and left track supports with notched end on top, facing inside building.

2 Fasten long flange to track support and short flange to front wall panel using screws and washers.



BGR1210FG BGR1217FG BGR1224FG BGR1231FG

BW44b

SOME FACTS ABOUT RUST

Rusting is a natural oxidizing process that occurs when bare metal is exposed to moisture. Problem areas include screw holes, unfinished edges, or where scrapes and nicks occur in the protective coating through normal assembly, handling and use. Identifying these natural rusting problem areas and taking some simple rust protection precautions can help to stop rust from developing, or stop it quickly as soon as it appears.

1. Avoid nicking or scraping the coating surface, inside and out.
2. Use all the washers supplied. In addition to protecting against weather infiltration, the washers protect the metal from being scraped by the screws.
3. Keep roof, base perimeter and door tracks free of debris and leaves which may accumulate and retain moisture. These can do double damage since they give off acid as they decay.
4. Touch up scrapes or nicks and any area of visible rust as soon as possible. Make sure the surface is free of moisture, oils, dirt or grime and then apply an even film of high quality touch-up paint.