



RVXLWR-B

GN031-B

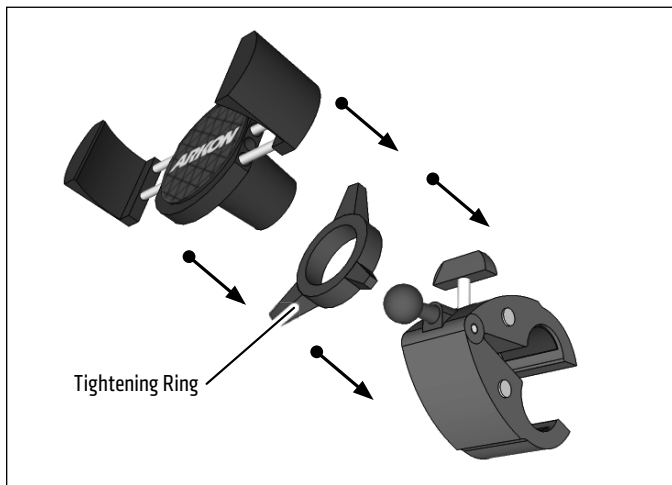
Package Contents:

- (1) RVXLWR-B – RoadVise XL Smartphone and Midsize Tablet Holder
- (1) GN031-B – Clamp Post Mount with 17mm Ball

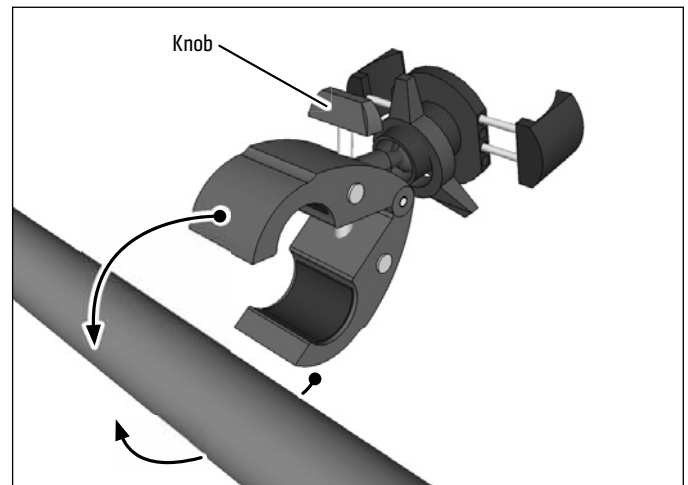
IMPORTANT: Do not overtighten ring. Overtightening ring may damage threads on holder and also make it difficult to adjust holder.

Compatibility: Fits phones, 7-8" screen size tablets, and handheld gaming devices measuring 2.5" up to 5" wide.

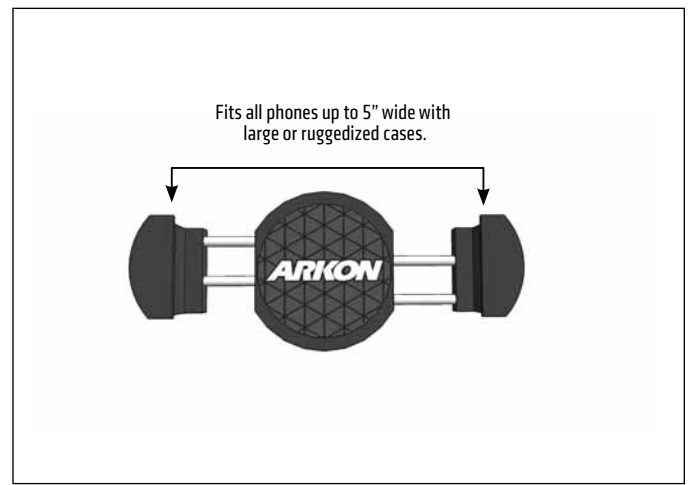
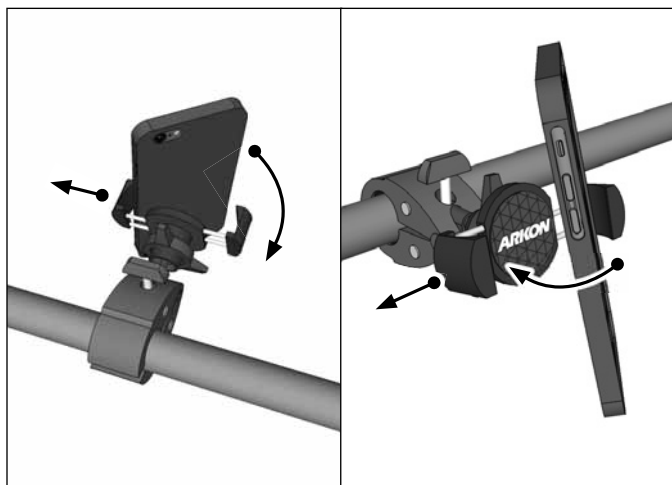
- 1 Unscrew tightening ring from RoadVise holder. Place adjustment ring over 17mm ball end of mount then snap the RoadVise XL Universal Smartphone holder onto 17mm ball and tighten ring. Set to desired position.



- 2 Unscrew mount's knob to loosen grip. Place the mount around pole as desired, then retighten knob to secure.



- 3 Using two hands, insert phone into the holder by pushing the device into one of the spring-loaded legs. Expand the other leg and fully insert device until it lays flat against the blue rubber pad. Rotate or adjust angle as needed.



! Safety Precautions
Arkon is not responsible for any damages caused to your device or yourself due to the installation or use of this mount.

ARKON
RESOURCES INC. The Mobile Mounting Specialists™