



RM0792517



SP-MAGKIT

**Package Contents:**

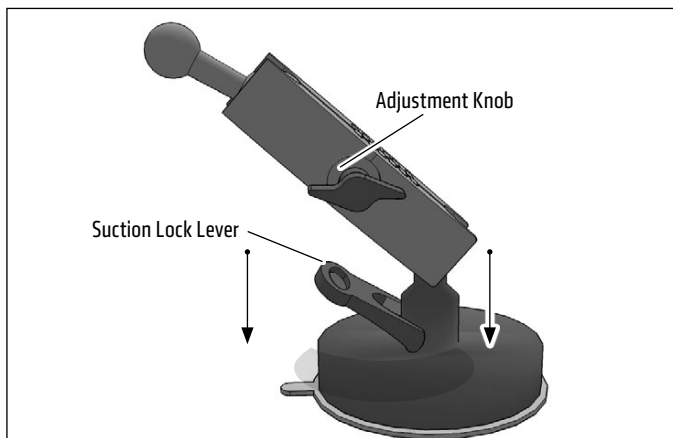
- (1) **RM0792517** – Robust Sticky Suction Mounting Pedestal with 25mm Ball to 17mm Ball Adapter and Adhesive Mounting Disk
- (1) **SP-MAGKIT** – Arkon Magnet Mount Kit

Single phone mount ideal for iPhone/smartphone live streaming on Periscope, Facebook Live, and other broadcasting platforms.

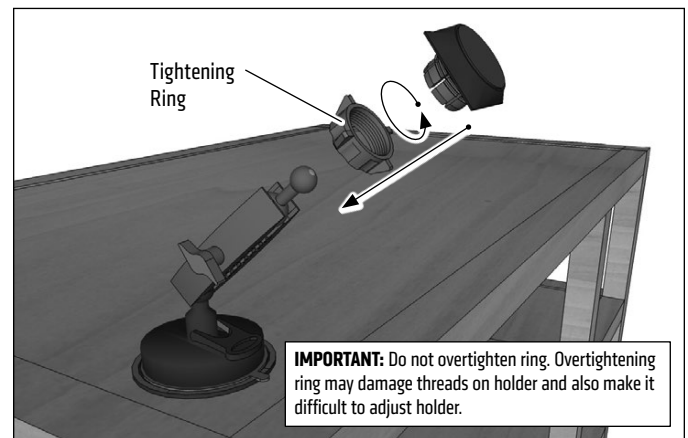
**DASHBOARD MOUNTING WARNING:** THE STICKY SUCTION PEDESTAL SHOULD NOT BE USED ON SOME TYPES OF DASHBOARDS. IT MAY LEAVE A PERMANENT INDENTATION ON DASHBOARD SURFACES MADE OF SOFT VINYL, LEATHER, OR SIMILAR MATERIALS. TO PREVENT PERMANENT INDENTATION MARKS, USE THE INCLUDED ADHESIVE MOUNTING DISK WHEN MOUNTING ON SOFT DASHBOARD SURFACES.

\*If the sticky suction base becomes dirty or loses stickiness, rinse under warm water with mild liquid soap and let air dry.

- 1 While firmly pressing mounting pedestal onto flat surface, engage the suction lock lever to lock into place. To adjust arm angle, loosen the adjustment knob, reposition arm, and retighten knob.

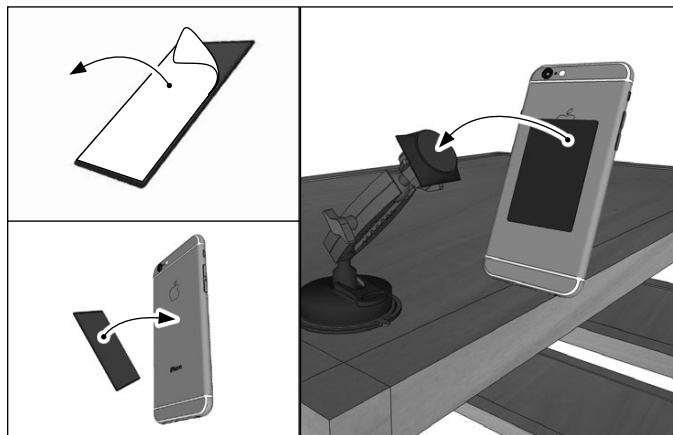


- 2 Place tightening ring over 17mm end of ball adapter and snap the Magnet Mount Kit onto adapter. Set to desired position and tighten ring.

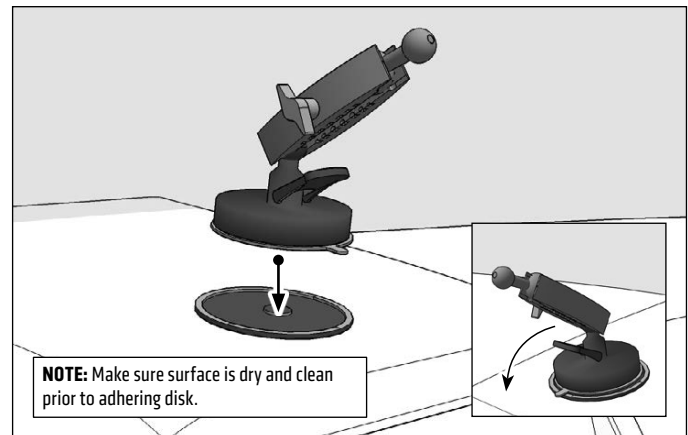


**IMPORTANT:** Do not overtighten ring. Overtightening ring may damage threads on holder and also make it difficult to adjust holder.

- 3 Remove paper backing of adhesive metal plate. Firmly press the adhesive side to clean, back surface of your smartphone or case. Place metal plate on the smartphone in contact with the magnet head on the mount to attach. Rotate or adjust angle as needed.



**Recommended:** For soft or textured surfaces, use the included mounting disk. Let disk adhesive cure for 24 hours before use.



**NOTE:** Make sure surface is dry and clean prior to adhering disk.

**! Safety Precautions**  
Arkon is not responsible for any damages caused to your device or yourself due to the installation or use of this mount.

**ARKON**  
RESOURCES INC. The Mobile Mounting Specialists™