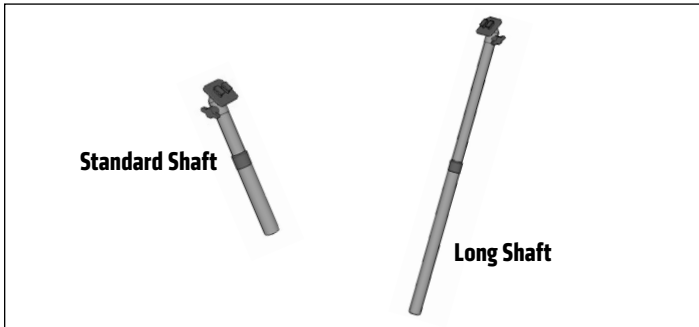
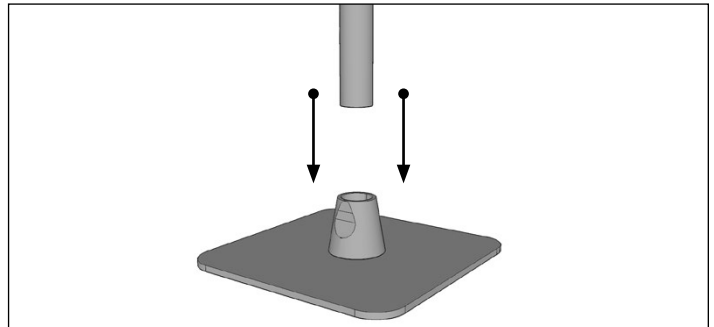


Part I – Dual Mount Configurations

- 1 Select telescoping shaft (2 options, select one):
 - **Option 1** – 7.5" to 9.75" - STANDARD SHAFT (packed with weighted base inside smaller white box)
 - **Option 2** – 17" to 29" – LONG SHAFT

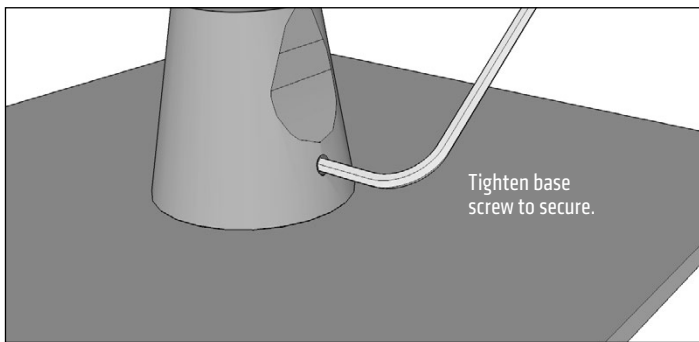


- 2 Insert selected shaft into the round hole on weighted base (May require significant downward force)

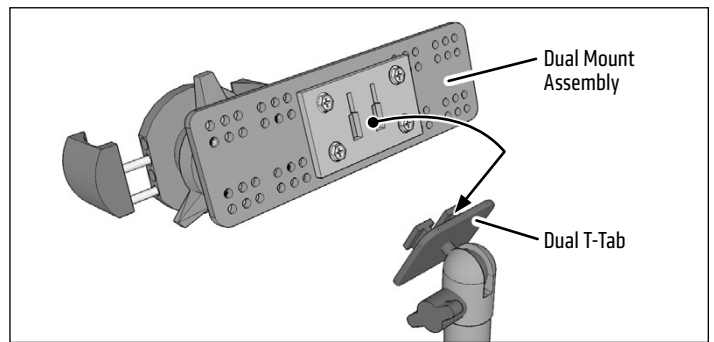


- 3 Use Allen wrench hex key (included) to secure weighted base to telescoping shaft. Turn the hex bolt clockwise to tighten, counter-clockwise to remove.

SAFETY PRECAUTION: Failing to properly secure the base to the shaft could cause bodily injury or harm. Always use two hands (one on shaft, and one on base) when carrying.



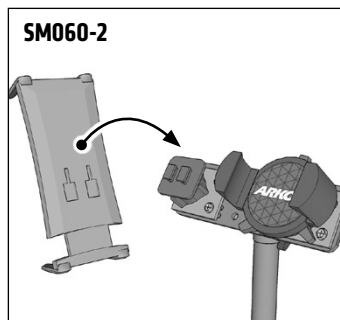
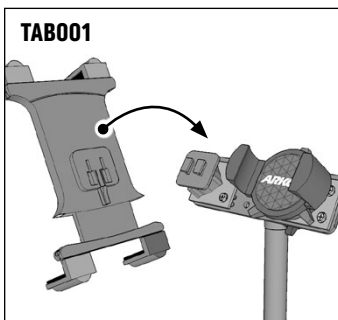
- 4 Connect the Dual Mount Assembly to the Dual T-Tab Pattern at top of Telescoping Shaft



- 5 Select and install which optional holder you'll be using with the RoadVise Phone holder (the one with the blue/white medallion) that's already pre-installed on the Dual Mount Assembly. If SM060-2 (See Package Contents at the end of manual) is selected, it can serve as a Dual Phone Mount configuration. To install, line up the Dual T-Slot on backside of holder with the Dual T-Tab on the Dual Mount Assembly:

• **Universal Tablet Holder**
(For tablets 8.9" to 12.9" Screen Size)

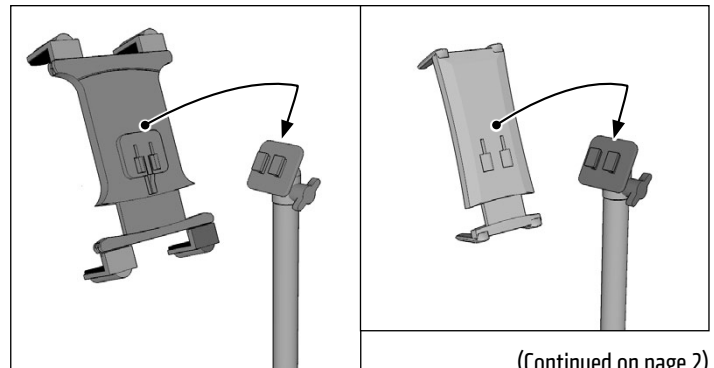
• **Midsize Tablet or Phone Holder**
(For tablets 7"-8" Screen Size)



Part II – Optional Single Device Mounting Configurations

Perform instructions on Part 1, Steps 1 thru Step 3 and then proceed below.

- 1 For Tablets (8.9" to 12.9"), install TAB001-B directly to the Dual T-Tab Adapter at top of telescoping shaft. For Midsize Tablets or for Phones, install SM060-2 directly to the Dual T-Tab Adapter at top of telescoping shaft.



(Continued on page 2)

! Safety Precautions

Arkon is not responsible for any damages caused to your devices or yourself due to the installation or use of this product. Failing to properly secure the base to the shaft could cause bodily injury or harm. Always use two hands (one on shaft, and one on base) when carrying.

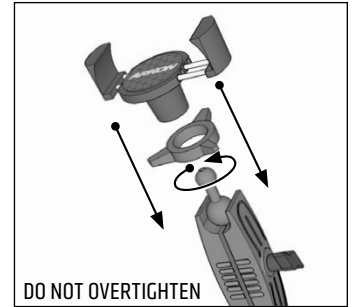
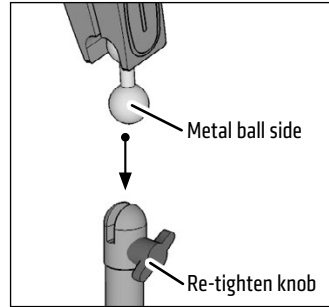
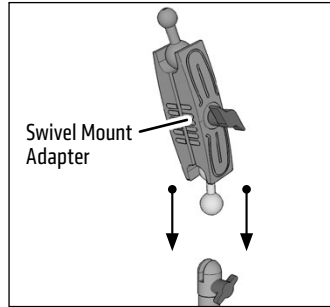
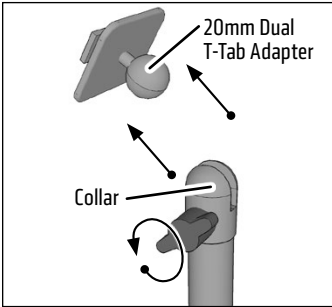
ARKON
RESOURCES INC.

The Mobile Mounting Specialists™

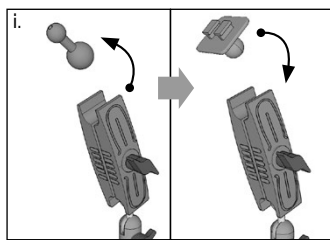
(Continued from page 1)

Overhead Broadcasting or for Additional Height and Swivel Compatibility

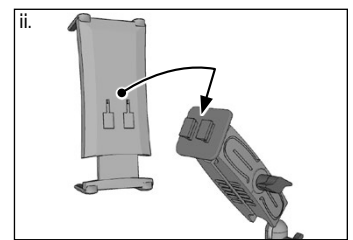
- a. Unscrew knob on collar at top of shaft, remove the plastic 20mm to Dual T-Tab adapter.
- b. Attach the Swivel Mount Adapter to the top of the Telescoping Shaft Assembly. Requires removing the Dual T-Tab Adapter (installed by default)
- c. Identify the Metal ball side of the Swivel Mount Adapter. Insert it into the collar and then re-tighten the knob.
- d. Decide which holder to attach to the Swivel Mount Adapter. Arkon only recommends using the RoadVise Phone Holder for downward broadcasting.



e. Depending on the size and weight of the tablet, either tablet holder may be connected to the Swivel Mount Adapter, but shouldn't be used for downward broadcasting. Use of the **25mm to Dual T-Tab Adapter** is required. Note: the smaller 20mm to Dual T-Tab Adapter is not compatible with the shaft



- i. Remove and replace the black plastic ball adapter side of the Swivel Mount Adapter with the 25mm to Dual T-Tab Adapter.
- ii. Connect either the TAB001-B or the SM060-2 holder to the now modified Swivel Mount Adapter. The SM060-2 holder provides added versatility in that it can be used for midsize tablets and also for all phones.



Package Contents:



- (1) Heavy-Duty Desk Stand with 20mm Dual T-Tab Adapter (Standard Shaft)
- (1) Dual Mount Assembly with RoadVise Phone Holder
- (1) Swivel Mount Adapter
- (2) SP-RM200
- (1) 25mm to Dual T-Tab Adapter
- (1) SP25MMCAM
- (2) SP25MM25
- (1) SM060-2 Midsize Tablet or Phone Holder
- (1) TAB001 Full-Size Tablet Holder
- (1) 17'' to 29'' Shaft (Alternate)

Device Compatibility:

RoadVise Universal Smartphone Holder fits smartphones with cases weighing up to 2 pounds and measuring up to 4" wide. Slim-Grip® Ultra™ Universal Midsize Tablet and Smartphone Holder is compatible with devices measuring up to 8" screen size. Slim-Grip® Universal Tablet Holder is compatible with tablets measuring up to 12.9" screen size. **IMPORTANT:** Do not over-tighten ring. Overtightening ring may damage threads on holder and also make it difficult to adjust holder.

TAB001 Slim-Grip® Universal Tablet Holder includes 8 support legs (4 short and 4 longer versions) that can be inserted on the top and bottom of the holder to provide a customized fit for your tablet. These can be easily adjusted in order to keep any side buttons and ports unobstructed. For most large tablets, the best mount holder configuration is to attach 2 short support legs on top and the 2 long support legs on the bottom of the holder. For smaller tablets, use all 4 short support legs on the holder. For larger tablets including iPad Pro, use all 4 long legs. For vertical viewing, adjust the 360-degree swivel and then re-tighten.

SM060-2 Universal Midsize Tablet and Phone Holder includes eight support legs (4 short and 4 longer versions) are included that can be customized for optimum fit of your device. The best mount holder configuration is to attach 2 short support legs on top and the 2 long support legs on the bottom of the holder for most devices. For larger devices, use all 4 long support legs on the holder. For smaller devices, use all 4 short support legs on the holder.

! Safety Precautions

Arkon is not responsible for any damages caused to your devices or yourself due to the installation or use of this product. Failing to properly secure the base to the shaft could cause bodily injury or harm. Always use two hands (one on shaft, and one on base) when carrying.



The Mobile Mounting Specialists™