



TAB001



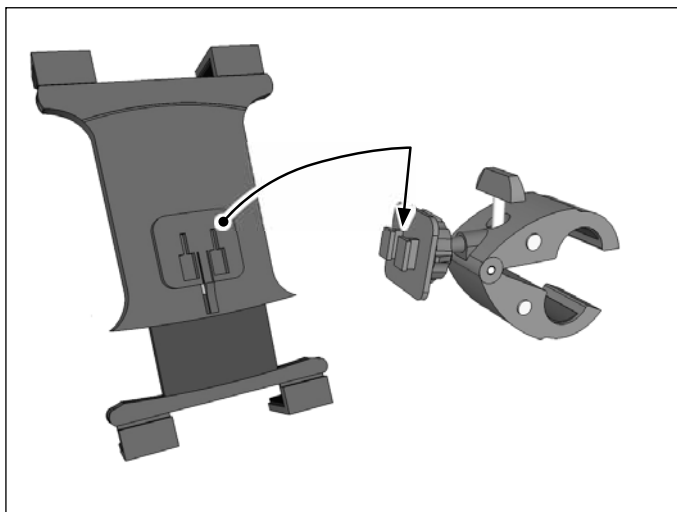
GN031-SBH-B

**Package Contents:**

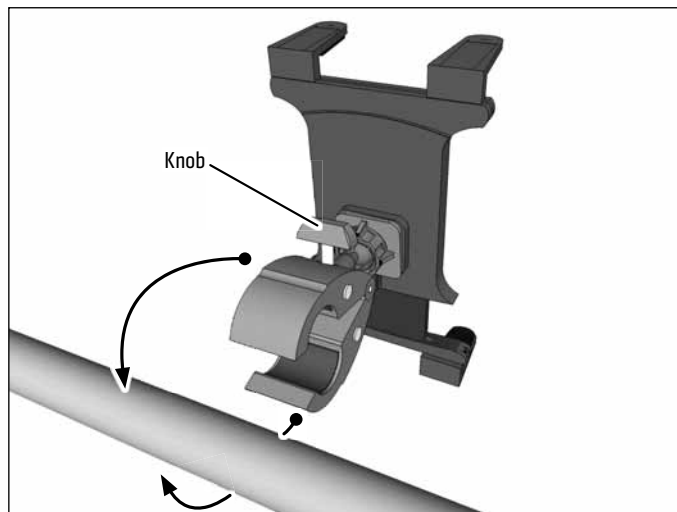
- (1) TAB001 – Slim-Grip Universal Tablet Holder
- (1) GN031-SBH-B – Clamp Post Mount with Dual-T Head

The Slim-Grip Universal Tablet Holder fits tablets with 8.9" - 18.4" screen size. It includes 4 short, 2 medium, and 4 long support legs. Select a combination of 4 support legs in conjunction for use with the spring-loaded holder to achieve the perfect fit for your tablet.

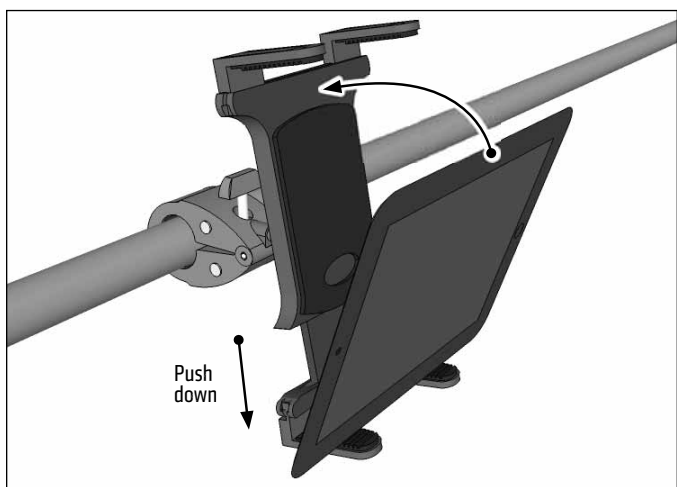
- 1 Attach holder by inserting the mount's Dual T-Tabs into the holder's Dual T-Slots.



- 2 Unscrew mount's knob to loosen grip. Place the mount around pole as desired, then retighten knob to secure.



- 3 Insert device by pushing down on lower legs of spring-loaded holder.



**! Safety Precautions**  
 Arkon is not responsible for any damages caused to your device or yourself due to the installation or use of this mount.

**ARKON**  
 RESOURCES INC. *The Mobile Mounting Specialists™*