

Package Contents:



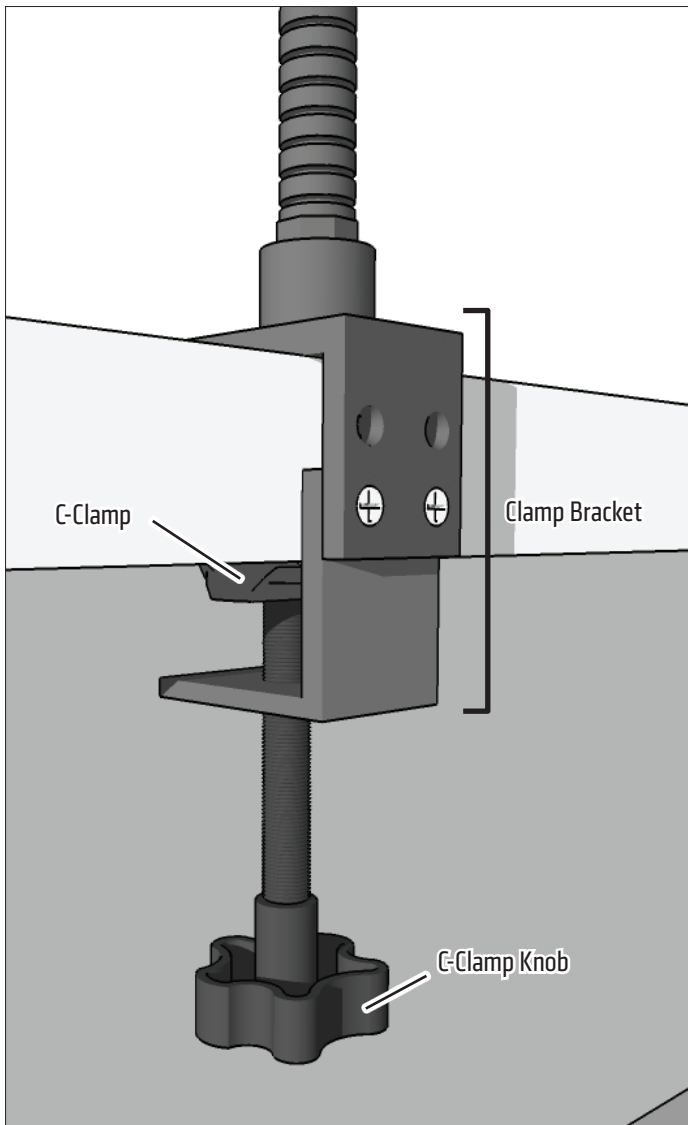
GN086-12-SBH
 - Heavy-Duty Adjustable C-Clamp Mount with 12"
 - Flexible Gooseneck
 - Rubber Clamp Boot (optional)



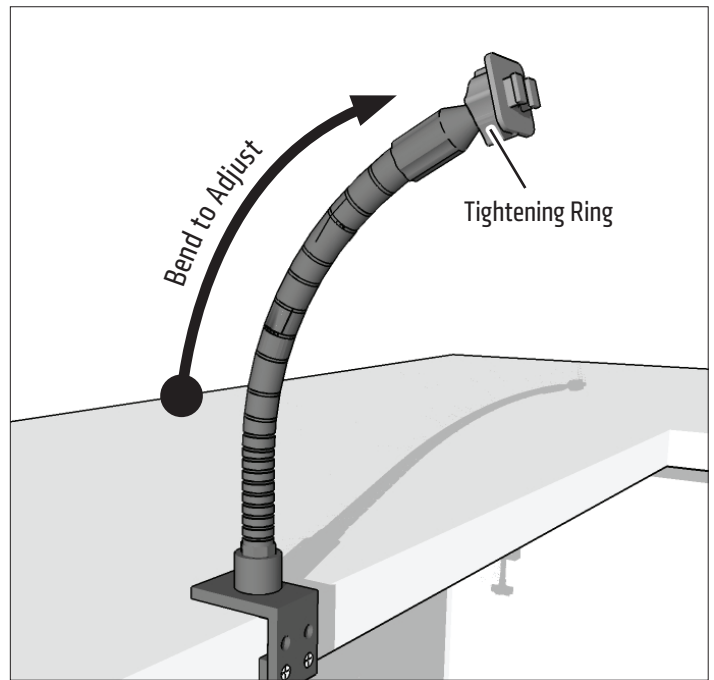
TAB001
 Slim-Grip® Universal Tablet Holder

IMPORTANT: The Slim-Grip Universal Tablet Holder fits all tablets with 8.9" - 18.4" screen size. It includes 4 short, 2 medium, and 4 long support legs. Select a combination of 4 support legs in conjunction for use with the spring-loaded holder to achieve the perfect fit for your tablet.

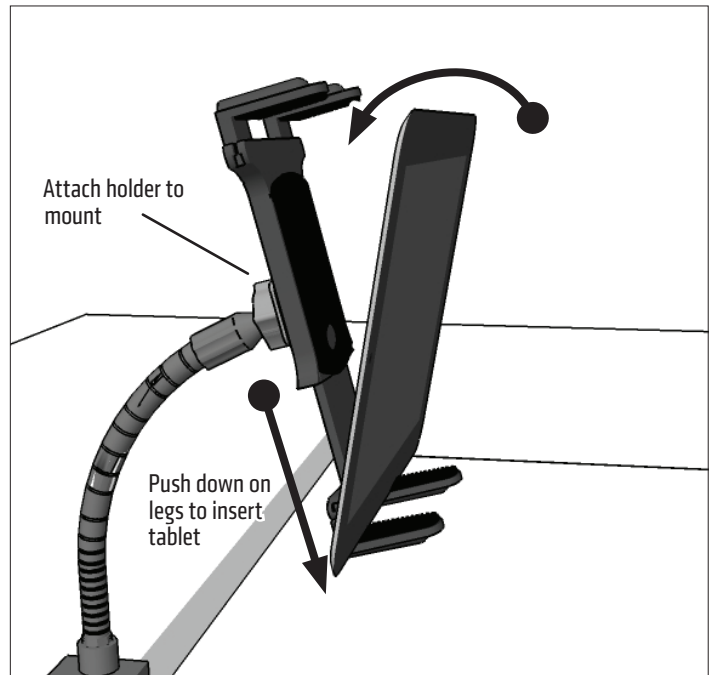
- 1 Attach mount to surface by tightening C-Clamp knob; adjust the clamp bracket position if necessary. Slide optional rubber clamp boot onto the top of the mount's clamp to prevent scratching clamp surface if desired.



- 2 Adjust the position of the mount by firmly bending the neck. Ball head can also be adjusted via the tightening ring.



- 3 Attach tablet holder to the Dual-T head on the mount and insert tablet.



Safety Precautions

Do not install Arkon products over an air bag cover or an air bag deployment zone. Arkon Resources, Inc. is not responsible and assumes no liability for injury or death as a result of a car crash and / or air bag deployment.

Arkon is not responsible for any damages caused to your vehicle, your device, or yourself due to the installation or use of this product.