

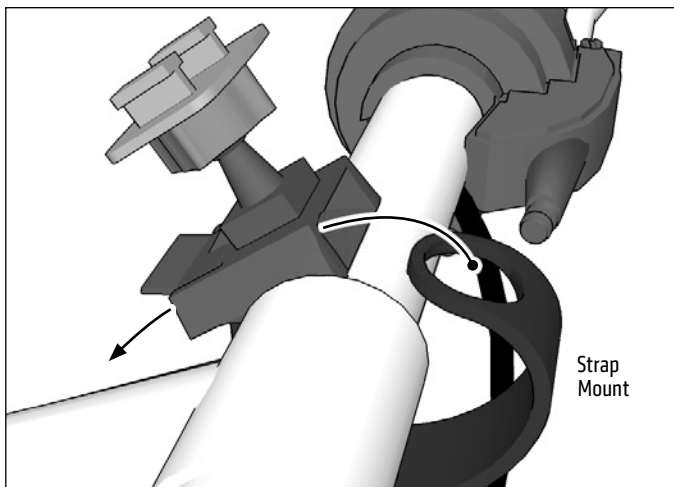


**Package Contents:**

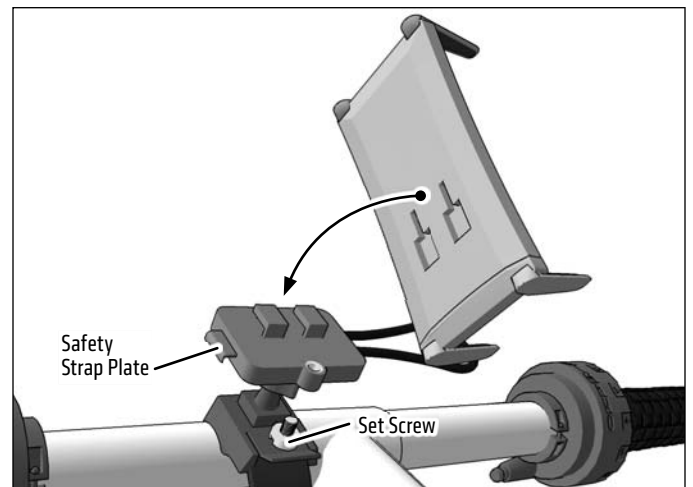
- SM060-2** – Slim-Grip® Ultra™ Holder
- GN034-SBH** – Quick-Release Strap Mount
- AP2STRAP** – Safety Strap Adapter Plate

**IMPORTANT:** Select the appropriate short or long support legs and install to holder. For large sized smartphones such as the Galaxy Note and midsize tablets, select 4 long support legs.

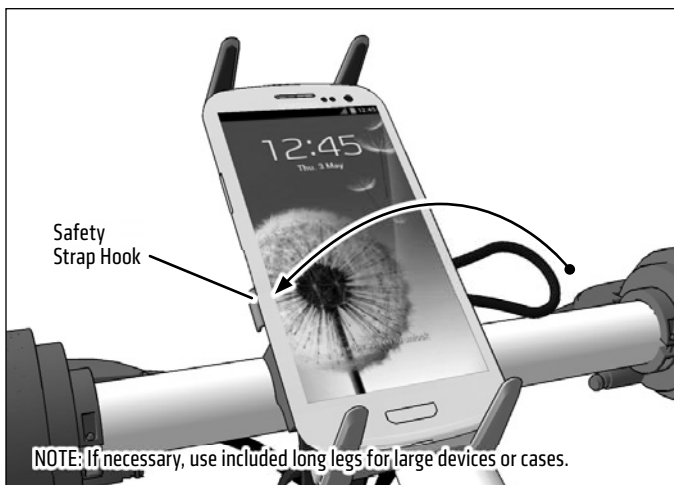
- 1** Place mount on handlebar. Wrap strap around handlebar and insert through slot on mount. Pull tightly to secure.



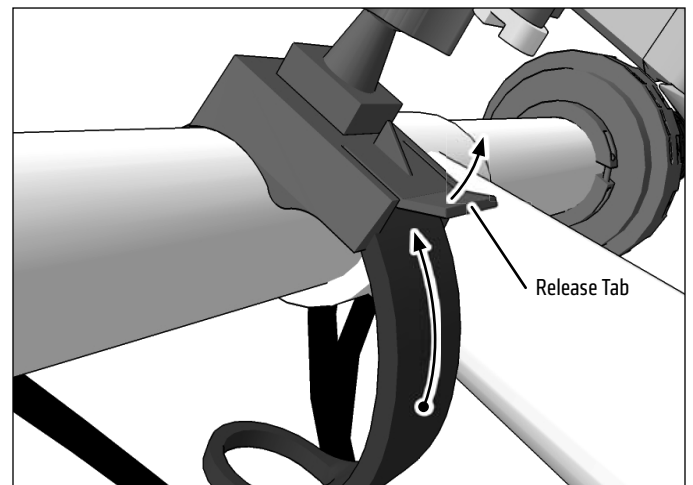
- 2** Attach safety strap plate to the 2T mount head and secure with set screw; attach holder to the safety strap plate.



- 3** Insert device by pushing down on the lower support legs and engaging the spring-loaded mechanism. Secure with safety strap by looping strap across the device to hook on safety strap plate.



- 3** Remove mount by pulling up release tab and pushing strap back through slot.



**Safety Precaution**

Arkon is not responsible for any damages caused to your vehicle, your device, or yourself due to the installation or use of this mount.

**ARKON**  
RESOURCES INC. *The Mobile Mounting Specialists™*