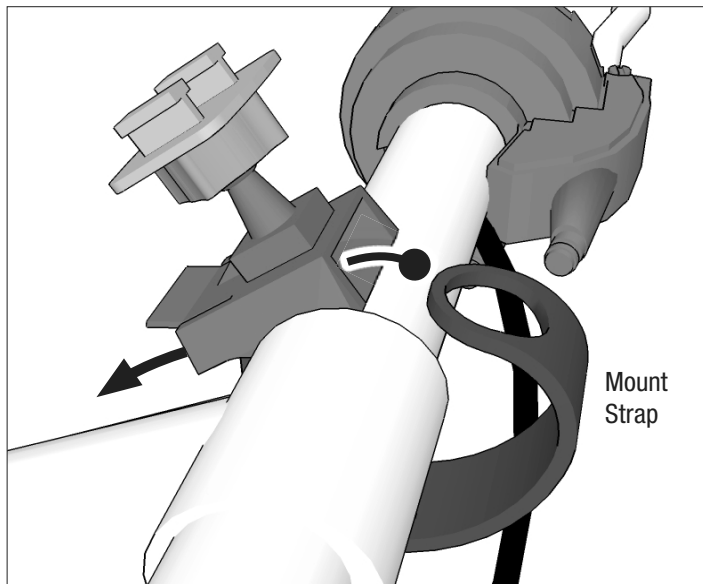


Package Contents:

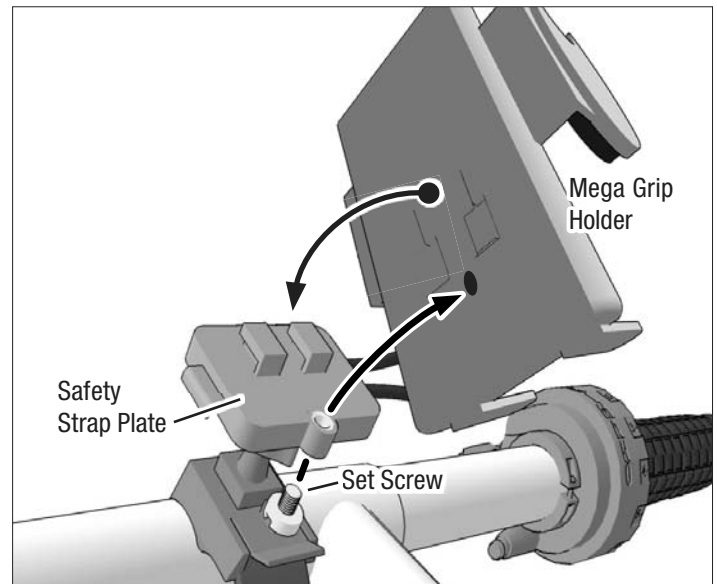


SM434
Mega Grip Quick-Release Strap Mount with Elastic Safety Strap

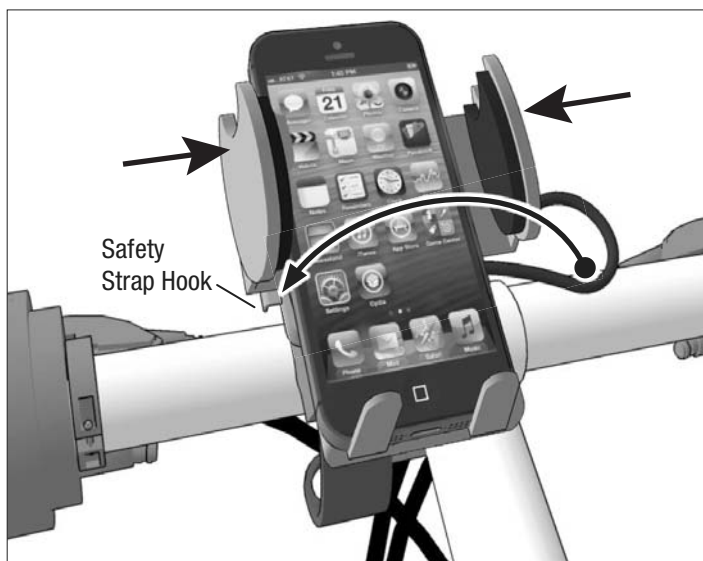
- 1 Place mount on handlebar. Wrap strap around handlebar and insert through slot on mount. Pull tightly to secure.



- 2 Attach safety strap plate to the Dual-T mount head and secure with set screw; attach Mega Grip holder to safety strap plate.



- 3 Insert device and squeeze arms to close. Secure with safety strap by looping strap to the hook on safety strap plate.



- 4 Remove mount by pulling up release tab and pushing strap back through slot.

