

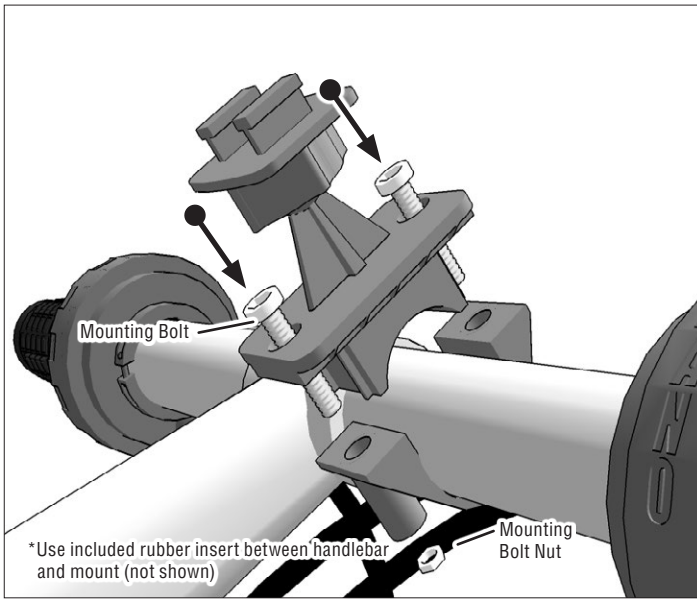
Package Contents:



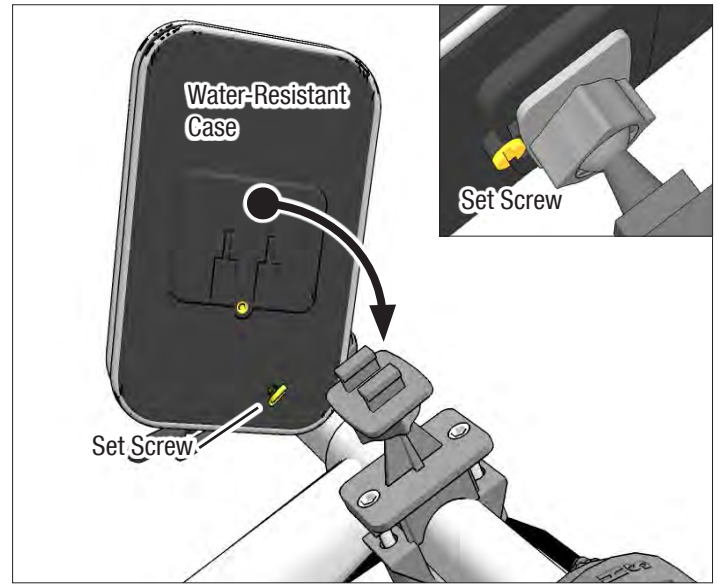
SM032

Fits smartphones up to 5" tall x 3" wide

1 Attach the mount to handlebar with a Phillips screwdriver.



2 Attach the case to the 2T Head on the mount and insert the set screw to secure the case.



3 Insert device and adjust case position as desired, tighten adjustment ring to secure.

