



**Package Contents:**

**RV001WR** – RoadVise™ Premium Universal Smartphone Holder with Ring

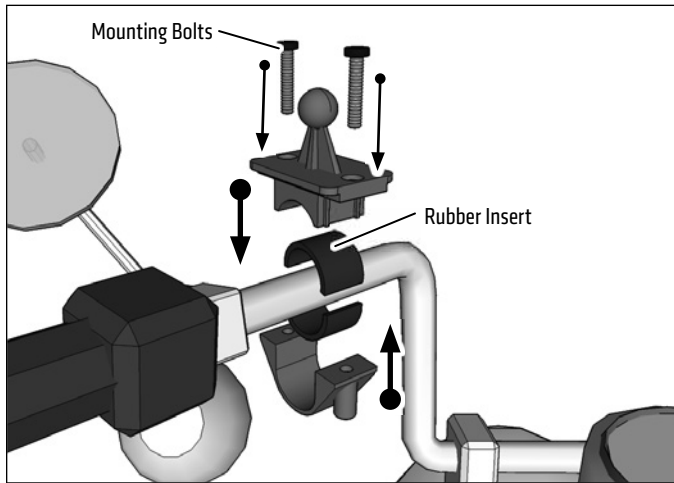
**GN032** – Handlebar Mount

**IMPORTANT:** Do not overtighten ring. Overtightening ring may damage threads on holder and also make it difficult to adjust holder.

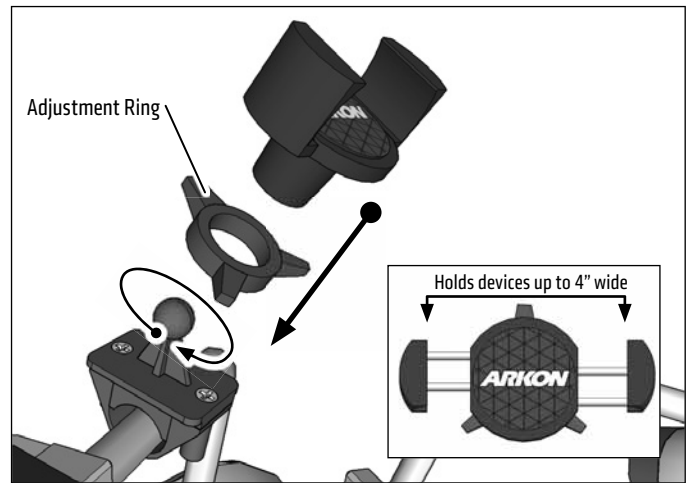
**Compatibility:**

For handlebars up to 33mm in diameter. Fits smartphones with cases weighing up to 2 pounds and measuring up to 4" wide.

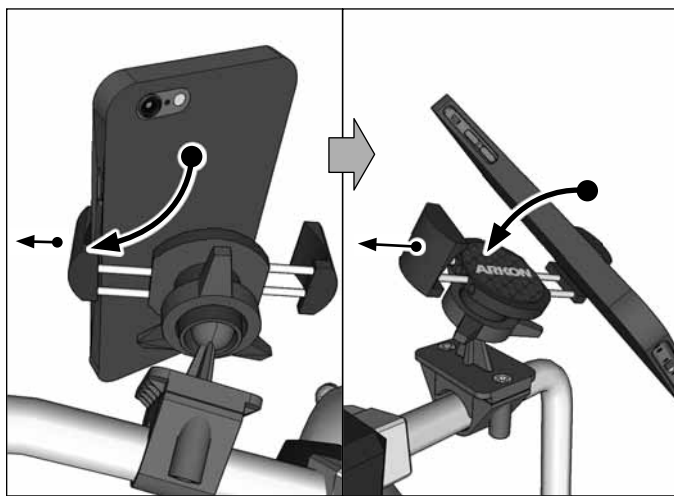
**1** Attach mount to handlebar with a Phillips screwdriver. Use the appropriate rubber inserts (included) to secure mount.



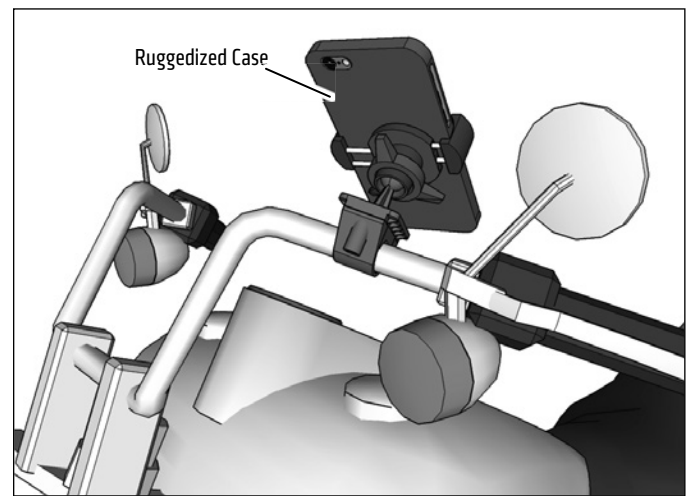
**2** Place adjustment ring over the mount's ball. Snap the RoadVise Holder onto the mount and tighten adjustment ring to set position.



**3** Using two hands, insert the phone into the holder by pushing the device into one of the spring-loaded legs. Expand the other leg and fully insert device until it lays flat against the blue rubber pad.



**4** RoadVise Holders work best with smartphones using a case. For maximum grip, make sure to use a ruggedized case while using this product.



**! Safety Precautions:** Arkon is not responsible for any damages caused to your vehicle, your device, or yourself due to the installation or use of this mount.

**Disclaimer for Handlebar Mounts:** The RoadVise™ mount is intended for the convenient transport of electronic equipment and other portable items on your motorcycle. Improper installation or use of the mount can potentially result in serious injury or death. We strongly recommend that you closely follow the accompanying installation instructions and employ good judgment in your use of the mount. Do not allow yourself to become distracted by whatever equipment or other item that is secured by the mount when you are riding. Always wear a helmet, proper eyewear, and protective clothing when riding, and never ride when under the influence of alcohol or drugs.

**ARKON**  
RESOURCES INC. The Mobile Mounting Specialists™

© Copyright 2015 Arkon Resources, Inc.