

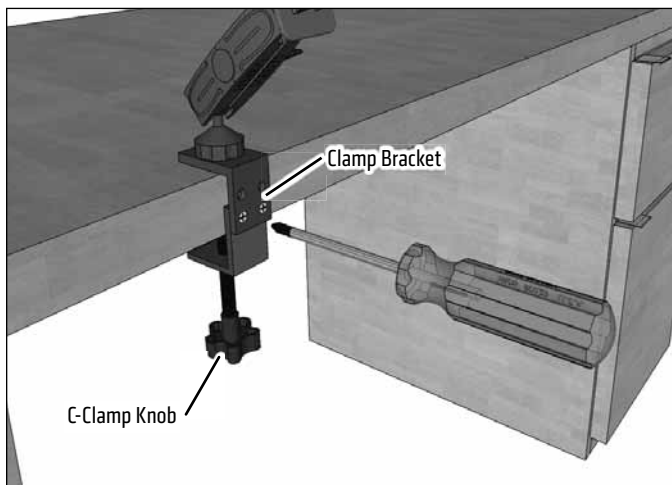


Package Contents:

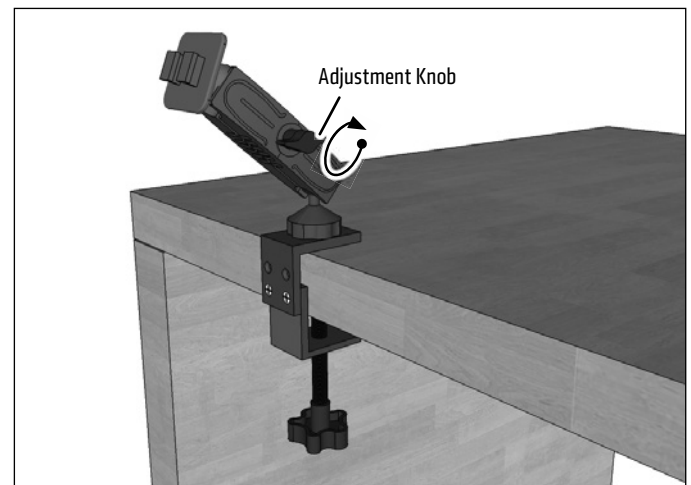
RM0862T – Heavy-Duty C-Clamp Mounting Pedestal

NOTE: C-clamp opens as wide as 2.25 inches and closes as tight as .25 inches.

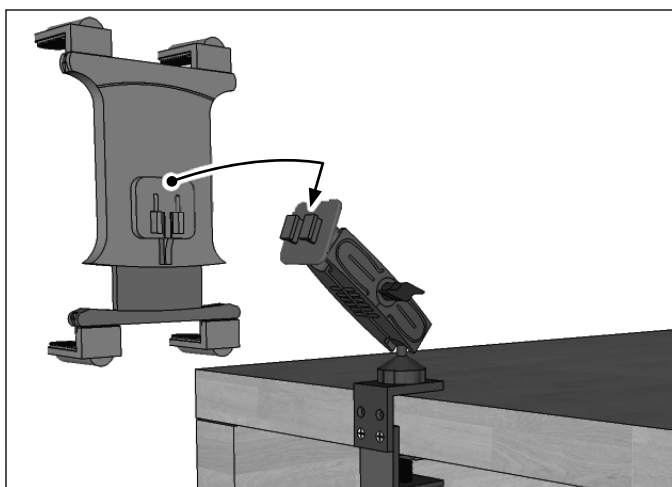
- 1 Attach mount to surface by tightening C-Clamp knob; adjust the clamp bracket if necessary with a Phillips screwdriver.



- 2 Loosen adjustment knob to adjust position. Retighten to set to desired angle.



- 3 Attach any Arkon Dual-T compatible holder (sold separately) by sliding the Dual T-Tabs into the Dual T-Slots.



! Safety Precautions

Arkon is not responsible for any damages caused to your device or yourself due to the installation or use of this pedestal mount.

ARKON
RESOURCES INC. *The Mobile Mounting Specialists™*