



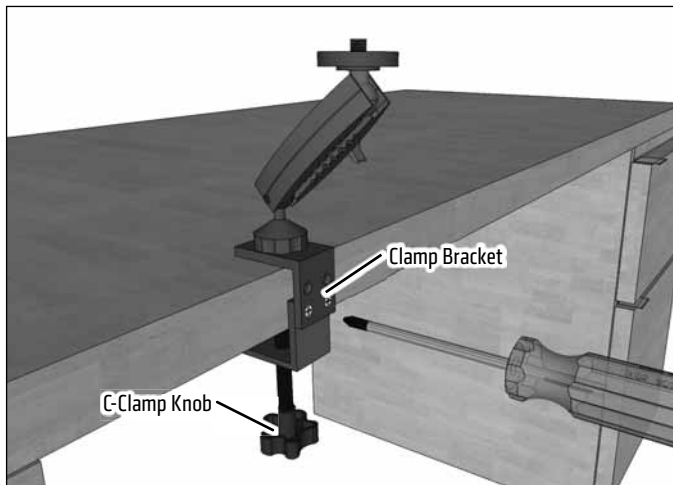
RM0861420
Robust Series
C-Clamp Camera Mount

Package Contents:

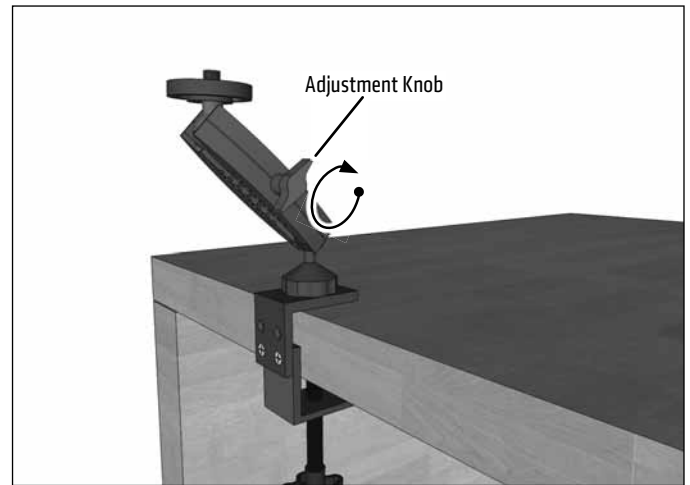
RM0861420 – Heavy-Duty C-Clamp Camera Mount

NOTE: C-clamp opens as wide as 2.25 inches and closes as tight as .25 inches.

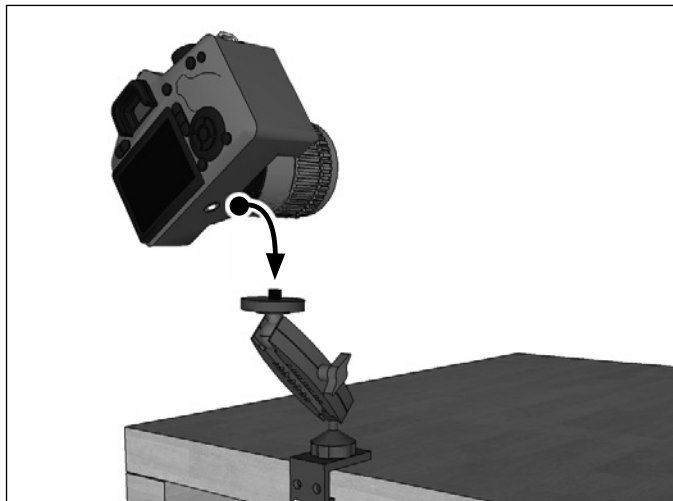
- 1 Attach mount to surface by tightening C-Clamp knob; adjust the clamp bracket if necessary with a Phillips screwdriver.



- 2 Loosen adjustment knob to adjust position. Retighten to set to desired angle.



- 3 Attach camera (sold separately) with a standard 1/4"-20 socket to the screw on the mount head.



Safety Precautions

Arkon is not responsible for any damages caused to your device or yourself due to the installation or use of this pedestal mount.

ARKON
RESOURCES INC.

The Mobile Mounting Specialists™