



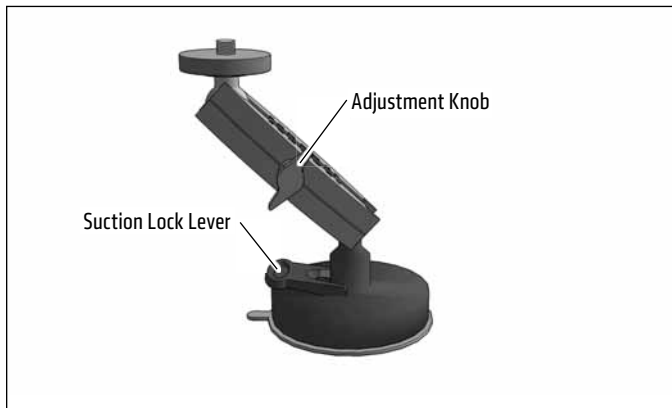
**Package Contents:**

- (1) RM0791420 - Camera Desk or Window Suction Mount for Mevo Live Streaming Camera
- (1) AP020 – 90mm Adhesive Mounting Disk

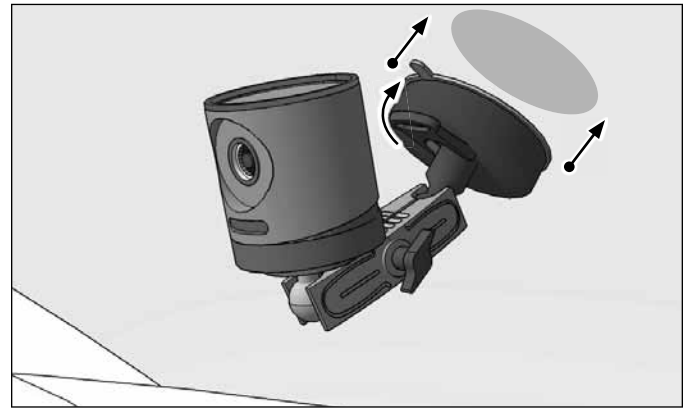
**Device Compatibility:**

Compatible with Livestream’s Mevo live streaming video camera. Also fits any small or medium sized 1/4”-20 thread socket compatible camera.

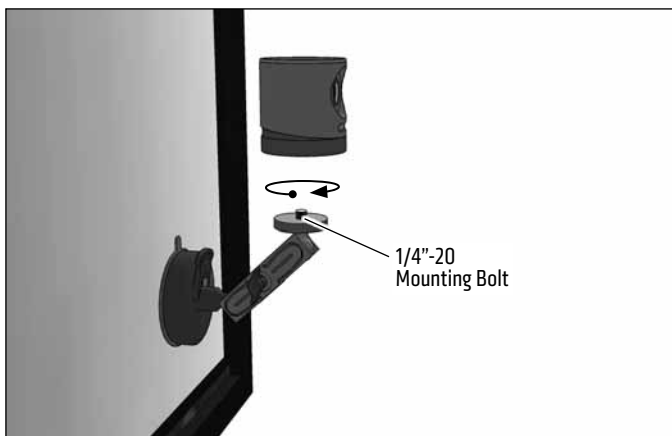
- 1 Loosen adjustment knob to adjust ball adapter. Retighten knob and set mount at desired angle.



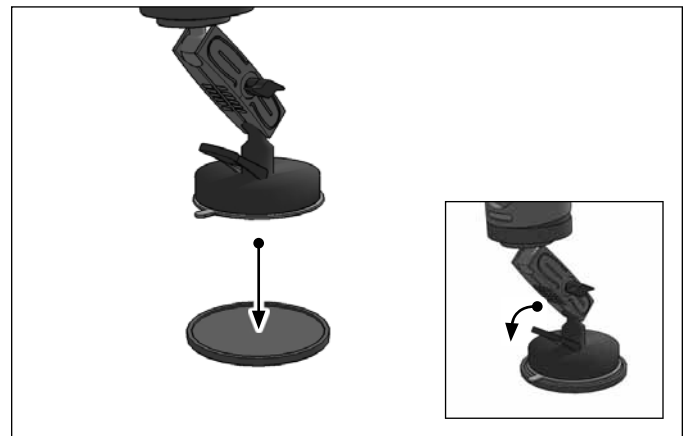
- 2 While pushing down on the pedestal, engage the suction lock lever to secure and attach pedestal to surface.



- 3 Attach Mevo live streaming (not included, sold separately) by screwing the 1/4”-20 mounting bolt into the tripod socket of the camera.



**Optional:** For soft or textured surfaces, use the included adhesive mounting disk. NOTE: Make sure surface is dry and clean prior to adhering disk. Allow disk to cure for 24 hours prior to use.



**Safety Precautions**

Arkon is not responsible for any damages to your device or yourself due to the installation or use of this mount.

**ARKON**  
RESOURCES INC. The Mobile Mounting Specialists™