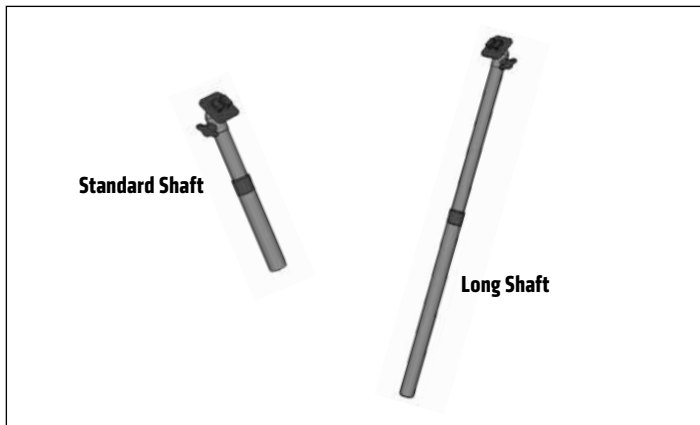




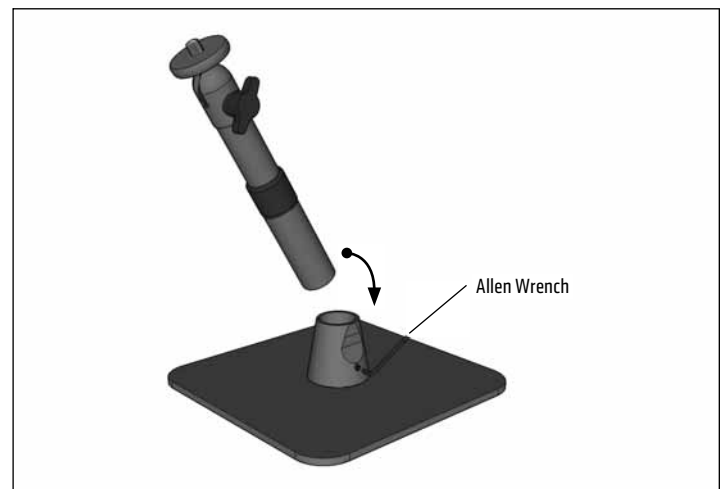
Package Contents:

- (1) HD008 – Telescoping Desk Stand with 1/4"-20 Camera Mounting Bolt
- (1) SPHD8L29 – Extra Long Shaft for HD008 Heavy-Duty Pedestal
- (1) SP-20MCAM – 20mm to 1/4"-20 Camera Mounting Bolt Adapter

- 1** Select telescoping shaft (2 options, select one):
- **Option 1** – 7.5" to 9.75" - STANDARD SHAFT (packed with weighted base inside smaller white box)
 - **Option 2** – 17" to 29" – LONG SHAFT



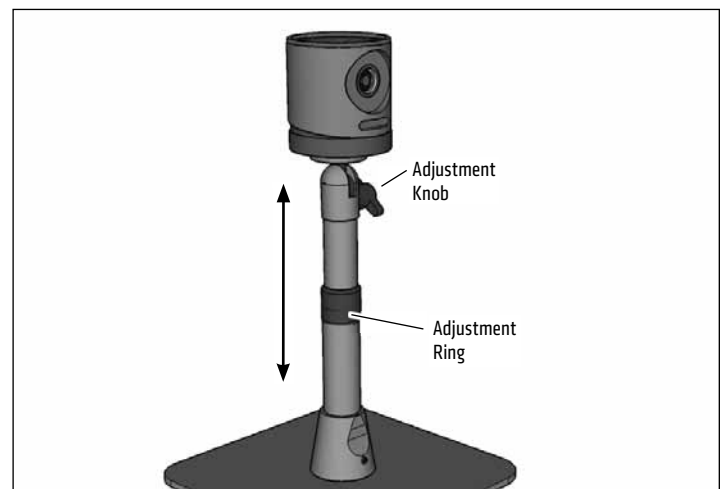
- 2** Insert telescoping arm tube into weighted base. Tighten base 2 lock to secure with included Allen wrench.



- 3** Attach Mevo camera by screwing it onto the 1/4"-20 mounting bolt.



- 4** Adjust the height and angle of the mount by loosening the adjustment ring and the adjustment knob. Retighten to set.



! Safety Precautions
 Arkon is not responsible for any damages caused to your devices or yourself due to the installation or use of this camera stand. Failing to properly secure the base to the shaft could cause bodily injury or harm. Always use two hands (one on shaft, and one on base) when carrying.

ARKON
 RESOURCES INC.

The Mobile Mounting Specialists™