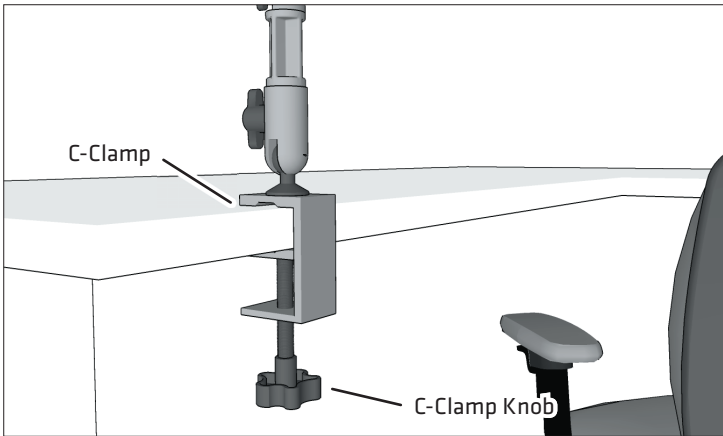


**1 Attach the Mounting Pedestal**

Open the c-clamp on the bottom of the mount by turning the clamp knob counterclockwise. Tighten the clamp knob to secure on mounting area.



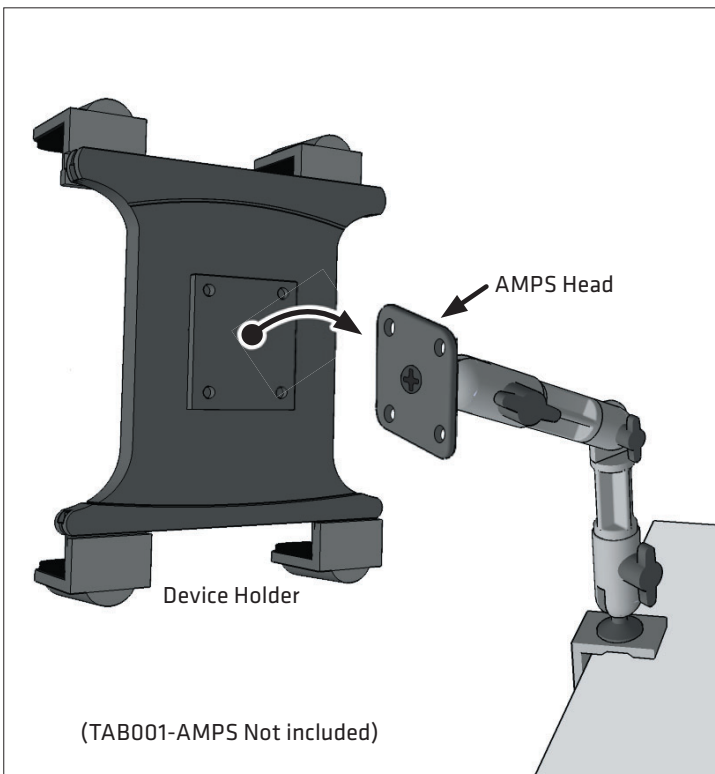
**Package Contents:**

(1) 8" Heavy-Duty Aluminum C-Clamp Mount



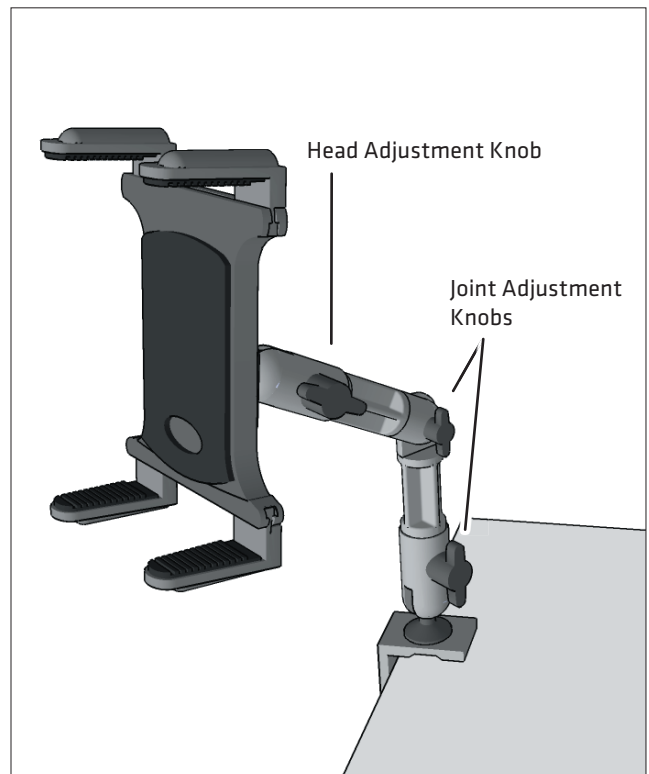
**2 Attach the Holder (sold separately)**

Attach AMPS-compatible adapter or holder to the c-clamp mount. (Screws not included)



**3 Adjust the Mount**

Adjust the c-clamp mount position by loosening the joint adjustment knobs and retightening in the desired position.



**Safety Precautions**

Arkon is not responsible for any damages caused to your device, your vehicle, your passengers, or yourself due to the installation or use of this mount.

**ARKON MOUNTS**