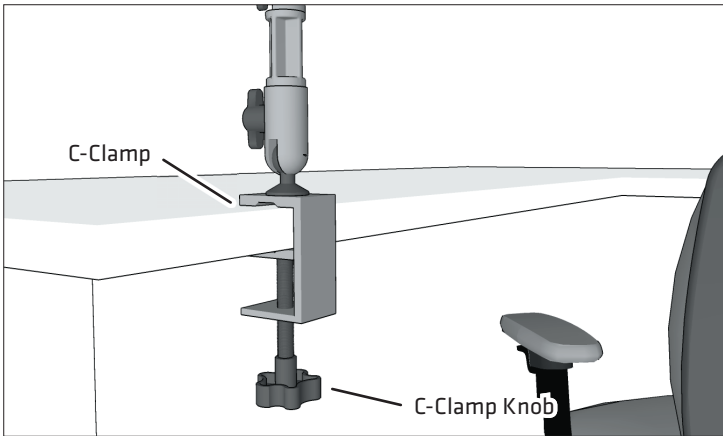


1 Attach the Mounting Pedestal

Open the c-clamp on the bottom of the mount by turning the clamp knob counterclockwise. Tighten the clamp knob to secure on mounting area.



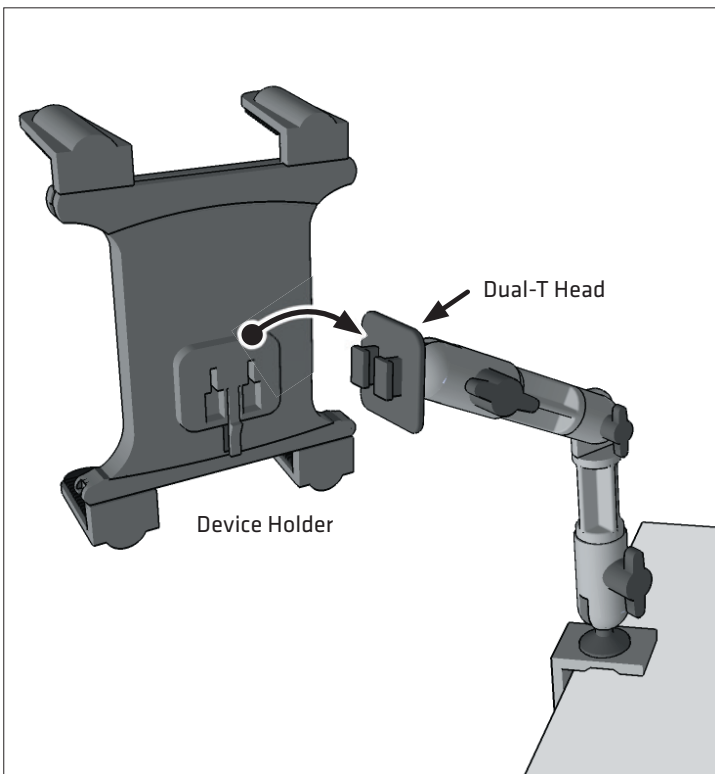
Package Contents:

(1) 8" Heavy-Duty Aluminum C-Clamp Mount



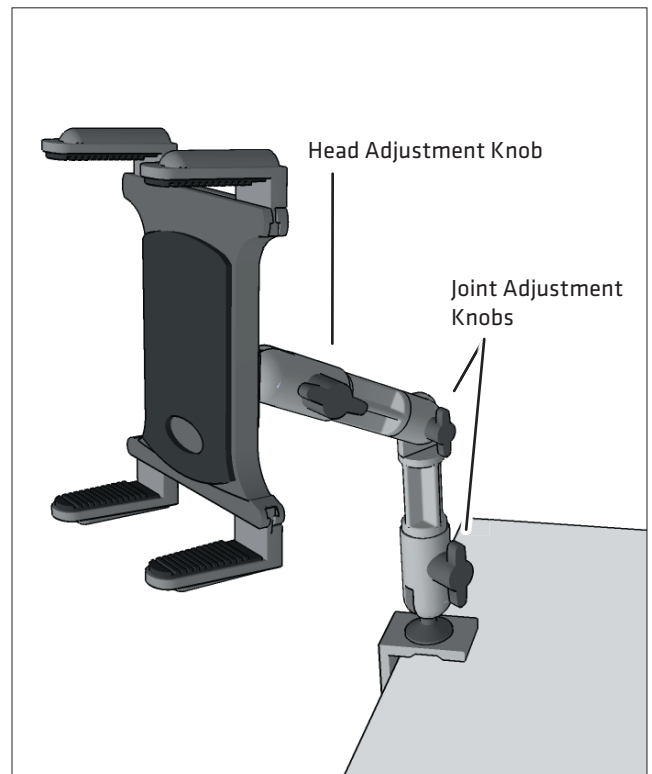
2 Attach the Holder (sold separately)

Attach the holder to the c-clamp mount by inserting the Dual T-Tabs into the holder and sliding the holder down to lock.



3 Adjust the Mount

Adjust the c-clamp mount position by loosening the joint adjustment knobs and retightening in the desired position.



Safety Precautions

Arkon is not responsible for any damages caused to your device, your vehicle, your passengers, or yourself due to the installation or use of this mount.

ARKON MOUNTS