

CMPHD006 | 8" Heavy-Duty Aluminum Wall or Flat Surface Mount for Cameras

Package Contents:



CMPHD006
8" Heavy-Duty Aluminum
Wall or Flat Surface
Mount for Cameras

(Camera not included)

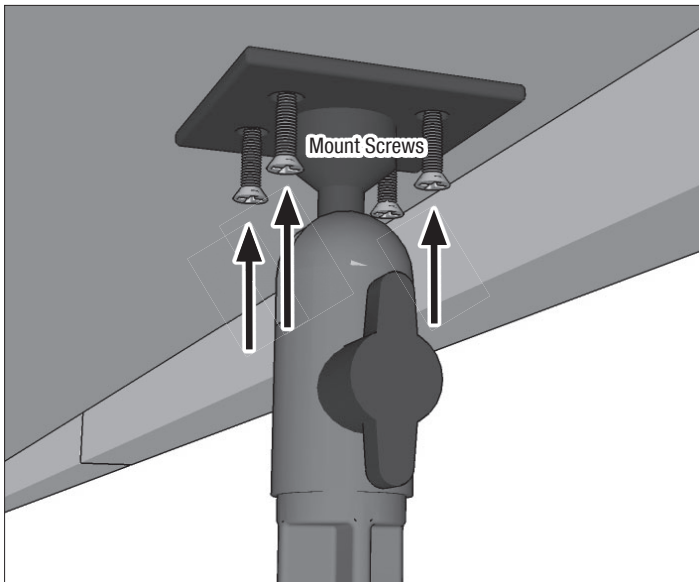


WARNING:

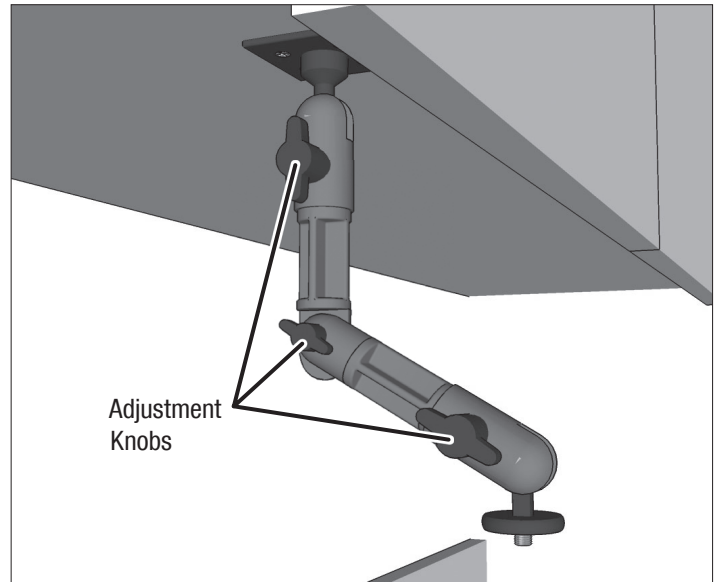
Drilling into the vehicle dash or console is a permanent installation. Use caution and consult a mobile install professional to avoid drilling into the gas tank, electrical system or other highly sensitive vehicle components.

Arkon Resources, Inc. is not responsible for any damages caused to your vehicle, furniture, or yourself due to the installation of this pedestal mount.

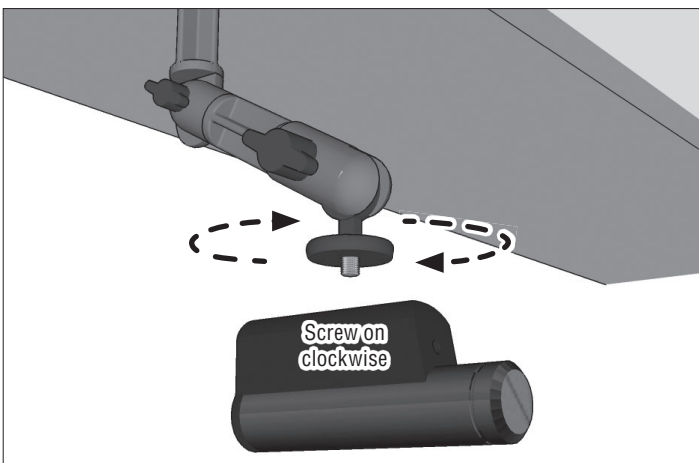
- 1 Screws of 2 lengths included. Use appropriate screws to secure mount to mounting surface. Use anchors if necessary.



- 2 Adjust mount to desired position via the adjustment knobs.



- 3 Attach camera or other device with 1/4" 20 mounting pattern to the mounting screw (device not included).



Safety Precautions

Arkon is not responsible for any damages caused to your vehicle, your device, or yourself due to the installation or use of this mount.

Do not install Arkon products over an air bag cover or within the air bag deployment zone. Arkon Resources, Inc. assumes no responsibility of liability for injury or death as a result of car crashes and / or air bag deployment.

ARKON® MOUNTS

Discover other cameras and camcorders on our website.