

SHAPESHIFT™

MODULAR HOLSTER SYSTEM



FLEX FORM

The flexible design of the ShapeShift™ IWB conforms to your waist and requires zero break-in time.

COOLVENT™ NEOPRENE

This perforated material allows for airflow, keeping you cool and comfortable all day.

STEEL CORE RETENTION

A patented steel core provides enhanced retention to the concealed carrier.



4.0 IWB HOLSTER



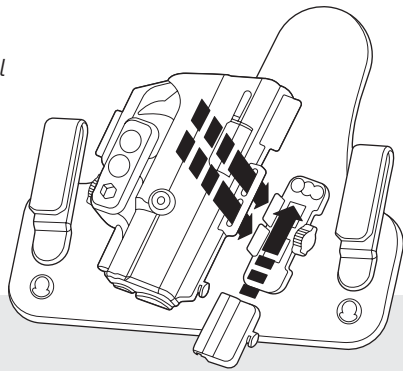
ALIENGEAR
HOLSTERS

Configure Your Shift Shell

► For a list of part names, please refer to the back of this user guide.

To carry inside the waistband (IWB), you will need to utilize the half shell configuration. If you ordered the complete **ShapeShift™ 4.0 IWB Holster**, your shell will come pre-assembled in this configuration.

If you purchased the **4.0 IWB Carry Expansion pack**, you will need to configure your separately sold Shift Shell using the steps below.



Half Shell Configuration

- 1 Untwist the twist locks from the top and bottom of your Shift Shell, then slide the two shells apart.

Caution:

Take care not to pinch your skin while sliding the shell.



- 2 Select the Shift Shell that includes the pre-installed Adjustable Retention Unit. Slide the trigger guard onto this half shell using the two interlocking rails.



- 3 Secure the trigger guard with a twist lock on the bottom of the trigger guard area.



IWB Holster Assembly

This carry position requires the half shell configuration. Make sure the trigger guard is attached to the shell. For more information, please refer to the previous page.



1 Prepare the holster base.

Remove the connector lock from the IWB holster base.



2 Attach the Shift Shell

Press the half Shift Shell onto the holster connector.



3 Secure the shell.

To secure the shell, slide the connector lock onto the holster connector.



4 Don't forget the twist lock!

Add the final twist lock to the outside of the holster connector and rotate clockwise to lock it in place.



5 Customize your retention!

Customize the retention on your Adjustable Retention Unit by twisting the wheel with a spare twist lock.

Tip: Carrying inside-the-waistband naturally increases your holster's retention. Be sure to test your retention by wearing your holster before making final adjustments. Refer to "Retention Tips" on the following page.



Customize Your ShapeShift's Retention

If you purchased the complete ShapeShift™ 4.0 IWB Holster, your Shift Shell is equipped with an Adjustable Retention Unit. Learn how to customize your retention level using the steps below.

Your Adjustable Retention Unit

Your Adjustable Retention Unit can be tightened by turning the wheel with a twist lock. Spin clockwise to increase your holster's retention.

Additionally, the Adjustable Retention Unit can be repositioned to the opposite side of the trigger guard for further optimization.

To Detach your Adjustable Retention Unit, untwist the twist locks from the top and bottom of your Shift Shell, then slide the two shells apart. Next, unscrew the 1/2" flat head screw from the Shift Shell using the Allen Key provided in your spare parts pack.



Retention Tips

- 1** **Many factors can affect your holster's retention:**
 - draw angle
 - firearm model
 - carry position
- 2** *Be sure to practice drawing your firearm while wearing your holster just as you would in a real-life scenario.*
- 3** *Pay attention to the twist of your wrist as you draw your firearm as this will greatly affect the performance of your retention settings.*



How to Wear Your IWB Holster

Picturing your waist as a clock with your belt buckle at noon, the best position to wear the Alien Gear Inside-the-Waistband (IWB) Holster is the 4:30 position. To keep your handgun hidden, pick a location where it will lie flat against your body. Be sure to wear a sturdy belt.

Ensure your firearm is unloaded and safe prior to the following steps.

- 1 Leave your pants unbuttoned and unzipped. Insert the holster into the front of your pants, just to the right of the zipper. Slide the holster around to your desired location.



- 2 Pull the clip over your belt, and attach the second clip. Button and zip your pants, then buckle your belt. Tug on the holster to ensure the clips are securely fastened.



- 3 Carefully and slowly, insert the pistol and make sure there is no clothing or obstruction in the holster that can catch the trigger. Now, tuck your shirt in or drape the fabric over the holster.



How to Adjust Your IWB Holster

Cant

Cant is the angle your handgun is pointed. This will require you to detach the clips from the holster base. Remove the clips by positioning them 180 degrees downward, then pull straight out.

To increase the cant, raise the front clip, lower the back clip, or do both. To decrease the cant, lower the front clip, raise the back clip, or do both.

Ride Height

Ride Height is how high or low the holster sits on your belt. To raise the ride height, lower both clips. To lower the ride height, raise both clips.



4.0 IWB Holster Assembly Kit

Note: Parts shown are not to scale.

IWB Holster Base



x1

Complete Holster Parts (Not included in Expansion Pack)

Shift Shell



x1

Trigger Guard



x1

Adjustable Retention Unit



x1

Standard Adjustable Clip



x2

Holster Connector



x1

Flat Head Screw
8-32 1/2"



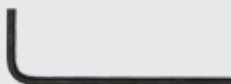
x1 with Expansion Pack x2

Connector Lock



x1

Allen Key



x1

8-32 Narrow Hex Nut



x1 with Expansion Pack x2

Twist Lock



x1 with Expansion Pack

x3

Large Gun Spacer
(depending on gun)



x2

Button Head Screw
8-32X1/2"



x2