



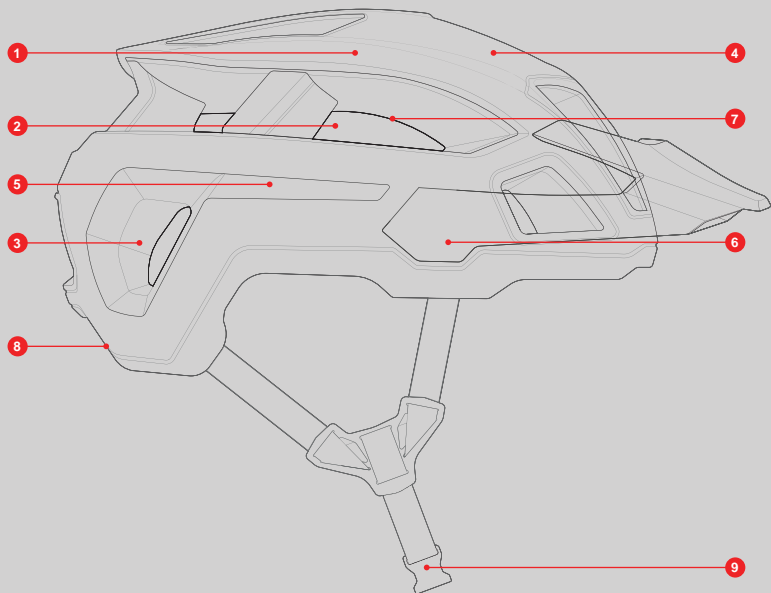
A L T E C

USERS MANUAL

**HELMET FEATURES**

1. Smartshock® Rotational Protective System (14 point)
2. Massive airflow with an impressive 15 ventilation ports
3. Multi-Density EPS foam injection molded with polycarbonate in size specific molds (XS/S, S/M and L/XL)
4. Expanded coverage while still lightweight
5. Integrated sunglass storage system
6. Multi-point adjustable visor designed for maximum vision and goggle stowage
7. Washable, moisture-wicking anti-microbial liner
8. Adjustable ratcheting fitment system
9. Nexus push release snap-buckle





A L T E C



## **WARNING**

Use at your own risk: Read the owner's manual before using this helmet.

This helmet complies with U.S. CPSC Safety Standard for bicycle helmets for persons' age 5 and older.

This helmet has passed EN1078:2012+A1:2012 in conformance with Regulation EU 2016/425.

This product meets or exceeds CE EN1078:2012+A1:2012, CPSC 1203, AS/NZS 2063:2008 Standards may vary by region.

THIS HELMET IS INTENDED FOR BICYCLES ONLY AND NOT FOR MOTORIZED VEHICLES INCLUDING MOTORCYCLES OR MOPEDS.



## **WARNING FOR PARENTS**

This helmet should not be worn by children while climbing or doing other activities. There is a risk of hanging or strangulation if the child gets trapped while wearing this helmet.



## **WARNING**

Bicycle helmet—NOT intended for use in motor sports or by motorcyclists. Substances such as petrol, paint, adhesives, or cleaning agents can seriously damage helmet. Make no modifications. Fasten helmet securely under the jaw.



This helmet is made specifically for the mountain biking rider's protection and made for bicycling only. It cannot guarantee the same safety standards for a different use. In an accident, the helmet alone does not eliminate the risk of serious or even mortal injuries.

Because every accident scenario is different, it is impossible to know whether use of a helmet will provide partial or complete protection. Studies have shown that you are better off with a helmet than without one.

This helmet can't protect the user from all injury or death in case of accident. Depending on the type of impact, serious injury or death may even occur in low speed accidents. This helmet will not protect against injury from all types of foreseeable or unforeseeable accidents. It is critical that you ride responsibly and within your skill level and abilities.

Follow all cycling rules and laws on the street, track and on the trails. Dangerous and extreme sports can result in serious injury or death.

Sharp objects can pierce this helmet. For maximum protection, the helmet must be fitted and attached properly to the wearer's head in accordance with the owner manual.

Any of the original components of this helmet should not be modified or removed, otherwise recommended by the manufacture.

THIS HELMET MAY, AFTER RECEIVING ANY IMPACT, BE DAMAGED TO THE POINT THAT IT IS NO LONGER ADEQUATE TO PROTECT THE HEAD AGAINST ANY FURTHER IMPACTS, AND THAT THIS DAMAGE MAY NOT BE VISIBLE TO THE USER. A HELMET THAT HAS SUSTAINED ANY IMPACT SHOULD BE RETURNED TO THE MANUFACTURE FOR INSPECTION, OR BE DESTROYED AND REPLACED.

## ***AS/NZS 2063:2008 WARNINGS AND STANDARDS***

- (a) NO HELMET CAN PROTECT THE WEARER AGAINST ALL POSSIBLE IMPACTS.
- (b) THE HELMET IS DESIGNED TO BE RETAINED BY A STRAP UNDER THE LOWER JAW.
- (c) TO BE EFFECTIVE, A HELMET MUST FIT AND BE WORN CORRECTLY. TO CHECK FOR CORRECT FIT, PLACE HELMET ON HEAD AND MAKE ANY ADJUSTMENTS INDICATED. SECURELY FASTEN RETENTION SYSTEM. GRASP THE HELMET AND TRY TO ROTATE IT TO THE FRONT AND REAR. A CORRECTLY FITTED HELMET SHOULD BE COMFORTABLE AND SHOULD NOT MOVE FORWARD TO OBSCURE VISION OR REARWARD TO EXPOSE THE FOREHEAD
- (d) NO ATTACHMENTS SHOULD BE MADE TO THE HELMET EXCEPT THOSE RECOMMENDED BY THE HELMET MANUFACTURER.
- (e) THE HELMET IS DESIGNED TO ABSORB SHOCK BY PARTIAL DESTRUCTION OF THE SHELL AND LINER. THIS DAMAGE MAY NOT BE VISIBLE. THEREFORE, IF SUBJECTED TO A SEVERE BLOW, THE HELMET SHOULD BE DESTROYED AND REPLACED EVEN IF IT APPEARS UNDAMAGED.
- (f) THE HELMET MAY BE DAMAGED AND RENDERED INEFFECTIVE BY PETROLEUM AND PETROLEUM PRODUCTS, CLEANING AGENTS, PAINTS, ADHESIVES AND THE LIKE, WITHOUT THE DAMAGE BEING VISIBLE TO THE USER.
- (g) A HELMET HAS A LIMITED LIFESPAN IN USE AND SHOULD BE REPLACED WHEN IT SHOWS OBVIOUS SIGNS OF WEAR.
- (h) THIS HELMET SHOULD NOT BE USED BY CHILDREN WHILE CLIMBING OR DOING OTHER ACTIVITIES WHERE THERE IS A RISK OF HANGING OR STRANGULATION IF THE CHILD GETS TRAPPED WHILE STILL WEARING THE HELMET.

## **HELMET SIZE AND FITTING**

### **ATTENTION – READ CAREFULLY!**

For maximum protection, the helmet must be fitted and attached properly to the wearers head. Users should try different sizes and choose the size that feel secure and comfortable on the head. The helmet should be adjusted to fit the user, e.g. the straps positioned so that they do not cover the ears, the buckle positioned away from the jawbone and the straps and buckle adjusted to be both comfortable and firm. The helmet should be positioned on the head to ensure the intended protection is provided. The helmet should not be adapted for the purpose of fitting accessories in a way not recommended by the manufacturer.



**FIGURE A**  
• CORRECT POSITION



**FIGURE B**  
• INCORRECT POSITION



**FIGURE C**  
• INCORRECT POSITION

## **INITIAL FIT**

Grabbing one chinstrap in each hand, gently pull each strap outward and then pull the helmet over your head. Gently shake your head to the right and to the left. Then shake your head forward and back, or try to turn the helmet with your hands. Rotating the helmet from side to side, observe the movement of your skin in relation to the helmet. The initial helmet fit is correct when skin movement and helmet movement are nearly the same. If it slips in any direction easily, try the next size down.

## **CHIN STRAPS**

Position the chinstraps underneath your chin, towards your neck, and secure the buckle. Tightly fasten the chin strap by pulling it comfortably tight for a secure and snug fit. The chinstrap should be as tight as possible, but without causing pain. Move your head up and down and side-to-side to ensure that the strap does not interfere with your ability to breathe, talk, swallow or turn your head. If so, re-adjust the straps. Make sure the strap and strap covers are flat against your skin and are not twisted or bunched in any way.

## **FINAL FIT**

With the buckle secured and chinstrap properly and securely fastened, check for the final fit. Grab the front of the helmet, push up and rotate the helmet to the rear. Then lift up firmly on the rear of the helmet, push forward and try to rotate the helmet off. You should not be able to remove the helmet from your head while doing either of these steps. If you can remove the helmet or if it slips in any direction easily, try the next size down.

Using the rear adjuster dial, rotate clockwise to tighten and counter clockwise to loosen.

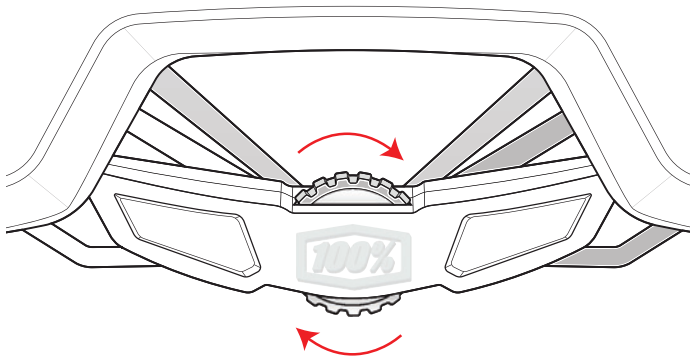
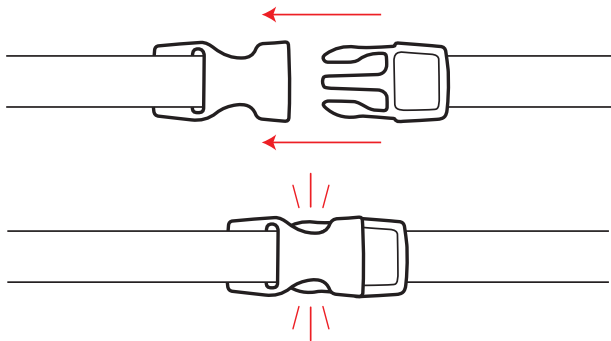
With the straps properly fastened, you should not be able to pull the helmet off of your head in any direction.

**IF THE HELMET STILL DOES NOT FIT PROPERLY AFTER THE ABOVE STEPS. DO NOT USE THE HELMET.** Replace it with a different size or a different model. Failure to do so may result in serious injury or death in the event of an accident. To ensure the continued proper fit of this helmet, you should check the fit during the course of riding and every time it is worn and adjust as needed. To ensure maximum safety, the helmet should be fit by trying several different sizes on and choosing the size which feels secure and comfortable on the head.

## **Warning**

A helmet cannot always protect against injury. Any helmet subjected to a severe impact should be discarded and destroyed. The original components of this helmet should not be modified or removed, other than as recommended by the manufacturer. The helmet should not be adapted for the use of accessories in a way not recommended by the manufacturer. The chinstrap must be used as furnished and instructed. Do not use a chin cup or wear the strap on the point of your chin.



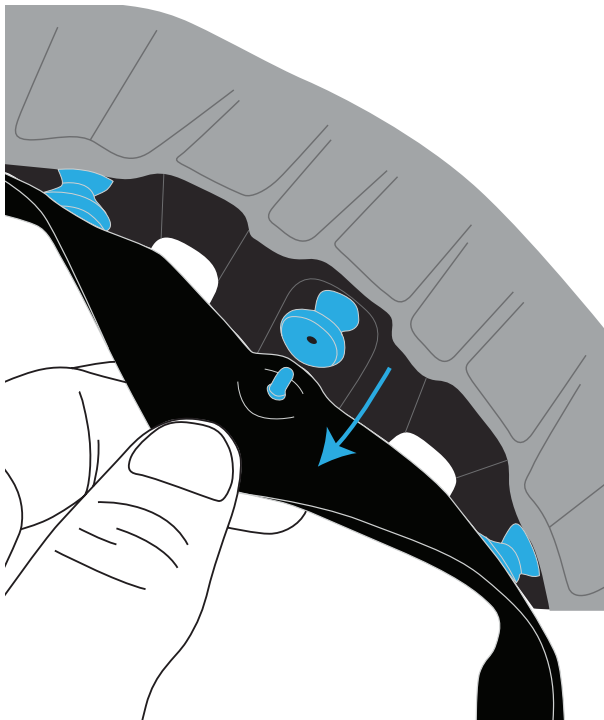


**⚠ WARNING: DO NOT MAKE ANY MODIFICATION TO THIS HELMET INCLUDING THE CHIN STRAP, IMPACT-ABSORBING LINER, AND EXTERIOR SHELL.**

Do not cut, drill or extract parts from the impact-absorbing liner or composite outer shell; you could reduce the helmet's ability to absorb impact energy. Any modification to the helmet will void all warranties.

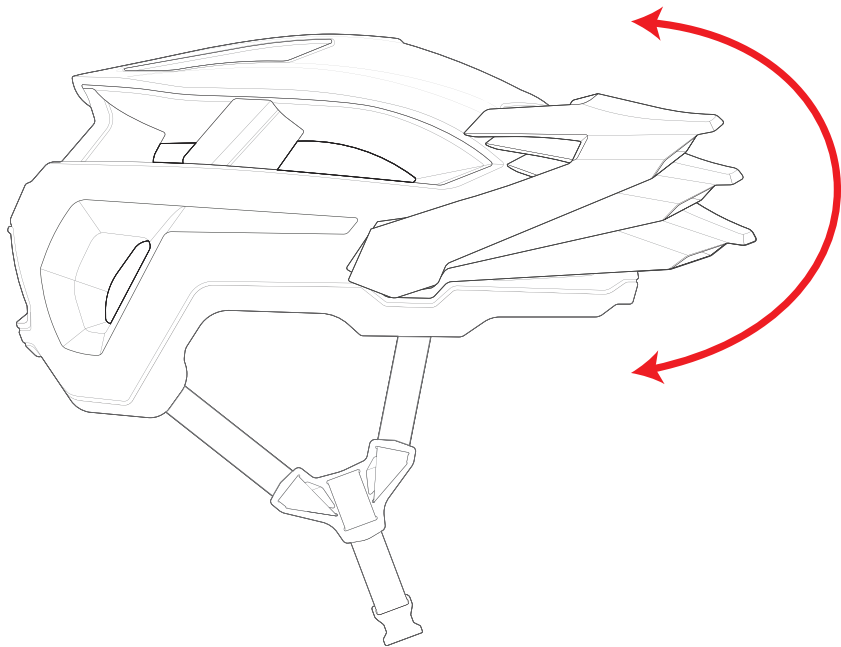
## COMFORT LINER

The comfort liner is secured to the Smartshock® rotational system and removal is possible by gently pulling up each circular plastic liner cap. The reverse is also true with re-installing the liner by pressing each male liner cap onto the female rotational component that is integrated within the helmet.



## ***VISOR ADJUSTMENT AND REPLACEMENT***

The visor is easily adjustable by grasping the visor and lifting up or down until the visor snaps into the final low, middle or high position. In the event of a need for a replacement visor, it can be removed by snapping off each side and repeated by snapping in replacement.



## **HELMET CARE AND IMPACT**

### **WARNING**

DO NOT WEAR THE HELMET AFTER AN IMPACT FOR ANY REASON, EVEN IF THERE IS NO VISIBLE DAMAGE TO THE SHELL. THE HELMET IS MADE FOR ABSORBING IMPACT THROUGH AN ALTERATION OR PARTIAL DESTRUCTION OF SOME OF ITS PARTS, AND DAMAGE MAY NOT BE VISIBLE. FOR THIS REASON, THE HELMET MUST BE DESTROYED OR REPLACED AFTER IMPACT. IF YOU HAVE ANY QUESTIONS WHETHER YOUR HELMET SHOULD BE REPLACED, YOU CAN CALL YOUR LOCAL DEALER OR 100% FOR FURTHER INSPECTION.

### **WARNING**

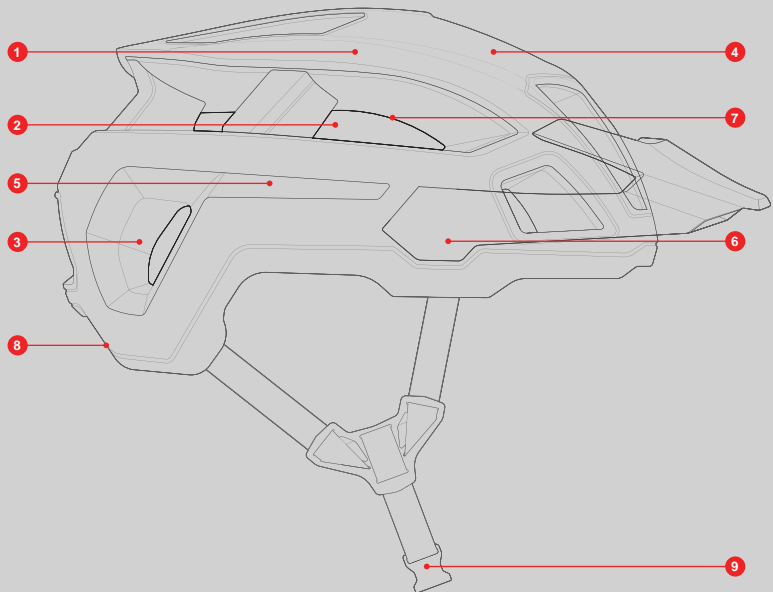
DO NOT MAKE ANY MODIFICATION TO THIS HELMET. Do not make any modification on the chin strap, or interior. Do not cut, drill or extract any parts from helmet. Doing so could reduce the Impact absorption features of the helmet. No attachments shall be made to the helmet except those recommended by the manufacturer and any modification to the helmet will void all warranties. Do not expose this helmet to direct or indirect heat, such as leaving it in the sun or a hot car. Heat may damage the internal substructure and damage or destroy the helmet. This helmet has a limited life span and should be replaced when it shows obvious signs of wear, or has been subject to any impact or accident. The helmet shall be replaced after 5 years from the production date. Use only genuine parts and accessories.

### **WARNING**

Helmet can be damaged by contact with common substances. This damage may not be visible to the user. The most common substances that may damage the helmet include; ammonia, bleach, cleaners and solvents. Which will nullify the warranty conditions and can cause damage to the helmet potentially rendering the helmet ineffective in an accident. The protection of this helmet may be severely reduced by the application of paint, adhesive stickers or transfers, cleaning fluids or other solvents. Clean the interior and exterior of your helmet regularly. Use a soft cloth with a mild detergent and lukewarm water solution to clean both the inside and outside of your helmet. The fit pads are easily and fully removable, as well as being completely hand washable. Carefully hand wash and air-dry the fit pads when needed. Moist fit pads should be removed and dried, out of direct sun exposure.

### **CRASH REPLACEMENT POLICY**

Here at 100% we understand accidents happen. If you were in an accident and your helmet suffered from any impact, please contact 100% directly and request a CRA (Crash Replacement Authorization) Number and we will inspect it. Once inspected, if the damage shows it was indeed from an accident and not intentional, you may be eligible for a 30% discount on a replacement helmet.



A L T E C

On our website you can discover more about bike helmets.